

SHINDENGEN

Super Fast Recovery Rectifiers

Dual

DF10LC20U

200V 10A

FEATURES

- SMT
- Low noise
- trr35ns

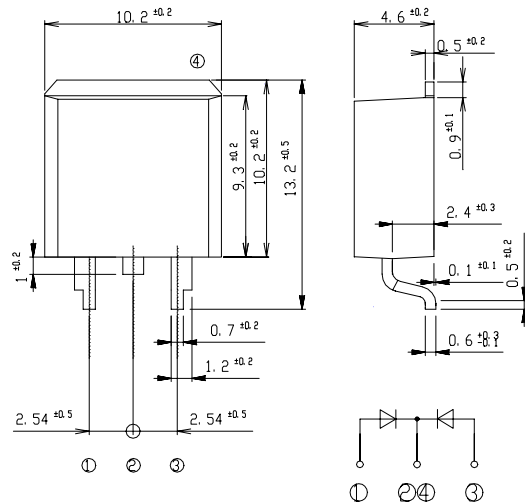
APPLICATION

- Switching power supply
- DC/DC converter
- Free Wheel
- Home Appliances, Office Equipment
- Telecommunication, Factory Automation

OUTLINE DIMENSIONS

Case : STO-220

Unit : mm



RATINGS

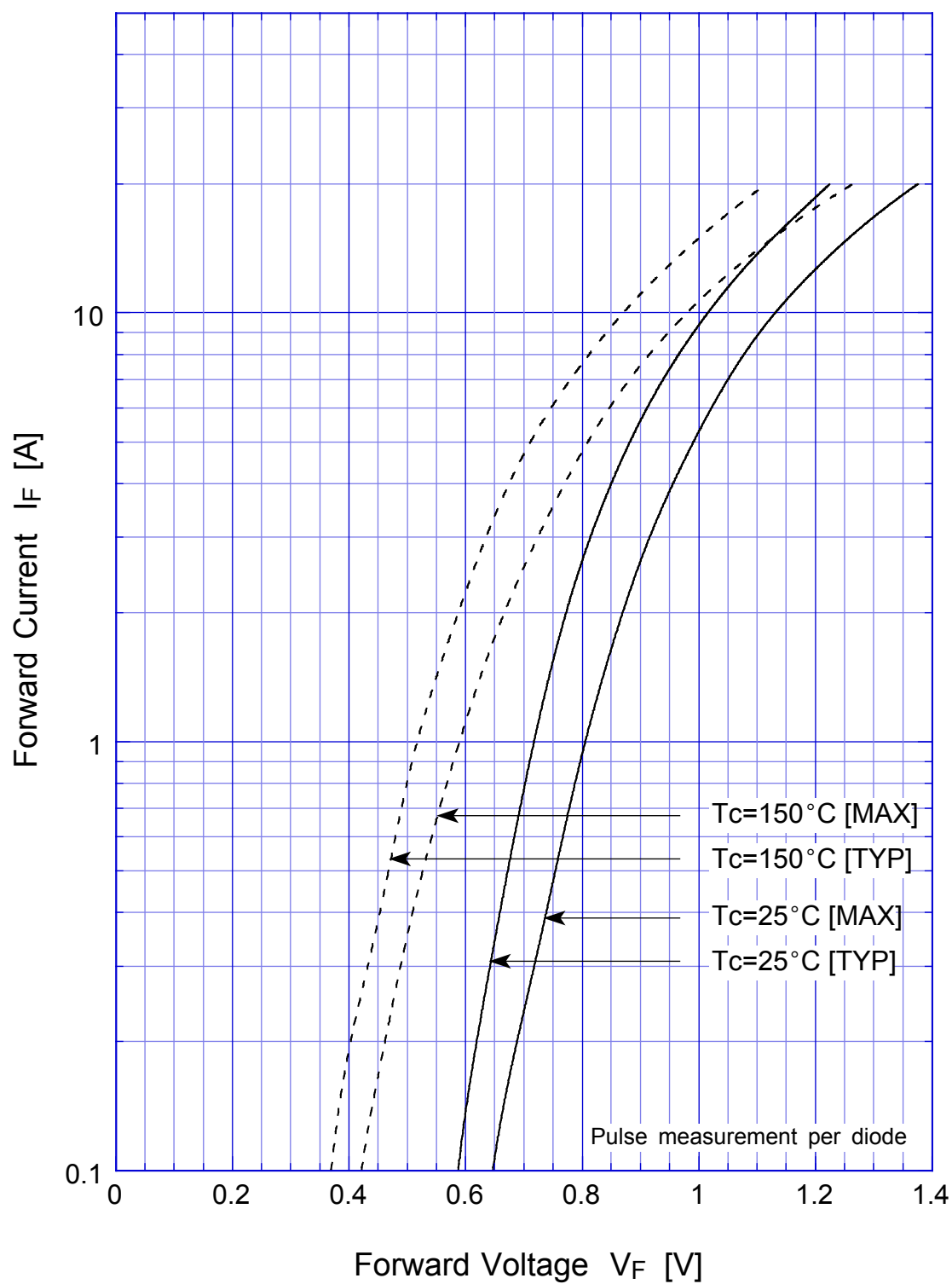
● Absolute Maximum Ratings (If not specified Tc=25°C)

Item	Symbol	Conditions	Ratings	Unit
Storage Temperature	Tstg		-40~150	°C
Operating Junction Temperature	Tj		150	°C
Maximum Reverse Voltage	VRM		200	V
Average Rectified Forward Current	Io	50Hz sine wave, R-load, Rating for each diode Io/2, Tc=127°C	10	A
Peak Surge Forward Current	IFSM	50Hz sine wave, Non-repetitive 1 cycle peak value, Tj=25°C	80	A

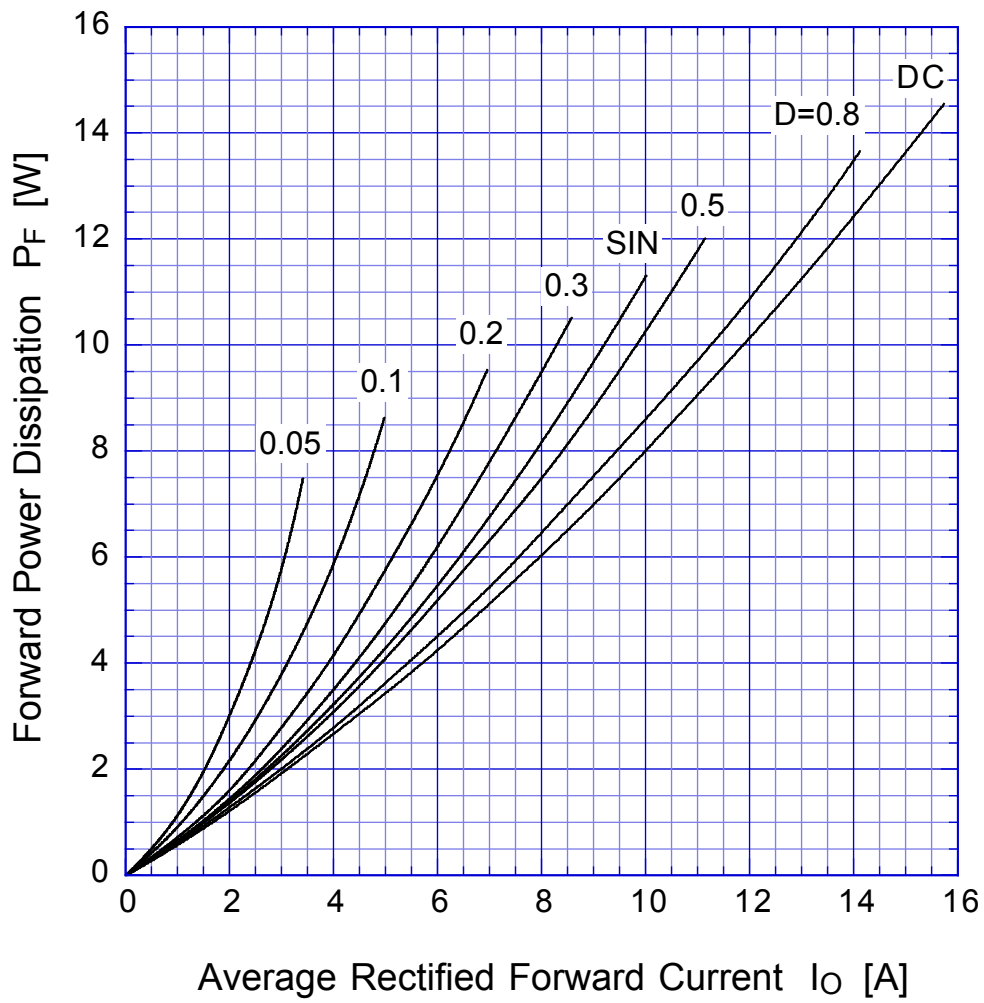
● Electrical Characteristics (If not specified Tc=25°C)

Item	Symbol	Conditions	Ratings	Unit
Forward Voltage	VF	IF=5A, Pulse measurement, Rating of per diode	Max.0.98	V
Reverse Current	IR	VR=VRM, Pulse measurement, Rating of per diode	Max.10	μA
Reverse Recovery Time	trr	IF=0.5A, IR=1A, Rating of per diode	Max.35	ns
Thermal Resistance	θjc	junction to case	Max.2	°C/W

DF10LC20U Forward Voltage



DF10LC20U Forward Power Dissipation

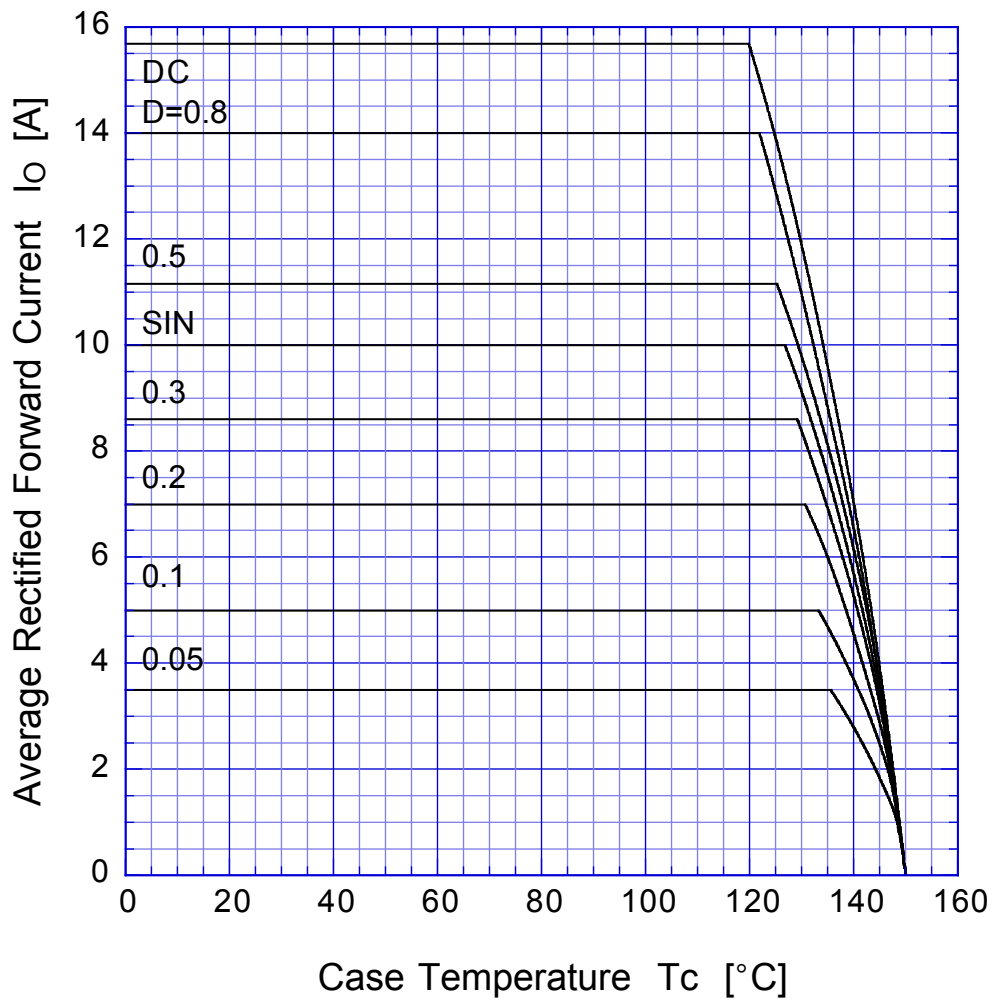


$T_j = T_{jmax}$



DF10LC20U

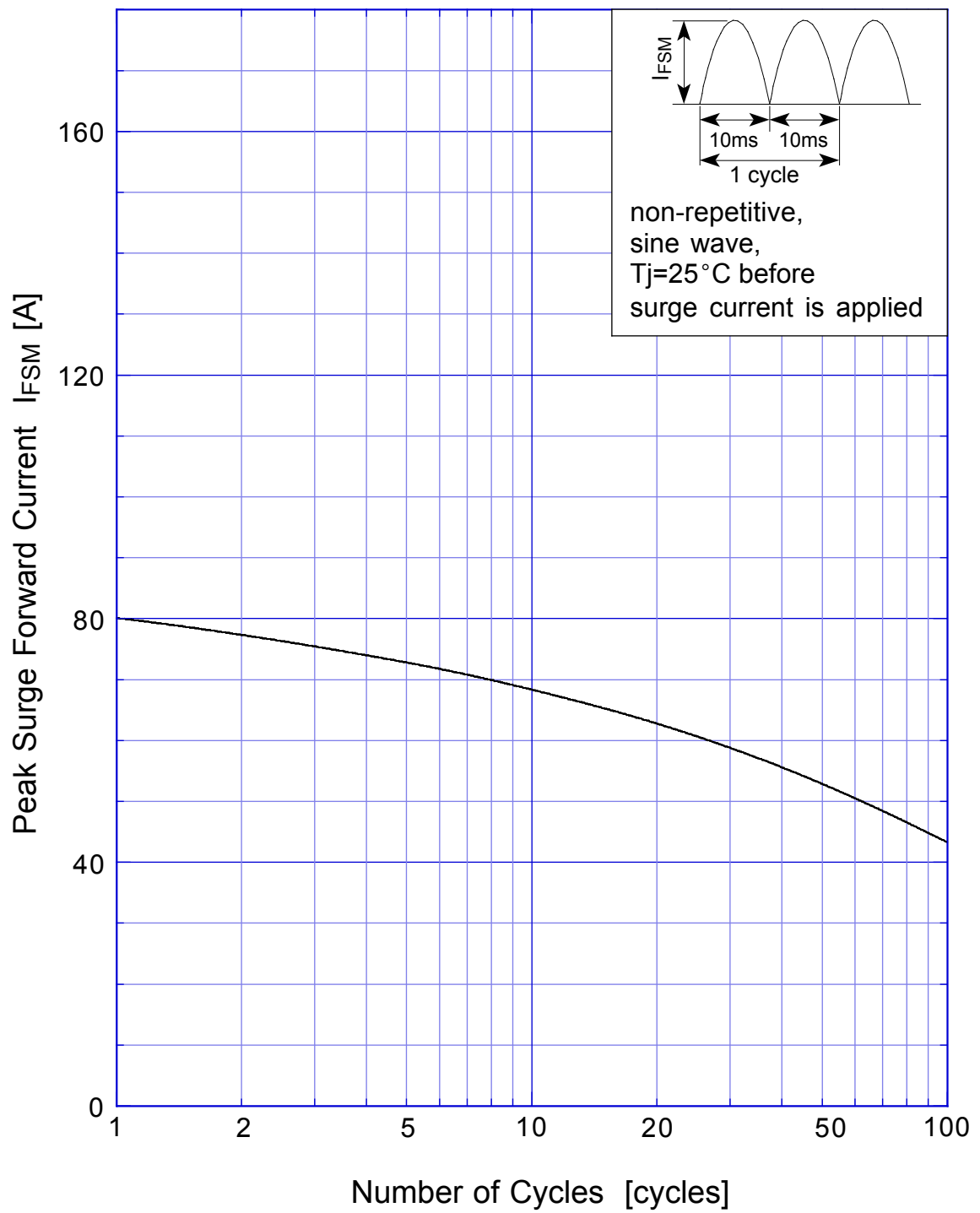
Derating Curve



$$V_R = V_{RM}$$



DF10LC20U Peak Surge Forward Capability



DF10LC20U Junction Capacitance

