

SHINDENGEN

Super Fast Recovery Rectifiers

Single

DF10L60

600V 10A

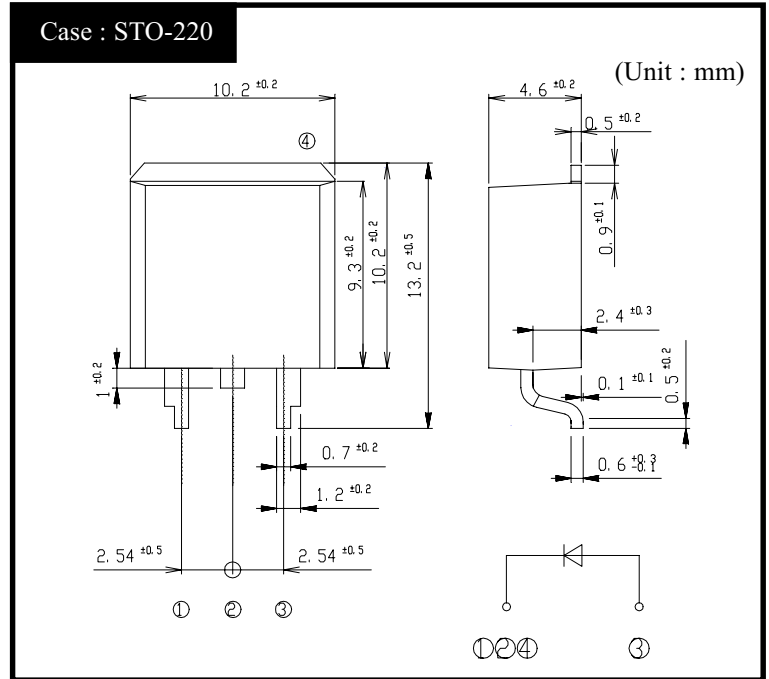
FEATURES

- SMT
- High Voltage
- trr50ns

APPLICATION

- PFC
- Switching power supply
- Free Wheel
- Home Appliances, Office Equipment, Factory Automation

OUTLINE DIMENSIONS



RATINGS

● Absolute Maximum Ratings (If not specified Tc=25°C)

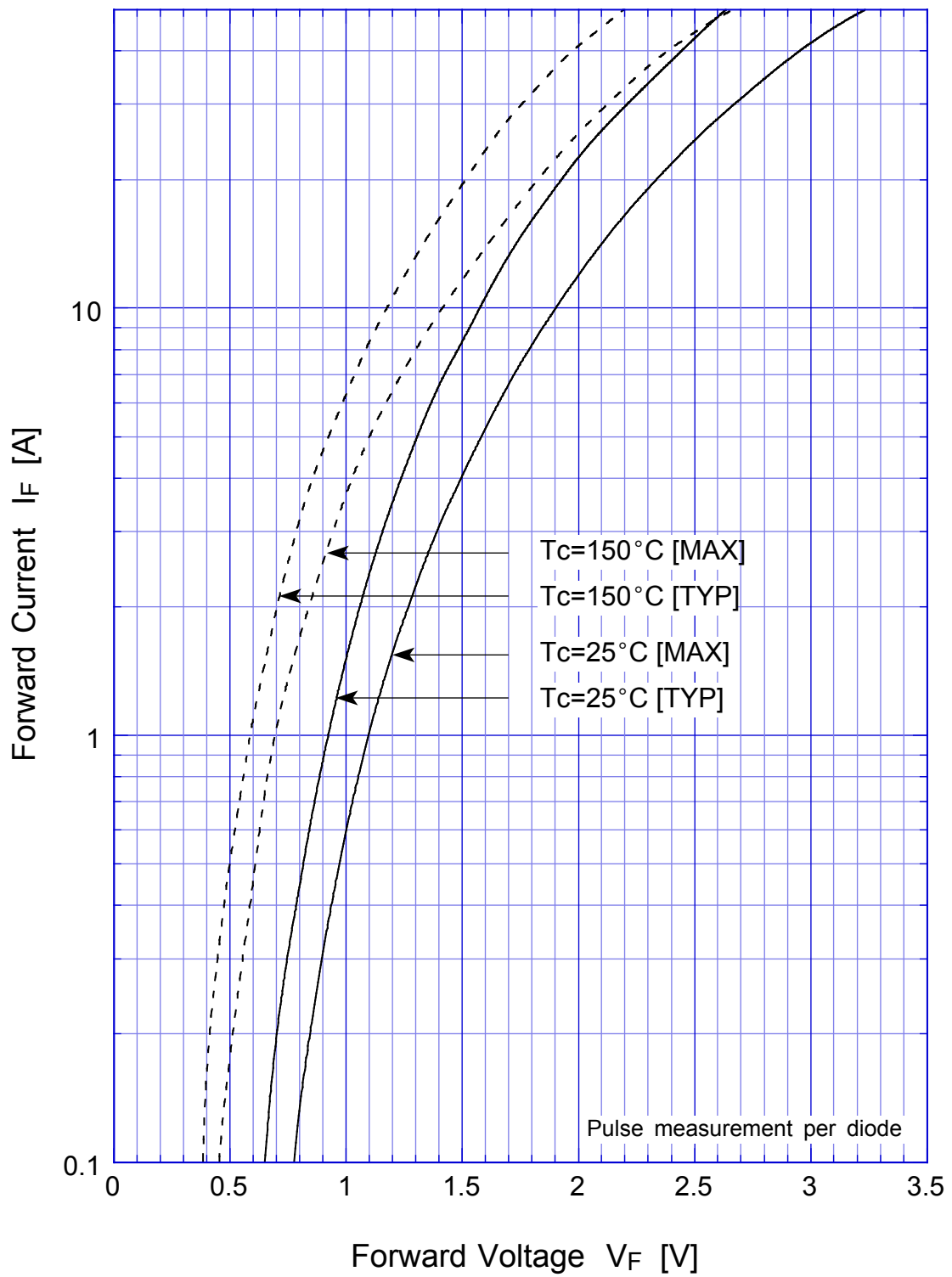
Item	Symbol	Conditions	Ratings	Unit
Storage Temperature	T _{stg}		-55~150	°C
Operating Junction Temperature	T _j		150	°C
Maximum Reverse Voltage	V _{RM}		600	V
Average Rectified Forward Current	I _O	50Hz sine wave, R-load, Tc=105°C	10	A
Peak Surge Forward Current	I _{FSM}	50Hz sine wave, Non-repetitive 1 cycle peak value, Tj=25°C	100	A

● Electrical Characteristics (If not specified Tc=25°C)

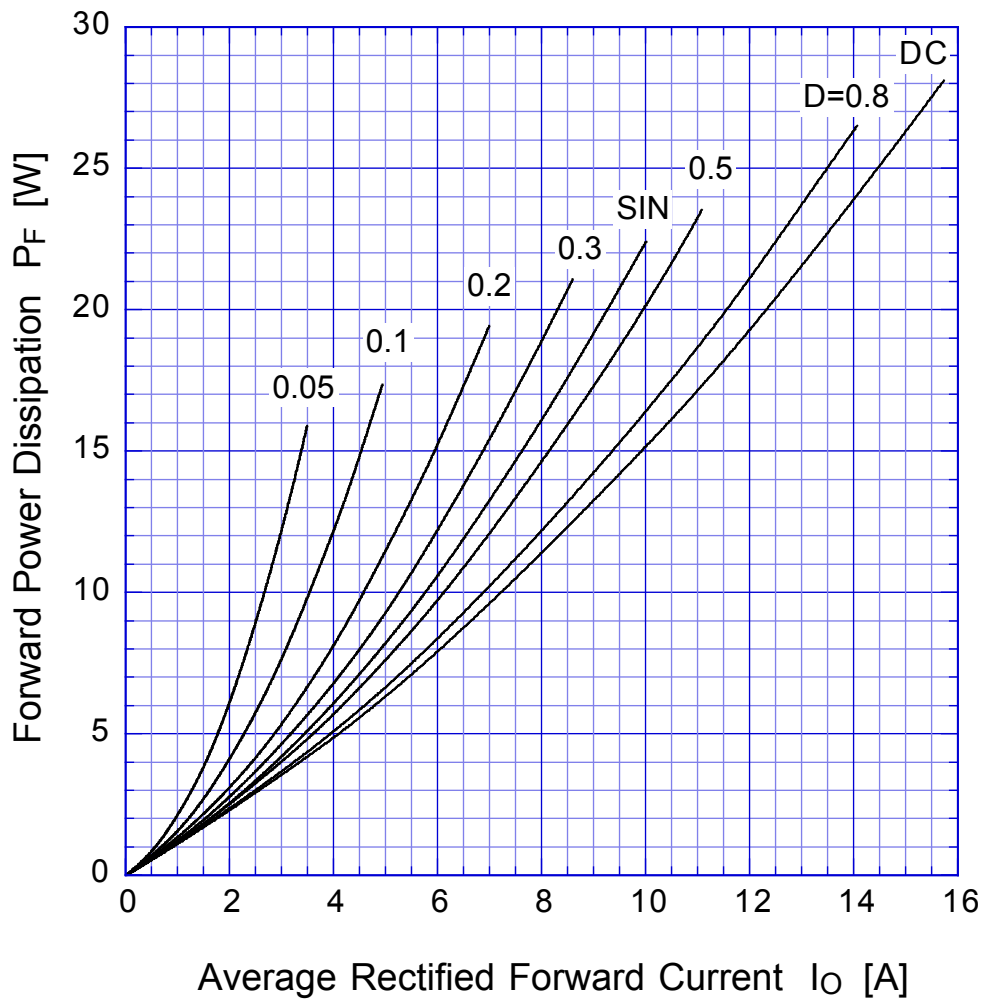
Item	Symbol	Conditions	Ratings	Unit
Forward Voltage	V _F	I _F =10A, Pulse measurement	Max.1.9	V
Reverse Current	I _R	V _R =V _{RM} , Pulse measurement	Max.10	μA
Reverse Recovery Time	trr	I _F =0.5A, I _R =1A	Max.50	ns
Thermal Resistance	θ _{jc}	junction to case	Max.2	°C/W

DF10L60

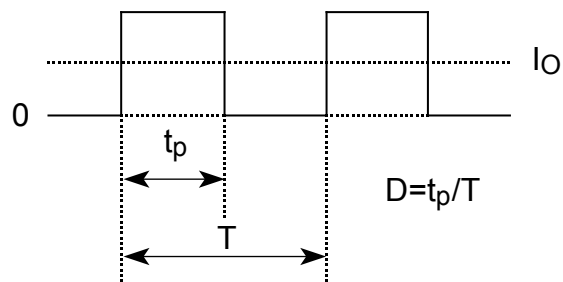
Forward Voltage



DF10L60 Forward Power Dissipation

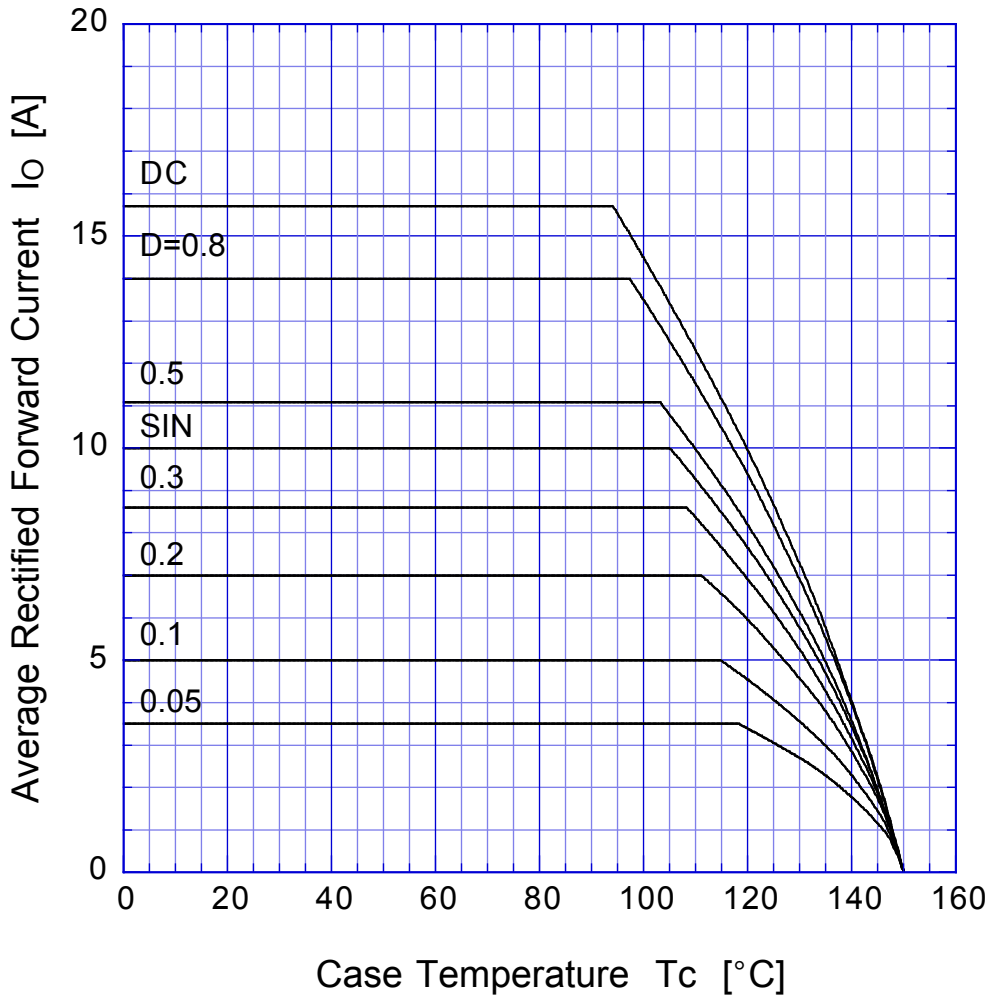


$T_j = 150^\circ\text{C}$



DF10L60

Derating Curve

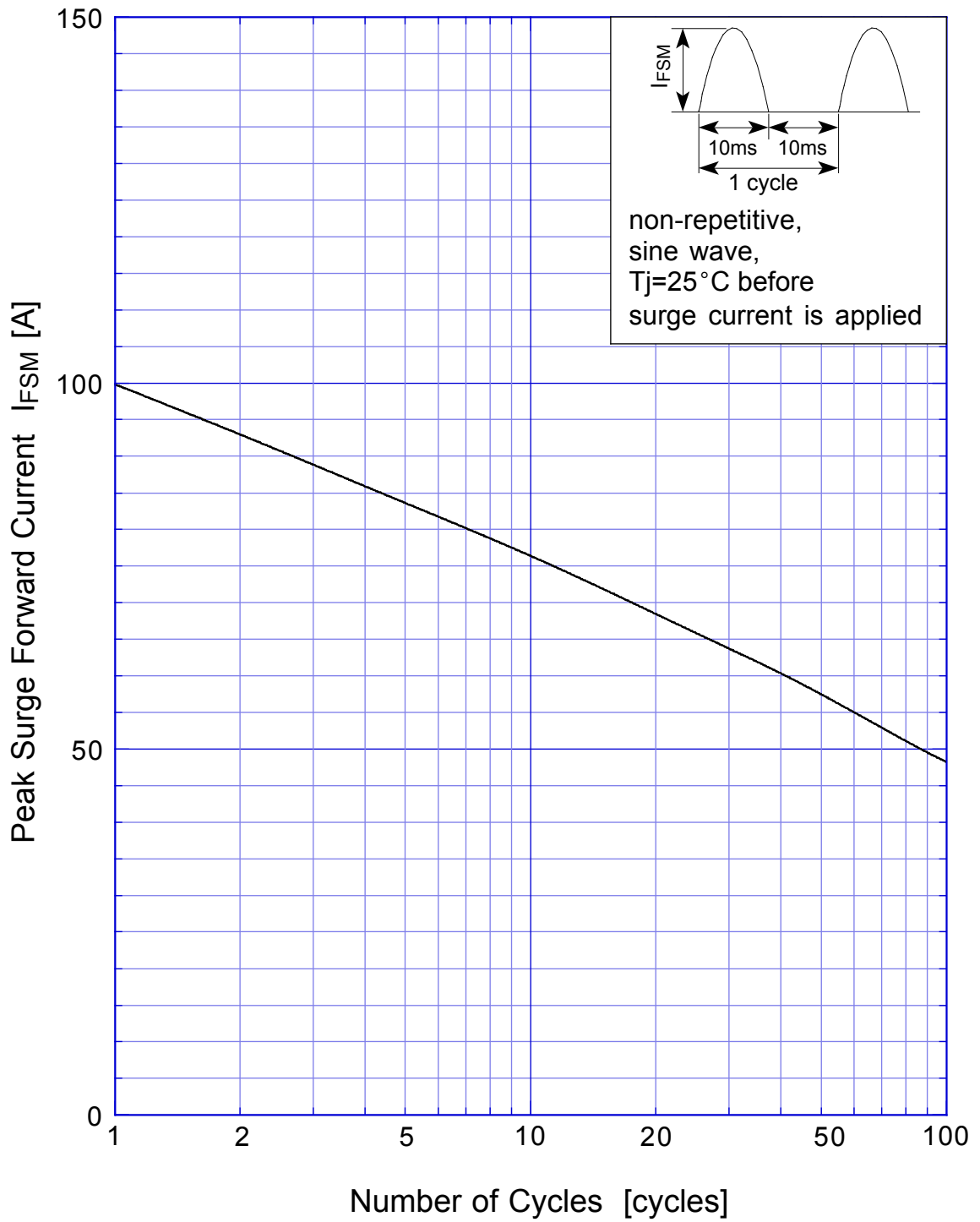


$$V_R = V_{RM}$$



DF10L60

Peak Surge Forward Capability



DF10L60 Junction Capacitance

