

# SHINDENGEN

## Schottky Rectifiers (SBD)

Dual

# DF20PC3M

## 30V 20A

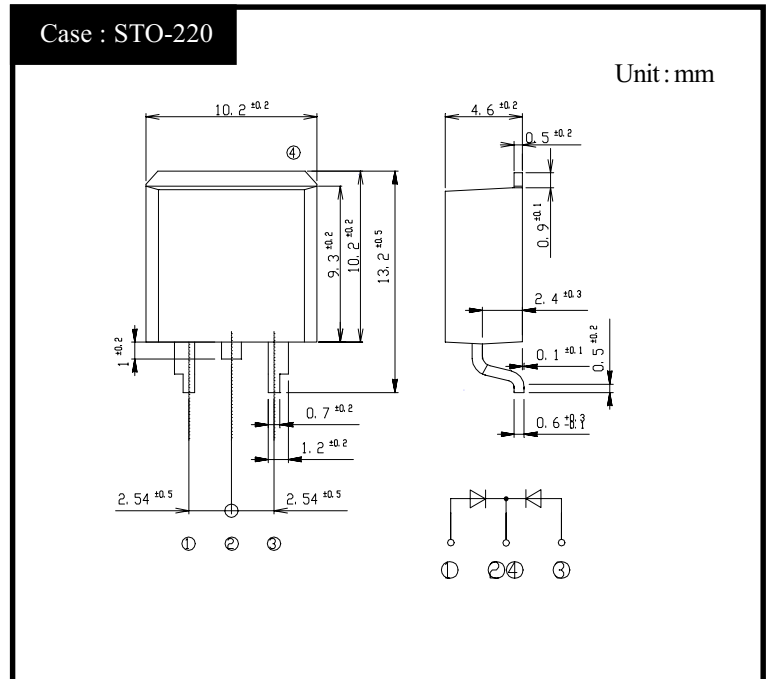
### FEATURES

- SMT
- Super low  $V_F=0.4V$
- High current capacity with Small Package

### APPLICATION

- Reversed Battery Connection Protection
- DC OR output
- DC/DC converter
- Mobile telephone, personal computer

### OUTLINE DIMENSIONS



### RATINGS

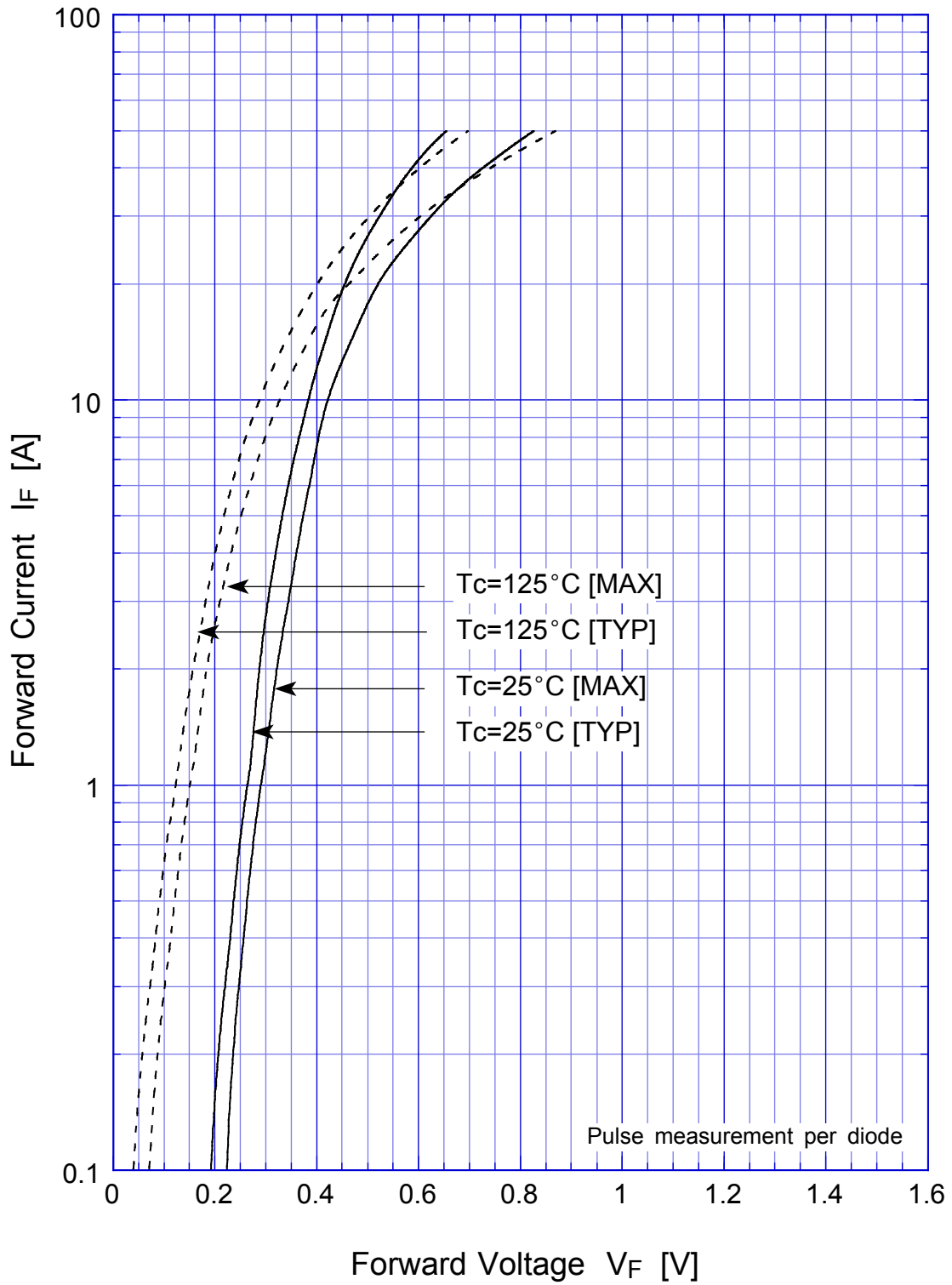
#### ● Absolute Maximum Ratings (If not specified $T_c=25^{\circ}C$ )

Item	Symbol	Conditions	Ratings	Unit
Storage Temperature	$T_{stg}$		-55 ~ 125	$^{\circ}C$
Operating Junction Temperature	$T_j$		125	$^{\circ}C$
Maximum Reverse Voltage	$V_{RM}$		30	V
Non-Repetitive Peak Surge Reverse Voltage	$V_{RSM}$		35	V
Average Rectified Forward Current	$I_O$	50Hz sine wave, R-load, Rating for each diode $I_o/2$ , $T_c=105^{\circ}C$	20	A
Peak Surge Forward Current	$I_{FSM}$	50Hz sine wave, Non-repetitive 1 cycle peak value, $T_j=25^{\circ}C$	200	A

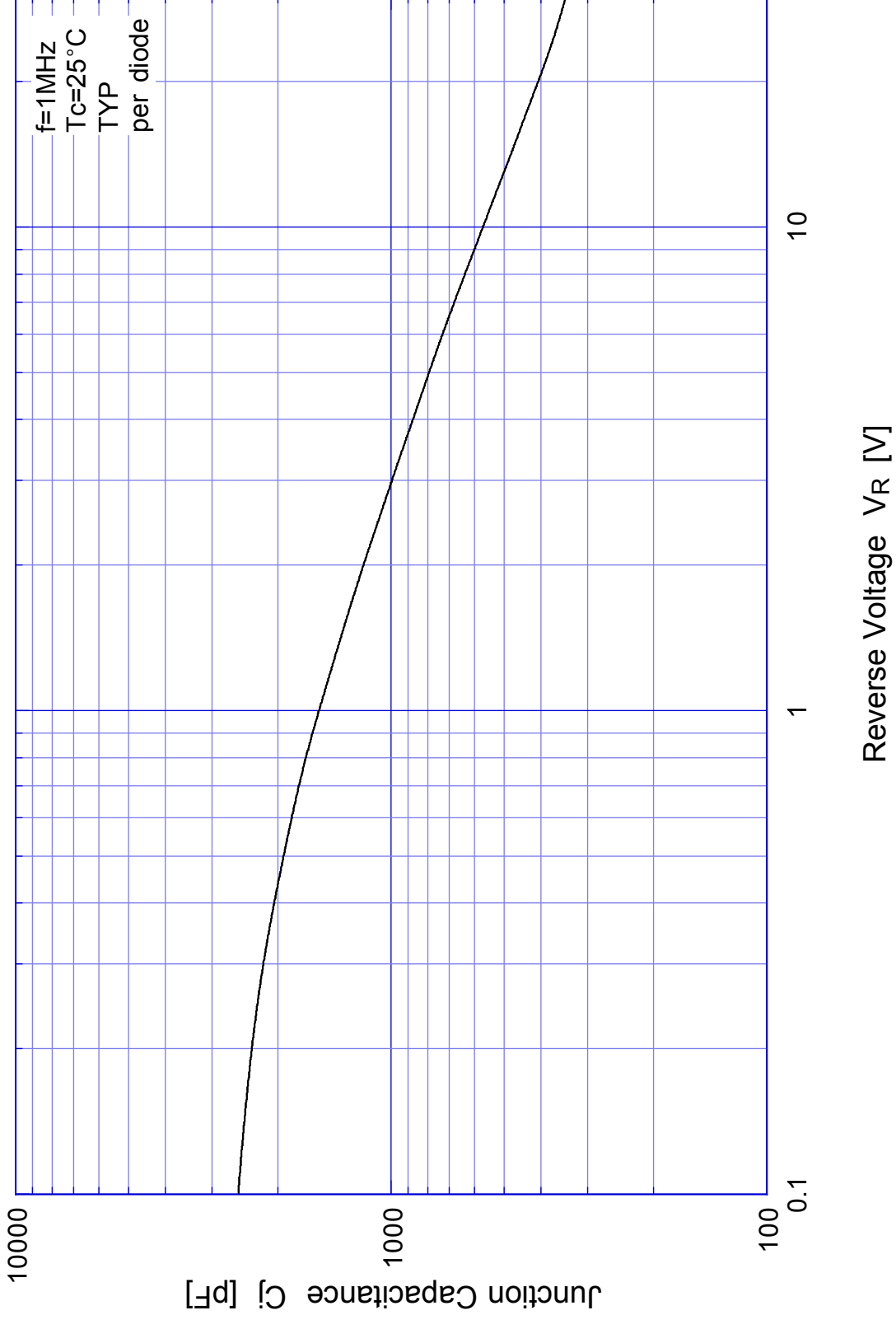
#### ● Electrical Characteristics (If not specified $T_c=25^{\circ}C$ )

Item	Symbol	Conditions	Ratings	Unit
Forward Voltage	$V_F$	$I_F=8A$ , Pulse measurement, Rating of per diode	Max.0.40	V
Reverse Current	$I_R$	$V_R=V_{RM}$ , Pulse measurement, Rating of per diode	Max.35	mA
Junction Capacitance	$C_j$	$f=1MHz$ , $V_R=10V$ , Rating of per diode	Typ.560	pF
Thermal Resistance	$\theta_{jc}$	junction to case	Max.1.6	$^{\circ}C/W$

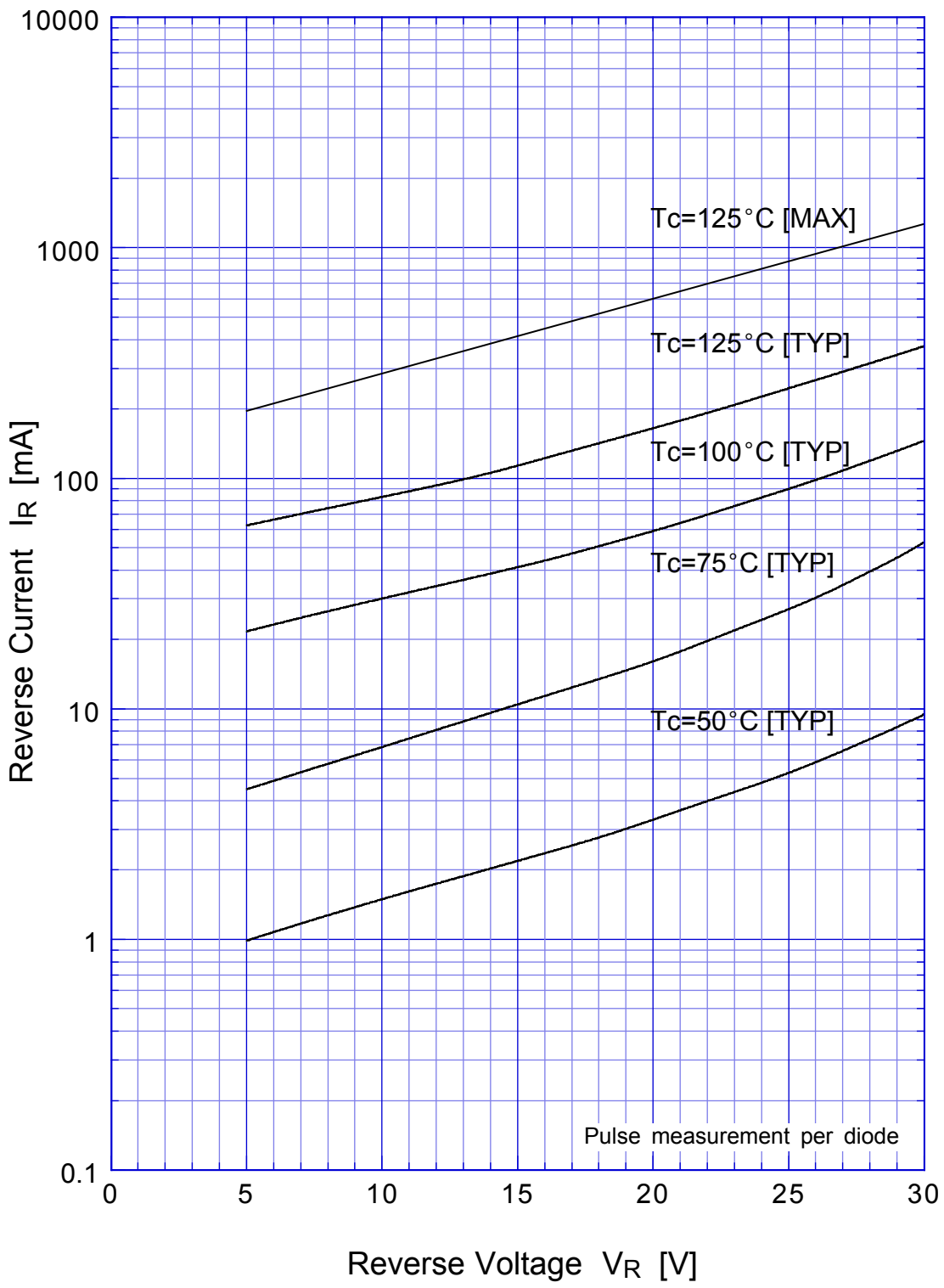
# DF20PC3M Forward Voltage



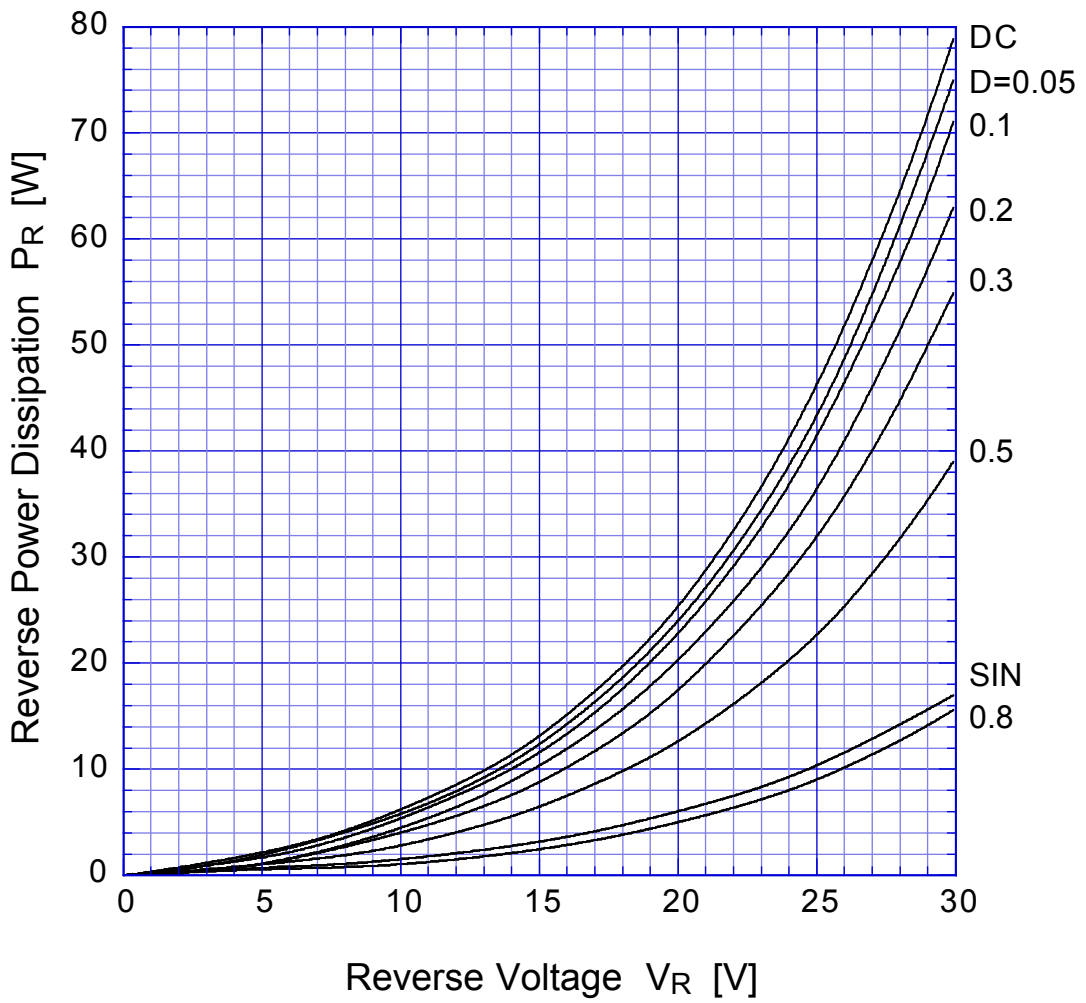
# DF20PC3M Junction Capacitance



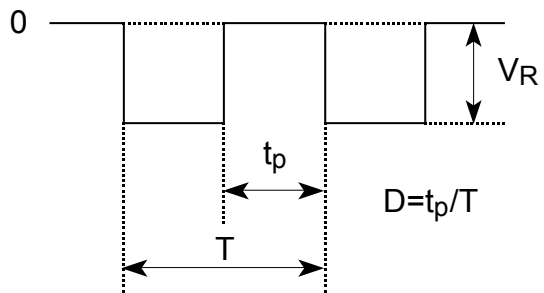
# DF20PC3M Reverse Current



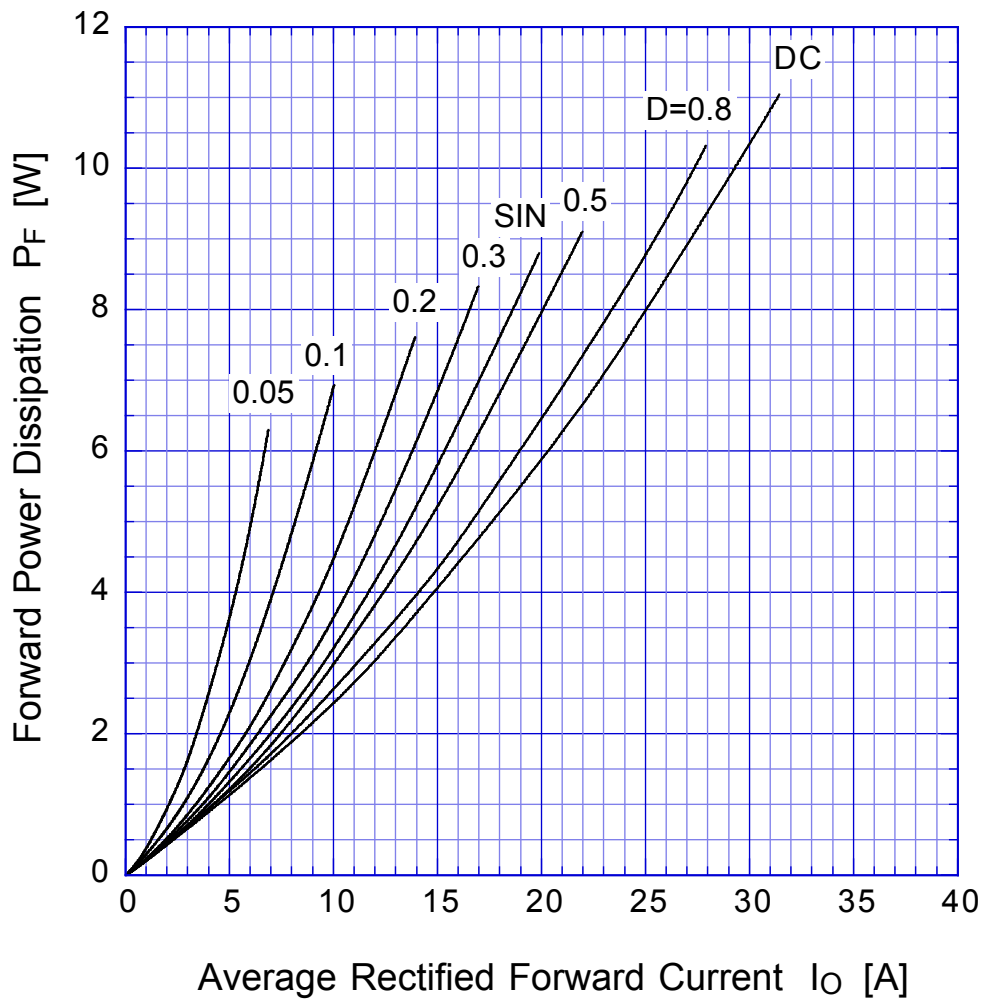
# DF20PC3M Reverse Power Dissipation



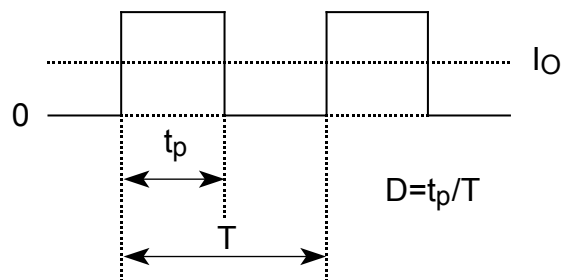
$T_j = T_{jmax}$



## DF20PC3M Forward Power Dissipation

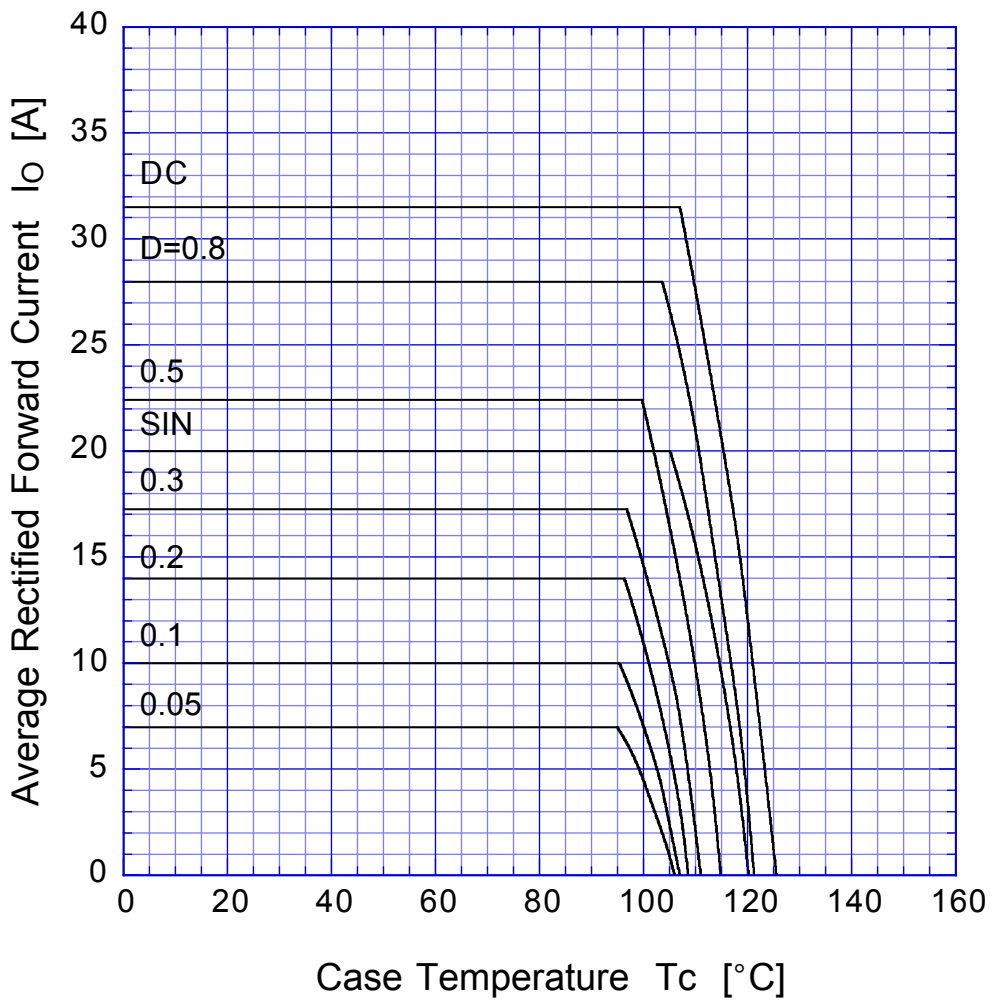


$T_j = T_{jmax}$

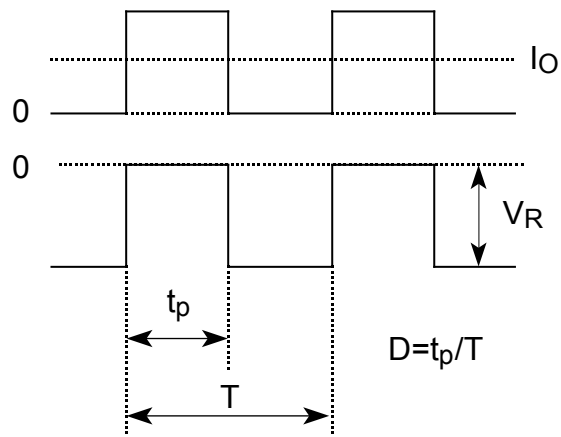


# DF20PC3M

# Derating Curve



$$V_R = V_{RM}/2$$



# DF20PC3M Peak Surge Forward Capability

