



SOD-123 Plastic-Encapsulate Diode

BAT42W/BAT43W

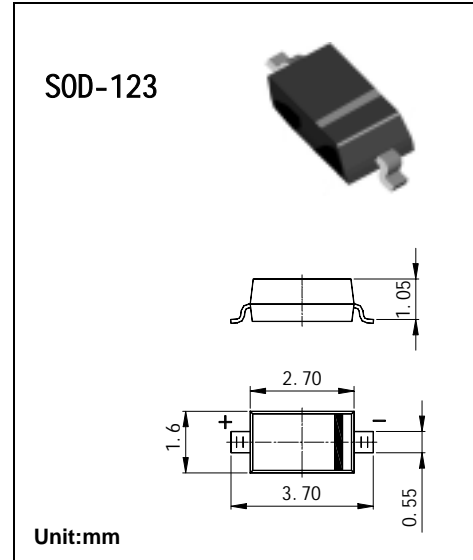
SCHOTTKY DIODE

Features

- Low Forward Voltage Drop
- Fast Switching Time
- Surface Mount Package Ideally Suited for Automatic Insertion

Marking:

BAT42W:S7
BAT43W:S8



Maximum Ratings @ $T_A = 25^\circ\text{C}$ unless otherwise specified

Characteristic	Symbol	BAT42W / BAT43W	Unit
Peak Repetitive Reverse Voltage Working Peak Reverse Voltage DC Blocking Voltage	V_{RRM} V_{RWM} V_R	30	V
RMS Reverse Voltage	$V_{R(RMS)}$	21	V
Forward Continuous Current (Note 1)	I_{FM}	200	mA
Repetitive Peak Forward Current (Note 1) @ $t < 1.0\text{s}$	I_{FRM}	500	mA
Non-Repetitive Peak Forward Surge Current @ $t < 10\text{ms}$	I_{FSM}	4.0	A
Power Dissipation	P_d	200	mW
Thermal Resistance Junction to Ambient Air (Note 1)	$R_{\theta JA}$	625	K/W
Operating and Storage Temperature Range	T_j, T_{STG}	-55 to +125	$^\circ\text{C}$

Electrical Characteristics @ $T_A = 25^\circ\text{C}$ unless otherwise specified

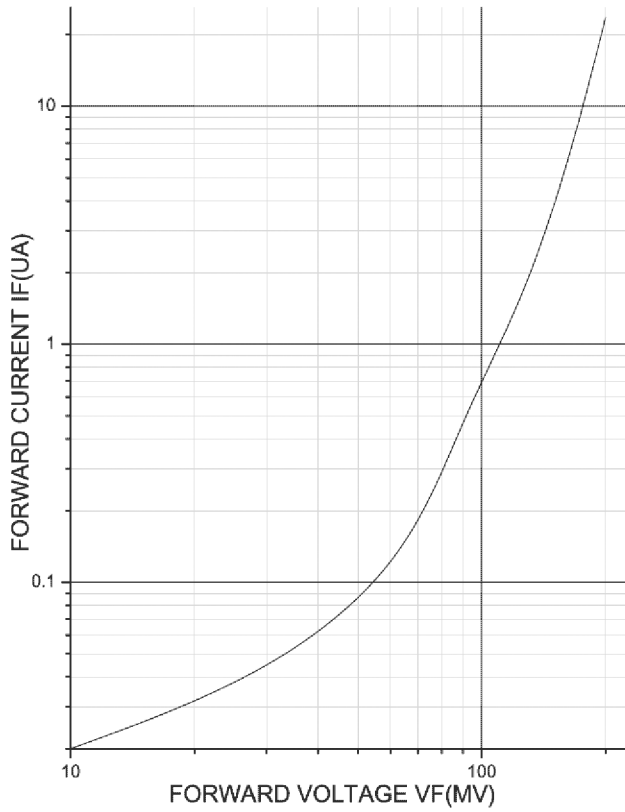
Characteristic	Symbol	Min	Max	Unit	Test Condition
Forward Voltage Drop	V_{FM}	—	1.0	V	$I_F = 200\text{mA}$ $I_F = 10\text{mA}$ $I_F = 50\text{mA}$ $I_F = 2.0\text{mA}$ $I_F = 15\text{mA}$
Maximum Peak Reverse Current	I_{RM}	—	500 100	nA μA	$V_R = 25\text{V}$ $V_R = 25\text{V}, T_j = 100^\circ\text{C}$
Junction Capacitance	C_j	—	10	pF	$V_R = 1.0, f = 1.0\text{MHz}$
Reverse Recovery Time	t_{rr}	—	5.0	ns	$I_F = I_R = 10\text{mA}$, $I_{rr} = 0.1 \times I_R, R_L = 100\Omega$
Rectification Efficiency	η_V	80	—	%	$R_L = 15\Omega, C_L = 300\text{pF}$, $f = 45\text{MHz}, V_{RF} = 2.0\text{V}$

Notes: 1. Valid provided that terminals are kept at ambient temperature.

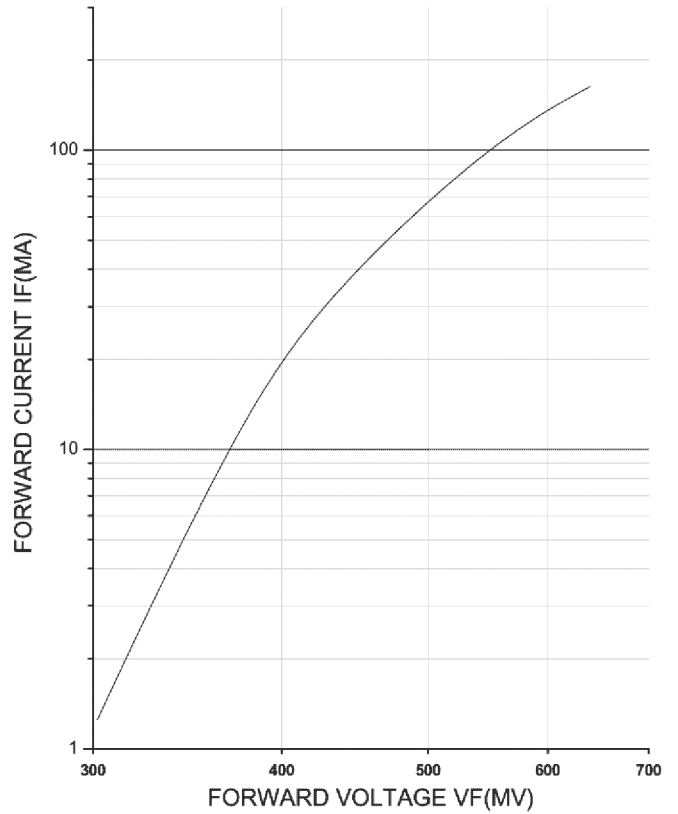
Typital Characteristics

BAT42W

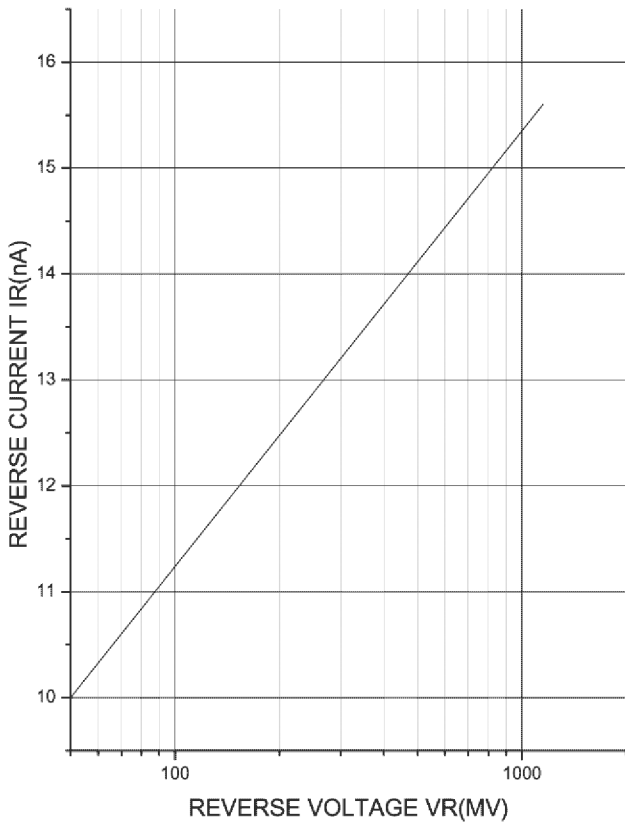
IF-VF



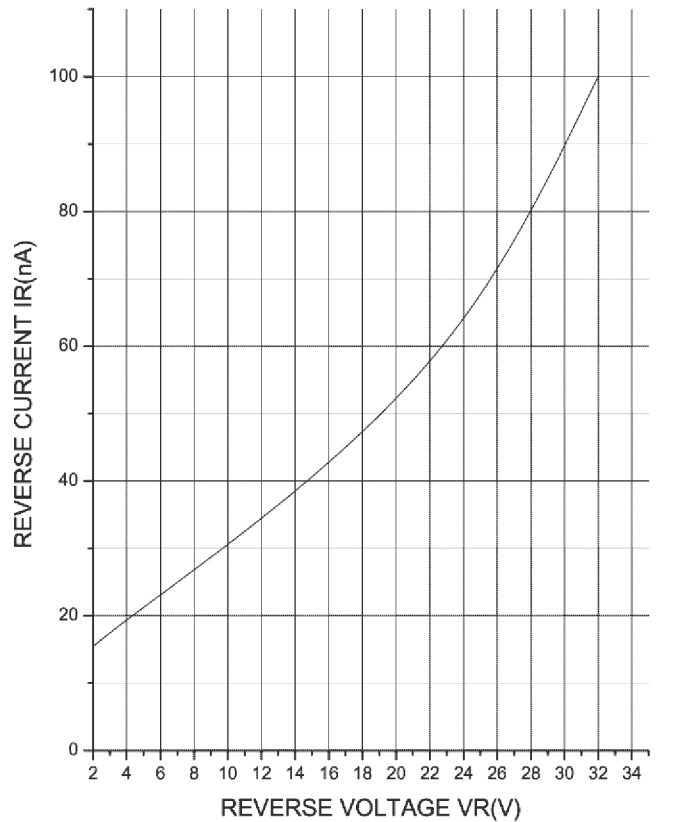
IF-VF



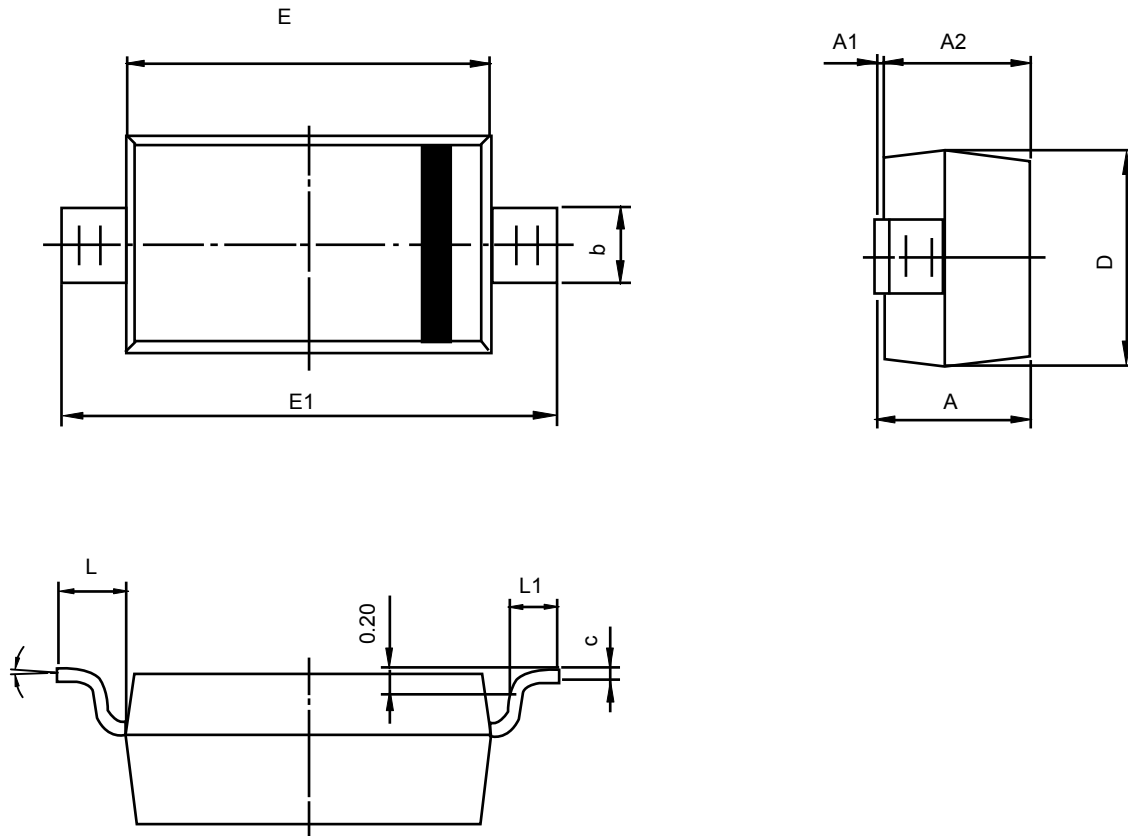
IR-VR



IR-VR



SOD-123 PACKAGE OUTLINE DIMENSIONS



Symbol	Dimensions In Millimeters		Dimensions In Inches	
	Min	Max	Min	Max
A	1.050	1.250	0.041	0.049
A1	0.000	0.100	0.000	0.004
A2	1.050	1.150	0.041	0.045
b	0.450	0.650	0.018	0.026
c	0.080	0.150	0.003	0.006
D	1.500	1.700	0.059	0.067
E	2.600	2.800	0.102	0.110
E1	3.550	3.850	0.140	0.152
L	0.500REF		0.020REF	
L1	0.250	0.450	0.010	0.018
θ	0°	8°	0°	8°