



GENERAL DESCRIPTION

This family of SAW (surface acoustic wave) filters is available in standard center frequencies of 70MHz and 140MHz. Bandwidths range from 0.25MHz to very wide bandwidths (up to 56MHz). These filters are ideal for general radio applications where the common IF is 70MHz or 140MHz and high rejection is needed.

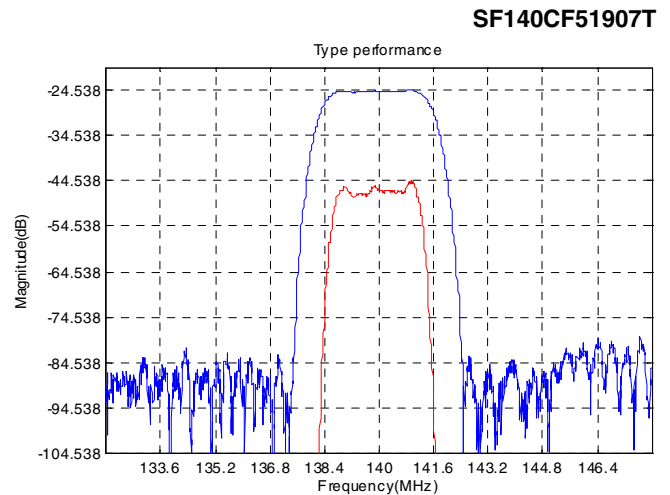
APPLICATIONS

- Military radios
- Telemetry systems
- Communication and navigation
- Test equipment
- Repeaters

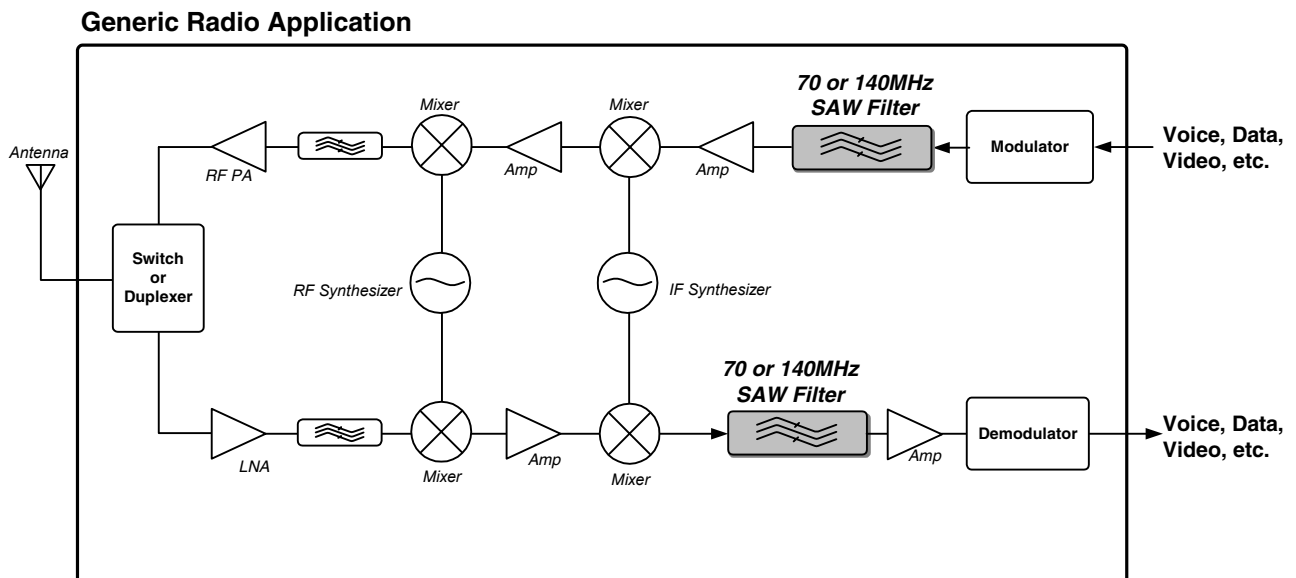
FEATURES

- SAW 3dB bandwidths from 0.25MHz to 56MHz
- Insertion loss ranging from 20dB to 28dB
- High rejection to remove spurious signals
- Low amplitude ripple and group delay variation
- Steep skirts optimized for high close-in rejection
- Packages inc.: DIP-BT (27 x 12.6mm), and DIP-O (22 x 13mm)

TYPICAL RESPONSE



BLOCK DIAGRAM





STANDARD SAW FILTERS (70MHz, 140MHz)

Part Number	Frequency (MHz)	3dB Bandwidth (MHz)	Insertion Loss (dB)	Package (mm)
70MHz Standard SAW Filters				
SF0070CF51541T	70	0.25	20	DIP-BT 27x12.6 mm
SF0070CF51542T	70	0.5	24	DIP-O, 22x13 mm
SF0070CF51543T	70	0.7	23	DIP-BT 27x12.6 mm
SF0070CF51544T	70	1	24	DIP-BT 27x12.6 mm
SF0070CF51546T	70	2	26	DIP-O, 22x13 mm
SF0070CF51547T	70	2.5	27	DIP-O, 22x13 mm
SF0070CF51548T	70	3	27	DIP-O, 22x13 mm
SF0070CF51549T	70	3.5	27	DIP-O, 22x13 mm
SF0070CF51550T	70	4	25	DIP-O, 22x13 mm
SF0070CF51551T	70	4.5	26	DIP-O, 22x13 mm
SF0070CF51553T	70	5.5	25	DIP-O, 22x13 mm
SF0070CF51554T	70	6	25	DIP-O, 22x13 mm
SF0070CF51557T	70	8	24	DIP-O, 22x13 mm
SF0070CF51475T	70	10	26	DIP-O, 22x13 mm
SF0070CF51842T	70	12	25	DIP-O, 22x13 mm
SF0070CF51846T	70	16	26	DIP-O, 22x13 mm
SF0070CF51848T	70	20	27	DIP-O, 22x13 mm
SF0070CF51853T	70	30	22.5	DIP-O, 22x13 mm
SF0070CF51854T	70	32	23.5	DIP-O, 22x13 mm
SF0070CF51855T	70	34	25	DIP-O, 22x13 mm
SF0070CF51856T	70	36	25	DIP-O, 22x13 mm
140MHz Standard SAW Filters				
SF0140CF51902T	140	0.75	23	DIP-BT 27x12.6 mm
SF0140CF51904T	140	1.5	25	DIP-BT 27x12.6 mm
SF0140CF51905T	140	2	26	DIP-O, 22x13 mm
SF0140CF51907T	140	3	27.5	DIP-O, 22x13 mm
SF0140CF51913T	140	6	28	DIP-O, 22x13 mm
SF0140CF51915T	140	7	27	DIP-O, 22x13 mm
SF0140CF51917T	140	8	25.5	DIP-O, 22x13 mm
SF0140CF51919T	140	9	23.5	DIP-O, 22x13 mm
SF0140CF51921T	140	10	24	DIP-O, 22x13 mm
SF0140CF51925T	140	14	24	DIP-O, 22x13 mm
SF0140CF51927T	140	16	25	DIP-O, 22x13 mm
SF0140CF51933T	140	24	26.5	DIP-O, 22x13 mm
SF0140CF51935T	140	28	26.5	DIP-O, 22x13 mm
SF0140CF51943T	140	44	25	DIP-O, 22x13 mm