

Features

- 24 dB Isolation Typical, 0.25 dB Insertion Loss Typical
- Compatible with Pick-and-Place Manufacturing and Solder Reflow Profiles
- Custom Products Available with Alternate Configurations such as Couplers, Attenuators, Higher Power Terminations, Reverse Circulation and Termination on Ports 1 or 2
- Designed for Wireless Telecommunications Systems: AMPS, GSM800, GSM900, DCS1800, PCS1900

Description

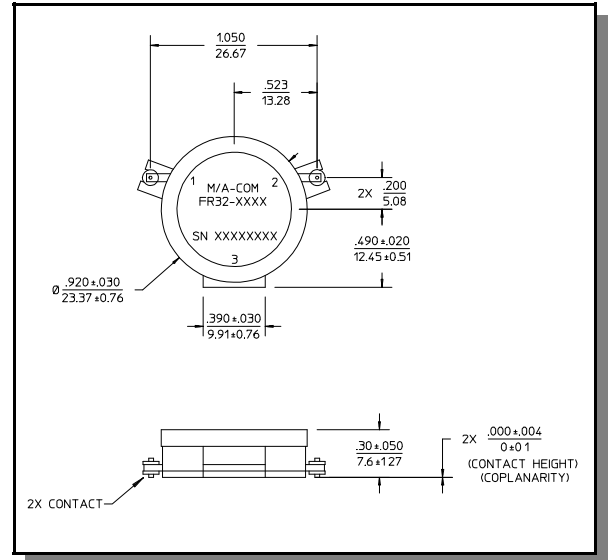
M/A-COM's surface mount and drop-in circulators and isolators, designed for wireless Base Station and Power Amplifier applications, feature high reliability performance at a low cost. These proven robust designs are qualification tested. Tests include temperature cycling, high temperature exposure, vibration, shock, and corrosion / moisture testing. These designs feature a low cost package ideally suited for high volume manufacturing. M/A-COM is the world's largest supplier of surface mount and drop-in isolators and circulators for the wireless infrastructure market.

Electrical Specifications

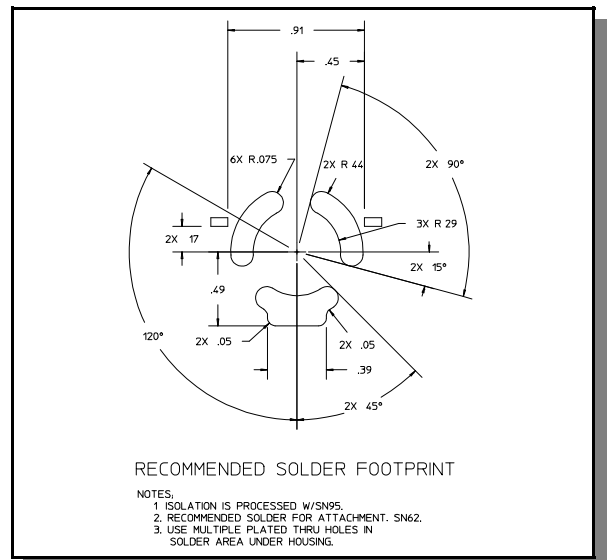
Parameter	-10°C to +60°C	-30 to +85°C
Isolation	22 dB Min 24 dB Typ	20 dB Min 22 dB Typ
Insertion Loss	0.3 dB Max 0.25 dB Typ	0.35 dB Max 0.30 dB Typ
Forward Power	65 Watts	65 Watts
Reflected Power	10 Watts	10 Watts
VSWR	1.20:1 Max	1.22:1 Max

Part Number	Frequency Range (MHz)
FR32-0001	869 - 894
FR32-0002	925 - 960
FR32-0003	1805 - 1880
FR32-0004	1930 - 1990

OUTLINE DRAWING



MOUNTING DIMENSIONS



M/A-COM Inc. and its affiliates reserve the right to make changes to the product(s) or information contained herein without notice.

Visit www.macom.com for additional data sheets and product information.

- North America: Tel. (800) 366-2266
- Asia/Pacific: Tel.+81-44-844-8296, Fax +81-44-844-8298
- Europe: Tel. +44 (1344) 869 595, Fax+44 (1344) 300 020