

Single Junction Surface Mount Circulator
800MHz, 900MHz, 1800MHz, 1900MHz, 2100MHz

FR31 Series
V7

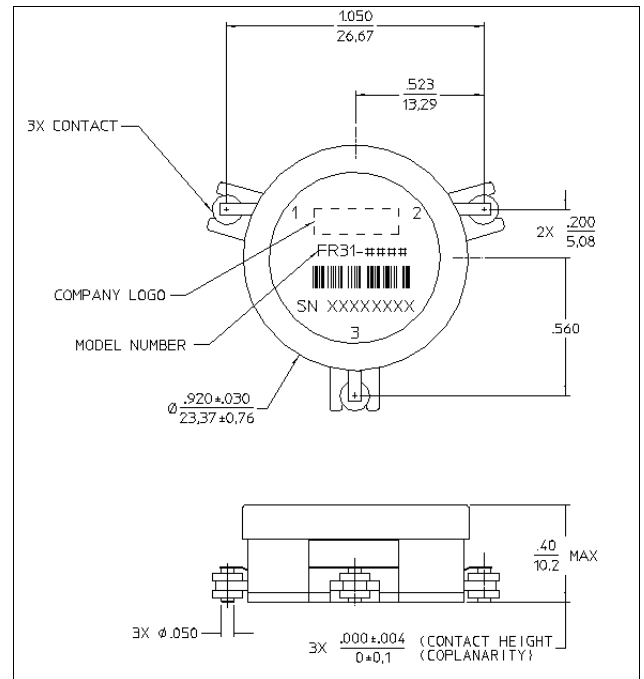
Features

- 20dB Isolation
- 0.35dB Insertion Loss
- Low cost surface mount package
- Custom products available with alternative configurations such as couplers, attenuators, high power termination and reverse circulation.

Description

M/A COM's drop-in circulators and isolators, designed for Wireless base station and power amplifier applications, feature high reliability performance at a low cost. These designs feature a low cost package ideally suited for high volume manufacturing. M/A Com is one of the largest suppliers of isolator and circulators in the world.

Outline Drawing



Electrical Specifications: $Z_0 = 50\Omega$

Parameter	-30°C to +85°C
Isolation	20dB minimum
Insertion Loss	0.35dB maximum
VSWR, all ports	1.22:1
Circulation	Clockwise

Absolute Maximum Ratings ¹

Parameter	Absolute Maximum
Forward Power	65 Watts
Operating Temperature	-30°C to +85°C
Storage Temperature	-45°C to +125°C

1. Operation of this device above any one of these parameters may cause permanent damage.

Ordering Information

Part Number	Frequency Range (MHz)
FR31-0001	869—894
FR31-0002	925—960
FR31-0003	1805—1880
FR31-0004	1930—1990
FR31-0009	2110—2170

1

M/A-COM Inc. and its affiliates reserve the right to make changes to the product(s) or information contained herein without notice. M/A-COM makes no warranty, representation or guarantee regarding the suitability of its products for any particular purpose, nor does M/A-COM assume any liability whatsoever arising out of the use or application of any product(s) or information.

• **North America** Tel: 800.366.2266 / Fax: 978.366.2266
 • **Europe** Tel: 44.1908.574.200 / Fax: 44.1908.574.300
 • **Asia/Pacific** Tel: 81.44.844.8296 / Fax: 81.44.844.8298

Visit www.macom.com for additional data sheets and product information.