

# SHINDENGEN

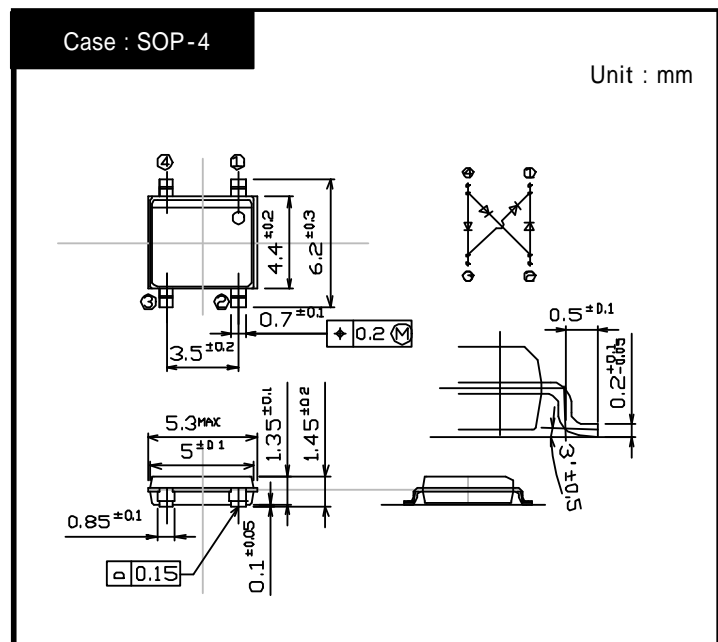
## General Purpose Rectifiers

## SMT Bridges

# D1UB80

## 800V 1A

### OUTLINE DIMENSIONS



### RATINGS

Absolute Maximum Ratings (If not specified  $T_c=25$  )

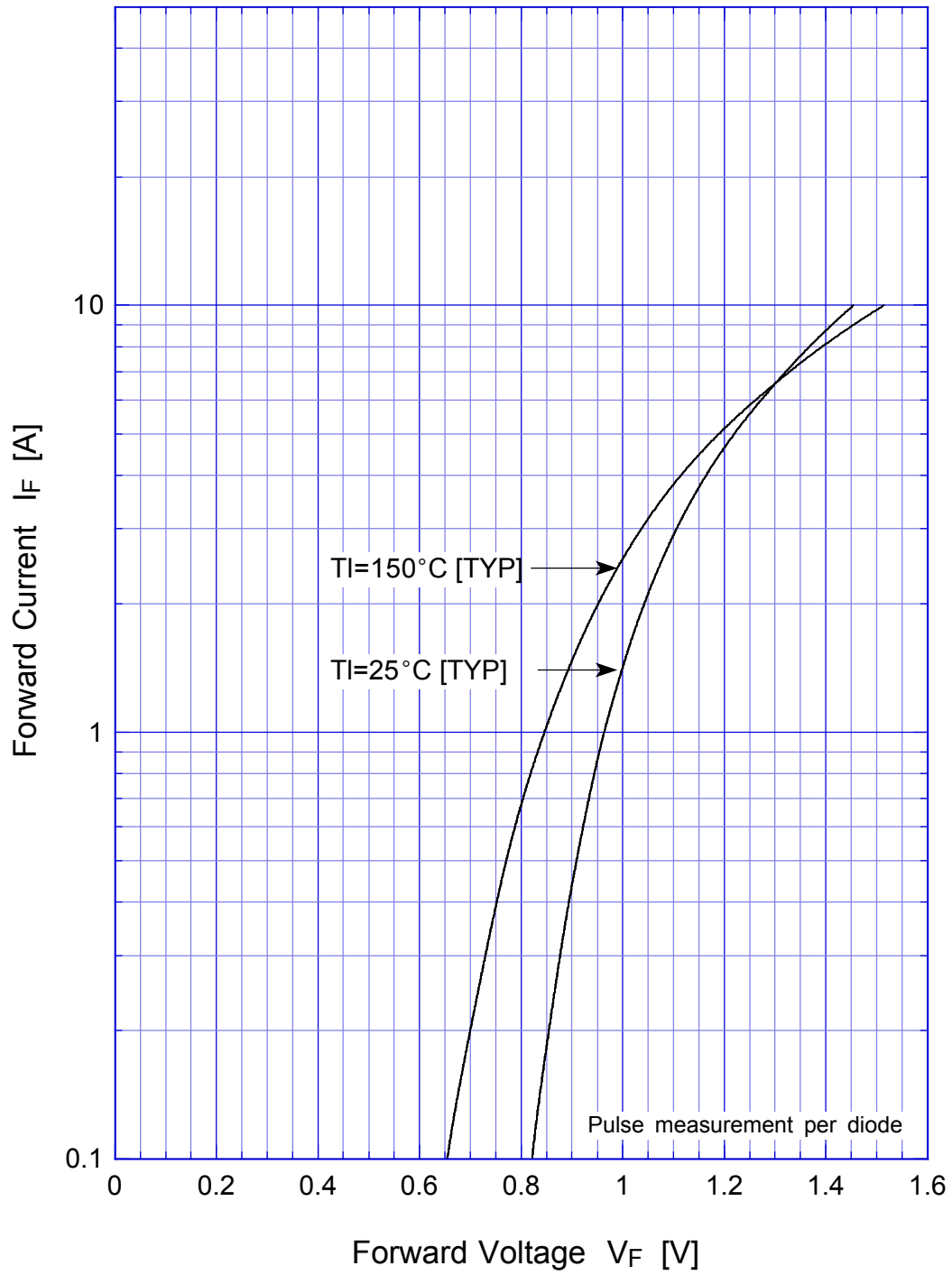
Item	Symbol	Conditions	Ratings	Unit
Storage Temperature	$T_{stg}$		-55 ~ 150	
Operating Junction Temperature	$T_j$		150	
Maximum Reverse Voltage	$V_{RM}$		800	V
Average Rectified Forward Current	$I_O$	50Hz sine wave, R-load, $T_a=25$	1	A
Peak Surge Forward Current	$I_{FSM}$	50Hz sine wave, Non-repetitive 1 cycle peak value, $T_j=25$	30	A
Current Squared Time	$I^2_t$	1ms $t < 10ms$ $T_j=25$	3	A <sup>2</sup> s

Electrical Characteristics (If not specified  $T_c=25$  )

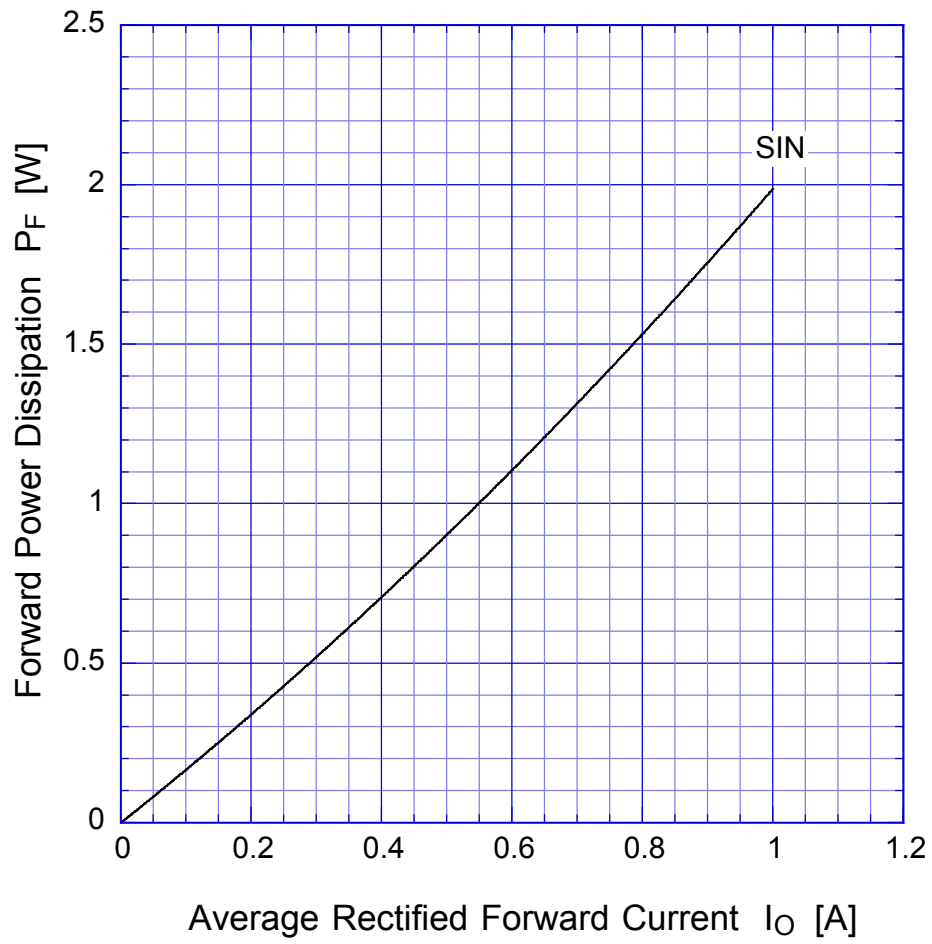
Item	Symbol	Conditions	Ratings	Unit
Forward Voltage	$V_F$	$I_F=0.4A$ , Pulse measurement, Rating of per diode	Max.0.95	V
Reverse Current	$I_R$	$V_R=800v$ , Pulse measurement, Rating of per diode	Max.10	$\mu A$
Thermal Resistance	$\theta_{j-l}$	junction to lead Without heatsink	Max.25	/W
	$\theta_{j-a}$	junction to ambient Without heatsink	Max.62.5	

# D1UB80

## Forward Voltage



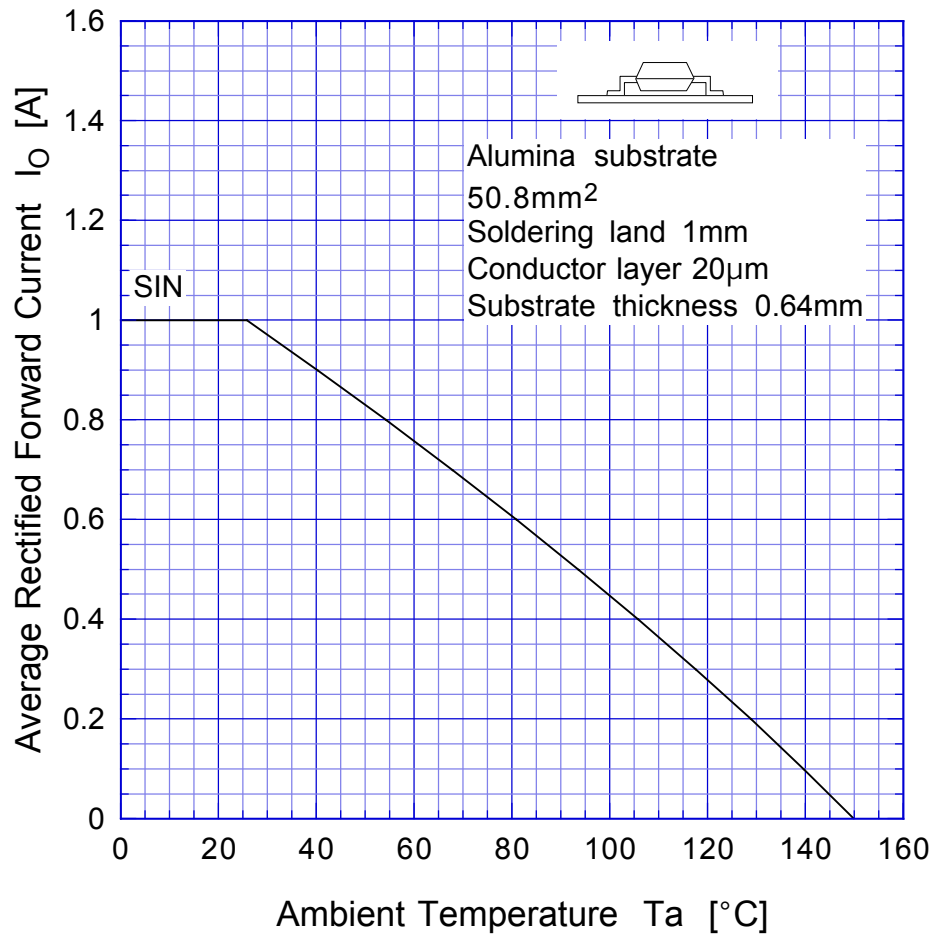
## D1UB80 Forward Power Dissipation



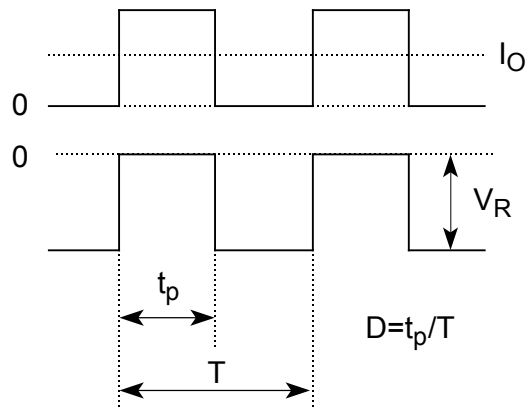
$T_j = 150^\circ\text{C}$   
Sine wave

# D1UB80

# Derating Curve

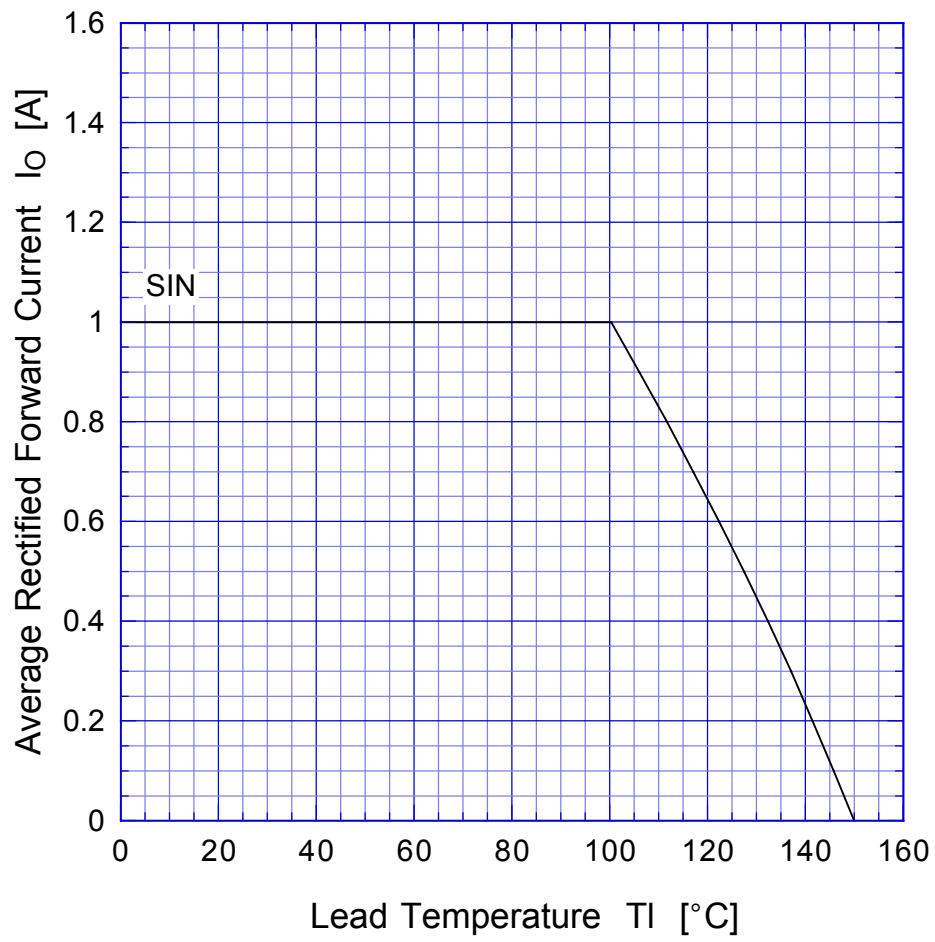


$$V_R = V_{RM}$$

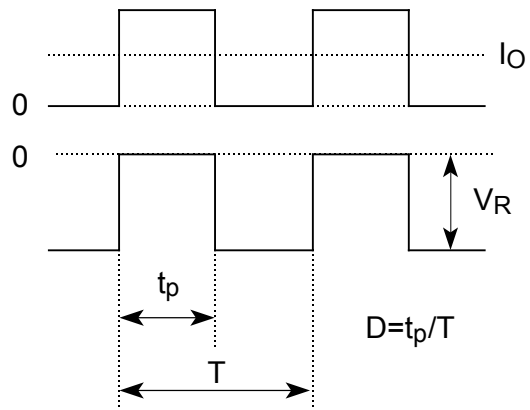


# D1UB80

# Derating Curve



$$V_R = V_{RM}$$



# D1UB80

## Peak Surge Forward Capability

