

# ASSP

## Bidirectional Motor Driver

### MB3763

#### ■ DESCRIPTION

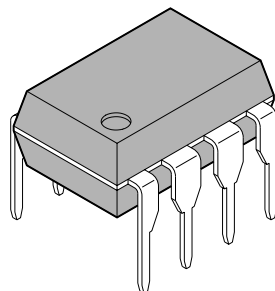
Fujitsu's MB3763 Motor Driver with forward/reverse control capability, is used in applications such as the front-loading mechanism in video tape, or the auto-reverse tape deck, driven by a TTL signal. The MB3763 has 150 mA drive units and braking capability with TTL control.

#### ■ FEATURES

- Motor Drive Current: 150 mA maximum (DC)  
300 mA maximum ( $t_{ON} = 1$  s, Duty = 50 %)
- Wide Power Supply Voltage Range: 4V to 18V
- TTL-control capability
- Standby capability when input is off.
- Brake capability at motor stop mode.
- Built-in diode for surge absorption
- Package: 8-pin plastic DIP package (Suffix: -P)  
8-pin plastic SOP package (Suffix: -PF)

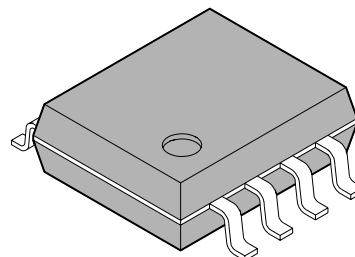
#### ■ PACKAGE

8-pin plastic DIP



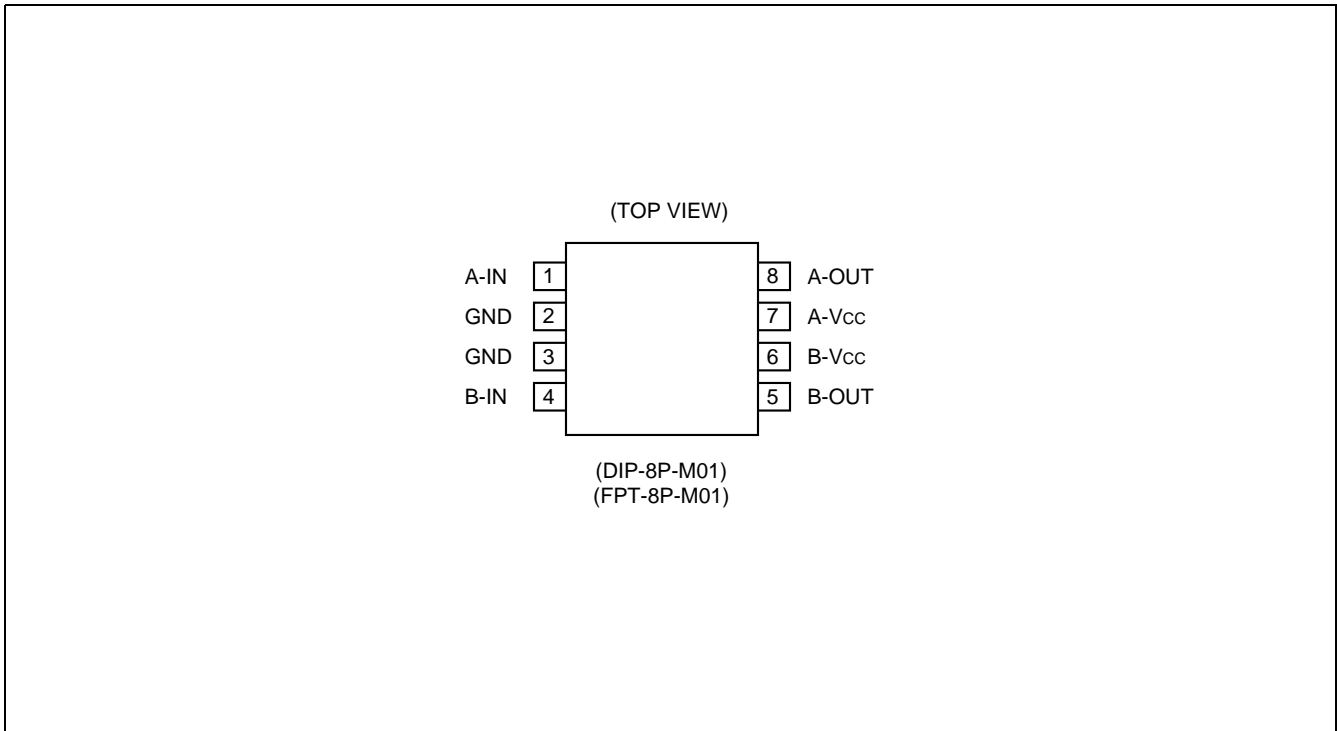
(DIP-8P-M01)

8-pin plastic SOP

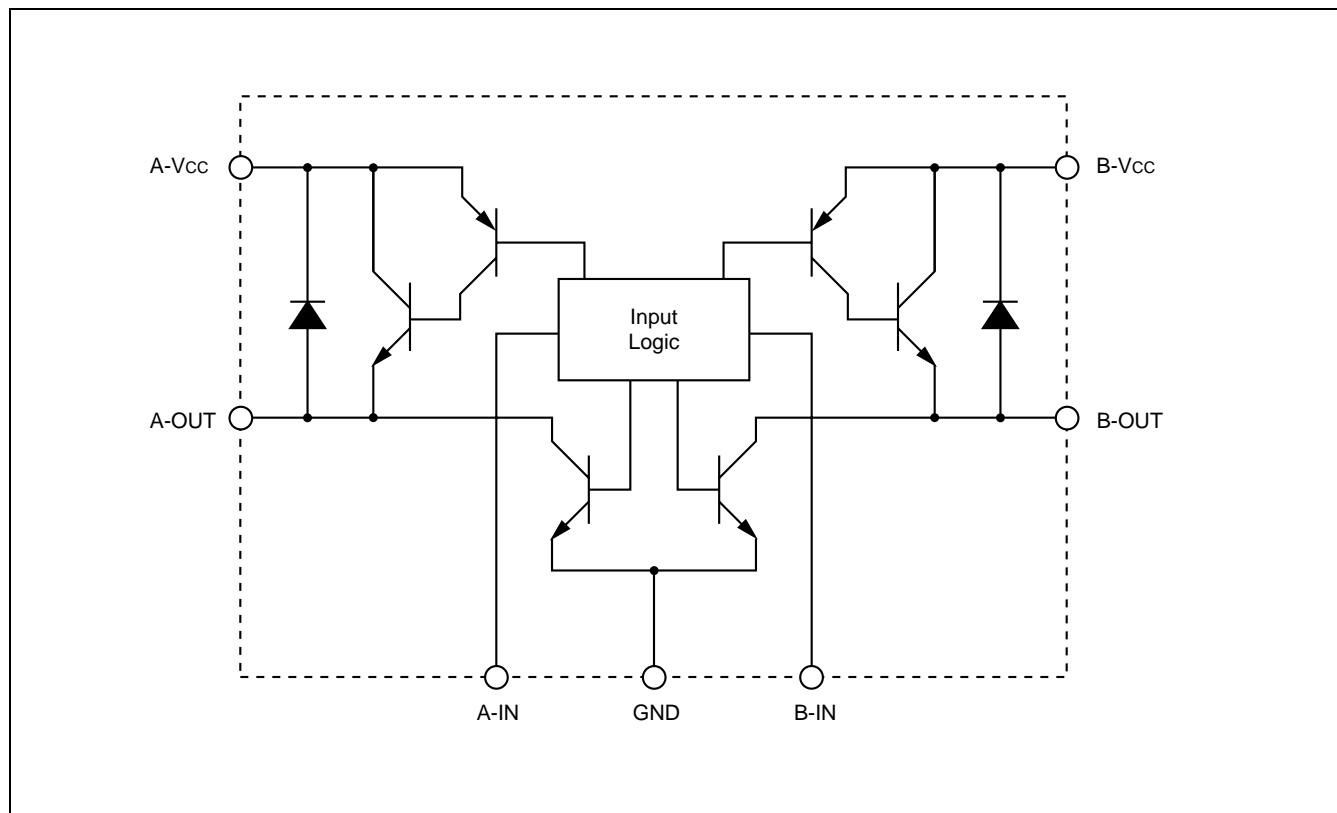


(FPT-8P-M01)

## ■ PIN ASSIGNMENT



## ■ BLOCK DIAGRAM



## ■ ABSOLUTE MAXIMUM RATINGS

(Ta = +25°C)

Parameter	Symbol	Rating		Unit
		Min.	Max.	
Power supply voltage	V <sub>CC</sub>	—	20	V
Output current	I <sub>O</sub>	—	180 (330* <sup>1</sup> )	mA
Maximum output current	I <sub>OMAX</sub> * <sup>3</sup>	—	1.2	A
Power Dissipation	P <sub>D</sub>	—	560* <sup>2</sup>	mW
Operating temperature	T <sub>C</sub>	-20	+75	°C
Storage temperature	T <sub>stg</sub>	-55	+125	°C

\*1: t<sub>ON</sub> ≤ 1 s, Duty = 50%

\*2: Ta ≤ 60°C

\*3: t ≤ 5 ms

**WARNING:** Semiconductor devices can be permanently damaged by application of stress (voltage, current, temperature, etc.) in excess of absolute maximum ratings. Do not exceed these ratings.

## ■ RECOMMENDED OPERATING CONDITIONS

Parameter	Symbol	Value		Unit
		Min.	Max.	
Power supply voltage	V <sub>CC</sub>	4	18	V
Output current	I <sub>O</sub>	0	150 (300* <sup>1</sup> )	mA
Input high voltage	V <sub>IH</sub> * <sup>2</sup>	2.4	V <sub>CC</sub> + 0.3	V
Input low voltage	V <sub>IL</sub>	0	0.4	V

\*1: t<sub>ON</sub> ≤ 1 s, Duty = 50%

\*2: When V<sub>IH</sub> ≥ V<sub>CC</sub>, I<sub>IH</sub> ≤ V<sub>CC</sub> × 0.2 mA

**WARNING:** The recommended operating conditions are required in order to ensure the normal operation of the semiconductor device. All of the device's electrical characteristics are warranted when the device is operated within these ranges.

Always use semiconductor devices within their recommended operating condition ranges. Operation outside these ranges may adversely affect reliability and could result in device failure.

No warranty is made with respect to uses, operating conditions, or combinations not represented on the data sheet. Users considering application outside the listed conditions are advised to contact their FUJITSU representatives beforehand.

## ■ ELECTRICAL CHARACTERISTICS

( $V_{CC} = 12\text{ V}$ ,  $T_a = +25^\circ\text{C}$ )

Parameter	Symbol	Condition	Value			Unit
			Min.	Typ.	Max.	
Standby supply current	$I_{CC0}$	$V_{CC} = 18\text{ V}$ , $V_{IA} = V_{IB} = 0\text{ V}$	—	—	1.0	mA
Power supply current	$I_{CC1}$	$I_o = 0\text{ mA}$	—	10	20	mA
	$I_{CC2}$	$I_o = 150\text{ mA}$	—	10	—	mA
		$I_o = 300\text{ mA}$	—	15	—	mA
	$I_{CC3}$	$I_o = 0\text{ mA}$ , $V_{IA} = V_{IB} = 2.4\text{ V}$	—	15	—	mA
Output high voltage	$V_{OH}$	$I_o = 150\text{ mA}$	11.0	11.2	—	V
		$I_o = 300\text{ mA}$	10.8	11.1	—	V
Output low voltage	$V_{OL}$	$I_o = 150\text{ mA}$	—	0.1	0.2	V
		$I_o = 300\text{ mA}$	—	0.2	0.5	V
Output saturation voltage	$V_{SAT}$	$I_o = 150\text{ mA}$	—	0.9	1.2	V
		$I_o = 300\text{ mA}$	—	1.1	1.7	V
Input current	$I_{IH}$	$V_{IN} = 2.4\text{ V}$	—	250	400	$\mu\text{A}$
Input switching prohibition time	$T_{OFF}$	—	10	—	—	$\mu\text{s}$

## FUNCTIONAL DESCRIPTIONS

### FORWARD/REVERSE MODE (MODE B & C)

In this mode, the transistor pairs Q2-Q3 and Q1-Q4 work alternatively, changing the output current direction. When the mode B is selected, Q2 and Q3 are active and Q1 and Q4 are inactive. Therefore A-OUT is at low level and B-OUT is at high level, with the current flowing from B-OUT to A-OUT through the motor. On the other hand, when the mode C is selected, the current flows in the reverse direction.

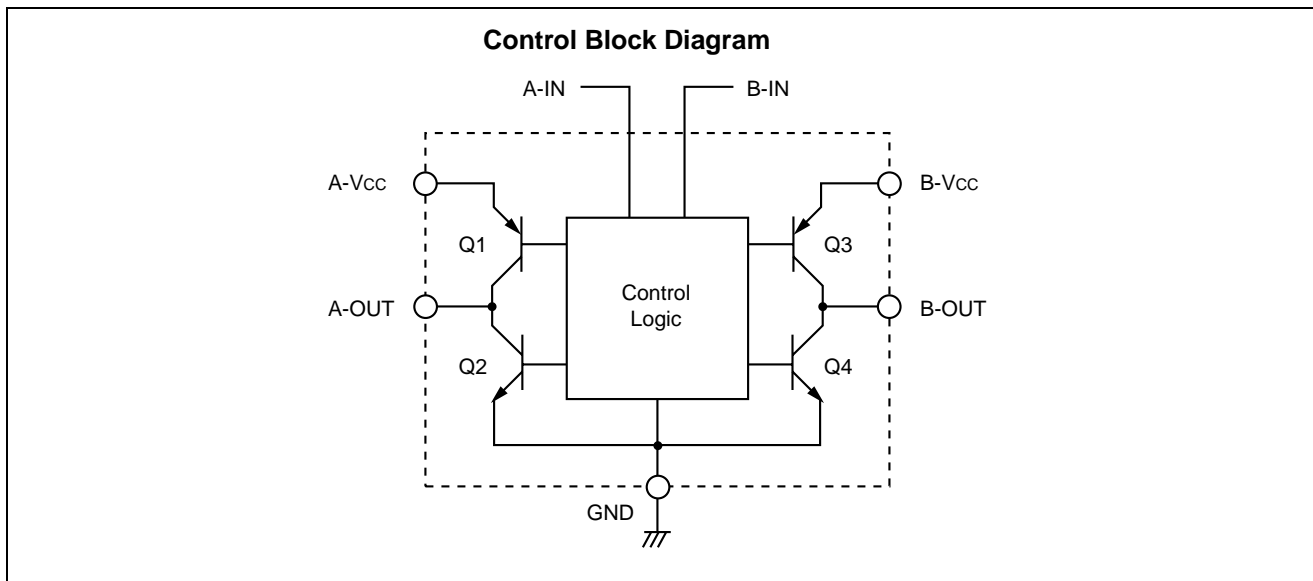
### BRAKE/STOP MODE (MODE A)

When the mode A is selected, Q1 and Q3 are inactive and Q2 and Q4 are active. A-OUT and B-OUT are stuck at low-level; terminals of motor are shorted and the motor is forced to stop.

### STANDBY MODE (MODE D)

In this mode, all transistors are inactive and the current through the motor does not flow. When the power supply voltage is applied to A-Vcc and B-Vcc, the supply current is still less than or equal to 1 mA.

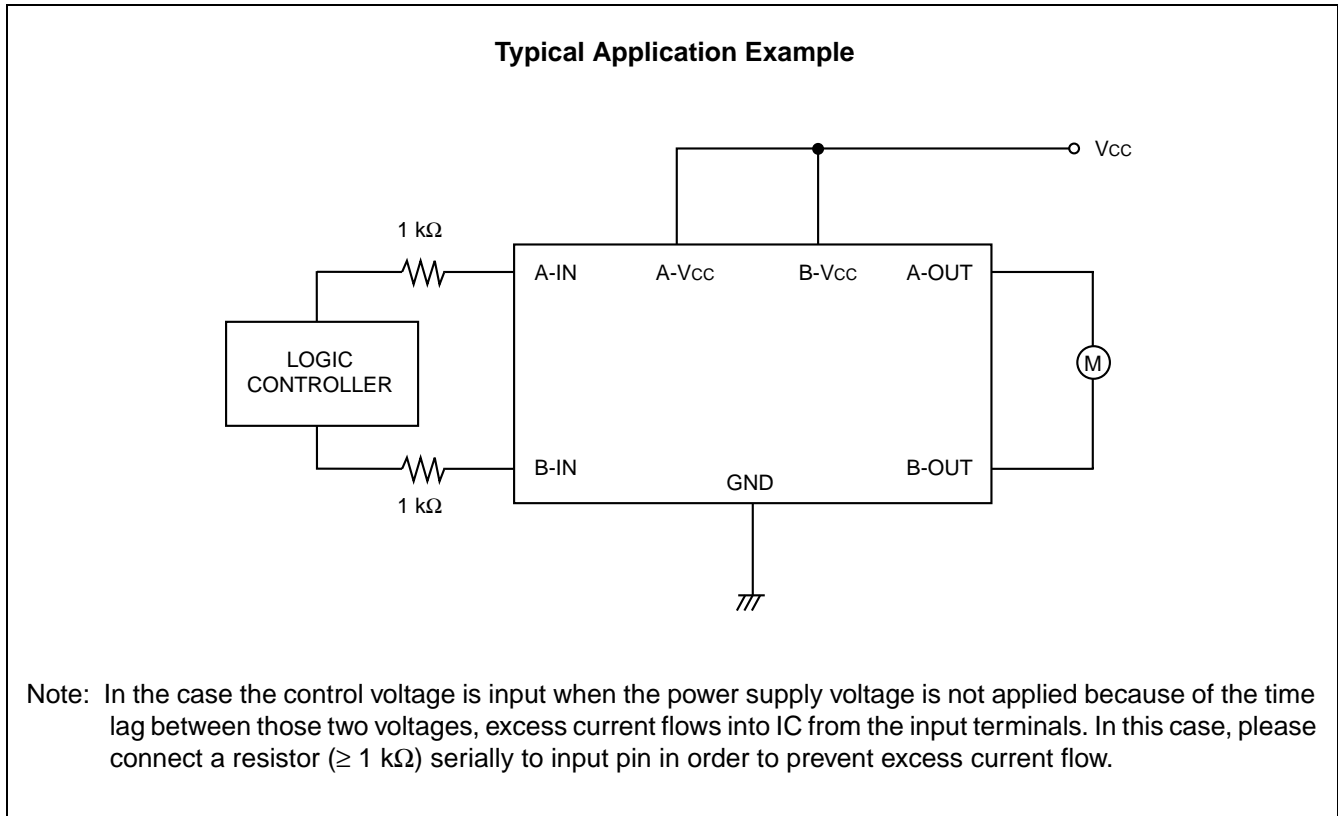
## CONTROL MODE



Mode	Input mode		Output mode		Operation
	A-IN	B-IN	A-OUT	B-OUT	
A	1	1	L	L	short (Brake)
B	1	0	L	H	Forward
C	0	1	H	L	Reverse
D	0	0	—	—	Open (Standby)

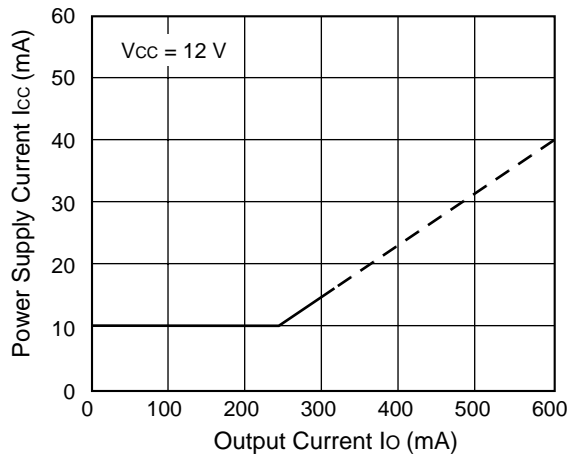
Notes: 1:  $\geq 2.4V$   
0:  $\leq 0.4V$

## ■ TYPICAL APPLICATION

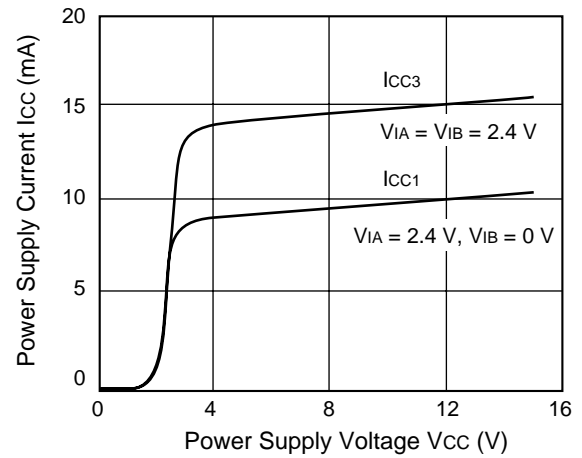


## ■ TYPICAL PERFORMANCE CHARACTERISTICS

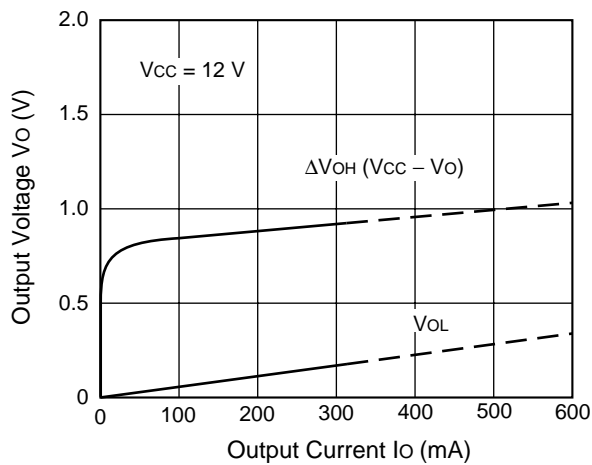
**Output Current vs. Power Supply Current**



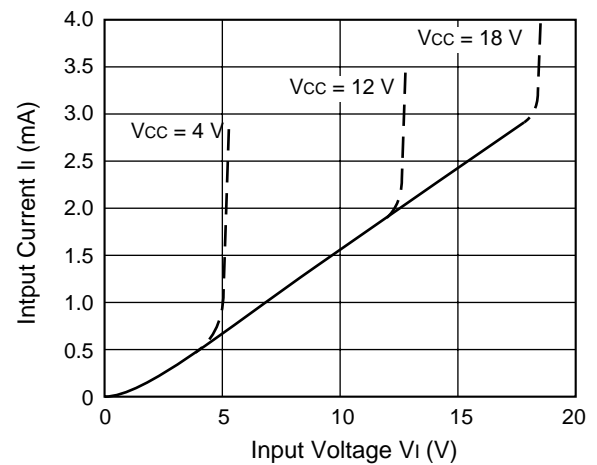
**Power Supply Voltage vs. Power Supply Current**



**Output Current vs. Output Voltage**



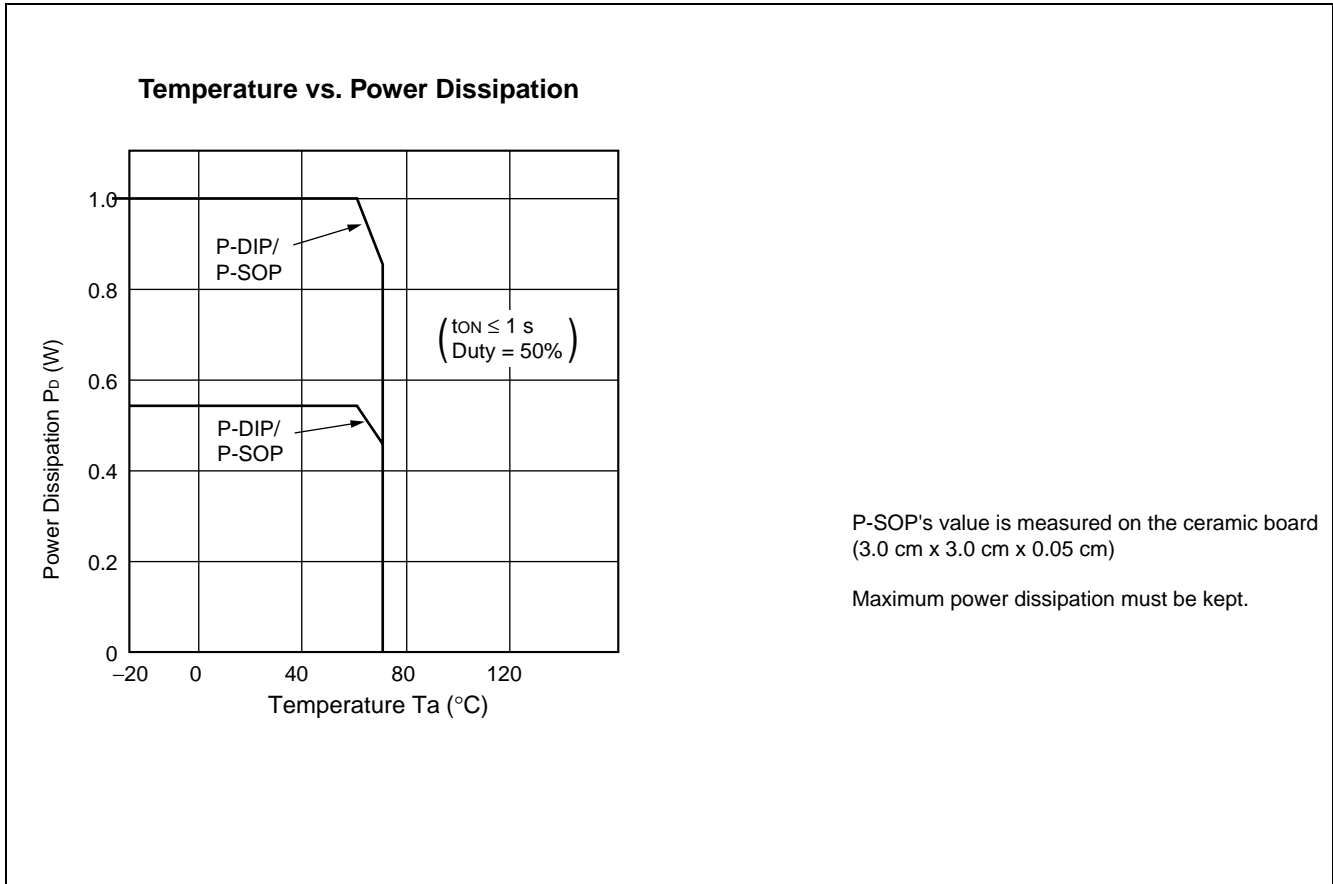
**Input Voltage vs. Input Current**



(Continued)

# MB3763

(Continued)



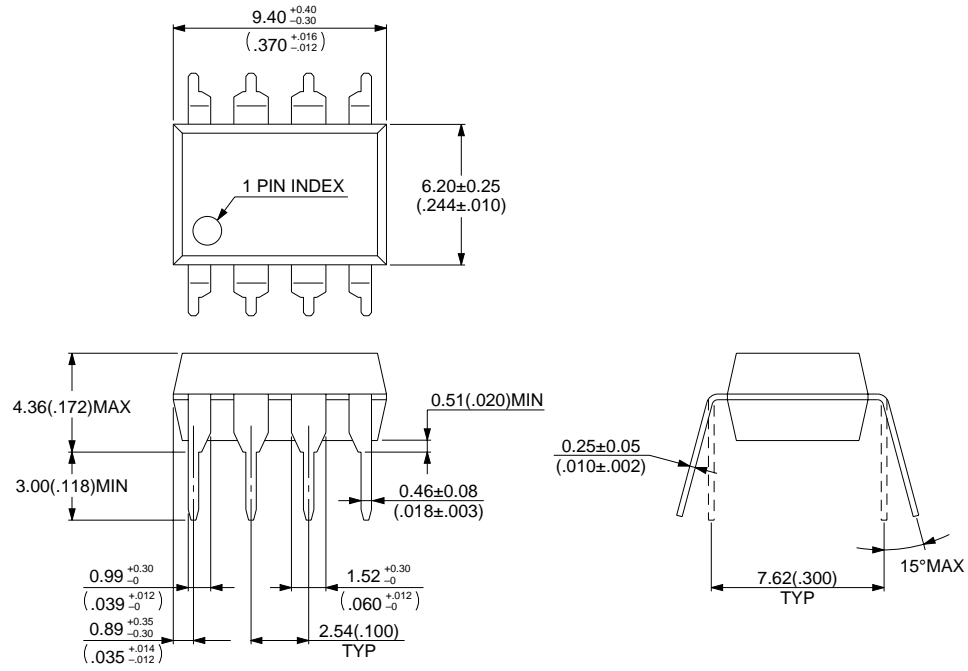
## ■ ORDERING INFORMATION

Part number	Package	Remarks
MB3763	8-pin plastic DIP (DIP-8P-M01)	
MB3763PF	8-pin plastic SOP (FPT-8P-M01)	



## ■ PACKAGE DIMENSIONS

8-pin plastic DIP  
(DIP-8P-M01)



Dimensions in mm (inches)

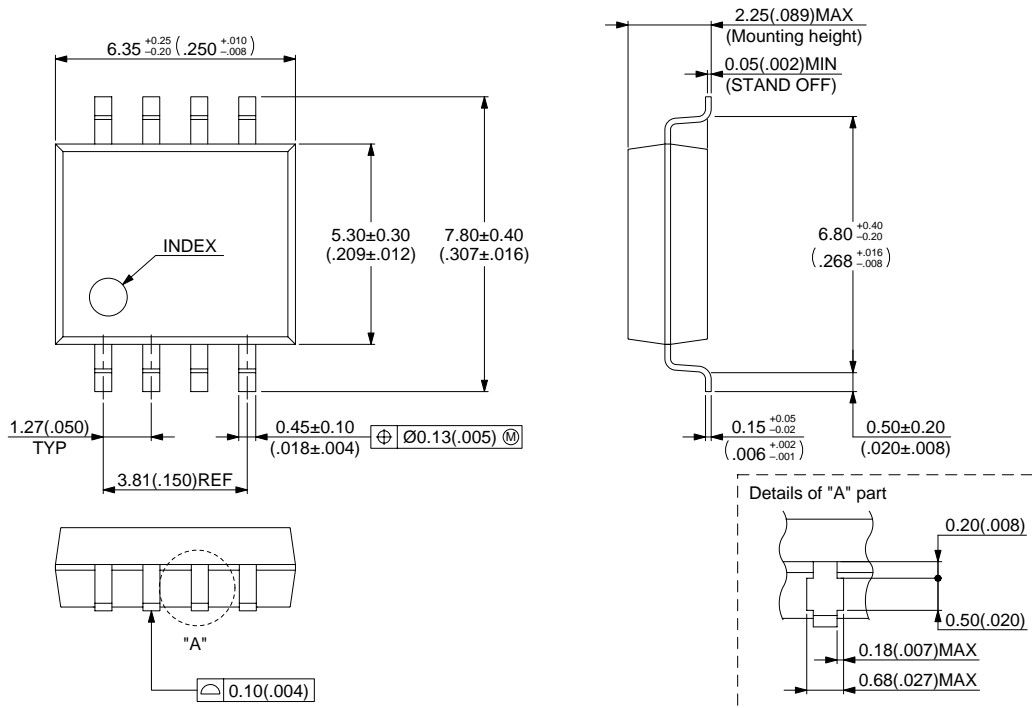
© 1994 FUJITSU LIMITED D08006S-2C-3

(Continued)

# MB3763

(Continued)

8-pin plastic SOP  
(FPT-8P-M01)



Dimensions in mm (inches)

© 2000 FUJITSU LIMITED F08002S-4C-5

## FUJITSU LIMITED

All Rights Reserved.

The contents of this document are subject to change without notice. Customers are advised to consult with FUJITSU sales representatives before ordering.

The information and circuit diagrams in this document are presented as examples of semiconductor device applications, and are not intended to be incorporated in devices for actual use. Also, FUJITSU is unable to assume responsibility for infringement of any patent rights or other rights of third parties arising from the use of this information or circuit diagrams.

The products described in this document are designed, developed and manufactured as contemplated for general use, including without limitation, ordinary industrial use, general office use, personal use, and household use, but are not designed, developed and manufactured as contemplated (1) for use accompanying fatal risks or dangers that, unless extremely high safety is secured, could have a serious effect to the public, and could lead directly to death, personal injury, severe physical damage or other loss (i.e., nuclear reaction control in nuclear facility, aircraft flight control, air traffic control, mass transport control, medical life support system, missile launch control in weapon system), or (2) for use requiring extremely high reliability (i.e., submersible repeater and artificial satellite).

Please note that Fujitsu will not be liable against you and/or any third party for any claims or damages arising in connection with above-mentioned uses of the products.

Any semiconductor devices have an inherent chance of failure. You must protect against injury, damage or loss from such failures by incorporating safety design measures into your facility and equipment such as redundancy, fire protection, and prevention of over-current levels and other abnormal operating conditions.

If any products described in this document represent goods or technologies subject to certain restrictions on export under the Foreign Exchange and Foreign Trade Law of Japan, the prior authorization by Japanese government will be required for export of those products from Japan.

F0101  
© FUJITSU LIMITED Printed in Japan