

# Rectifier Diode D150



## Technical Data

Typical applications : All purpose high power rectifier diodes, Non-controllable rectifiers .  
Free-wheeling diodes & welding

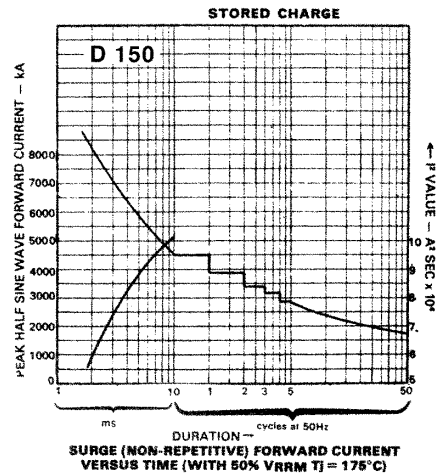
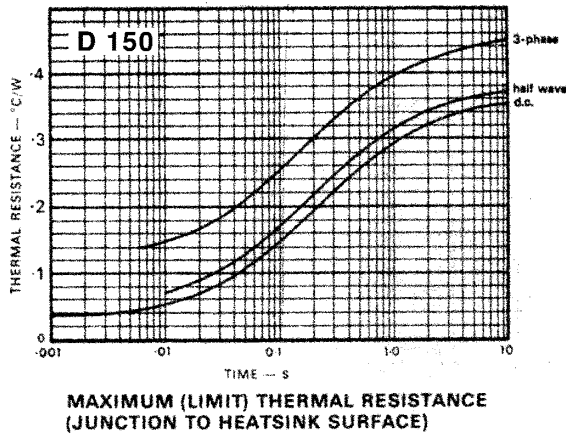
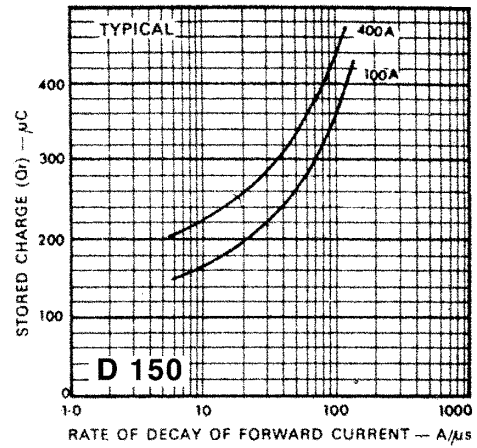
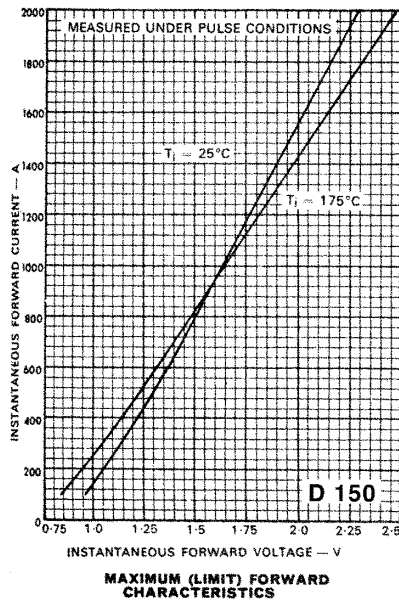
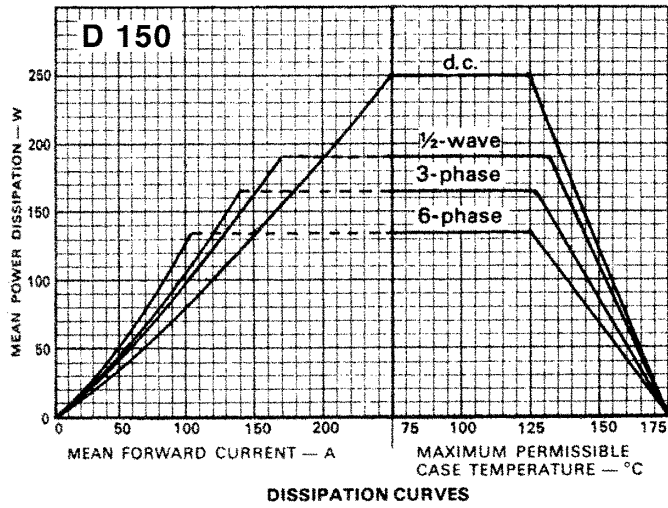
Type No.	$V_{RRM}$ (Volts)	$V_{RSM}$ (Volts)
D150/02	200	300
D150/04	400	500
D150/08	800	900
D150/12	1200	1300
D150/14	1400	1500
D150/16	1600	1700

### Features

- Reverse voltage upto 1600V.
- Hermetic glass to metal seal
- High surge capability
- C : Cathode to stud
- A : Anode to stud

Symbol	Conditions	Values
$I_{F(AV)}$	Sin 180; $T_{case} = 140\text{ }^{\circ}\text{C}$	150 A
$I_{FSM}$	$T_{vj} = 175\text{ }^{\circ}\text{C}$ ; 10 ms with 50% $V_{RRM}$	4.5 KA
$I^2t$	$T_{vj} = 175\text{ }^{\circ}\text{C}$ ; 10 ms	101000 A <sup>2</sup> s
	$T_{vj} = 175\text{ }^{\circ}\text{C}$ ; 3 ms	74000 A <sup>2</sup> s
$I_{RRM}$	$T_{vj} = 175\text{ }^{\circ}\text{C}$	15 mA max
$V_F$	$T_{vj} = 25\text{ }^{\circ}\text{C}$ ; $I_F = 500\text{ A}$	1.35 V max
$V_0$	$T_{vj} = 175\text{ }^{\circ}\text{C}$	0.85 V
$R_0$	$T_{vj} = 175\text{ }^{\circ}\text{C}$	1.10 m
$R_{th(j-c)}$  $R_{th(c-h)}$ $T_{vj}$ $T_{stg}$	d.c.	0.20 $^{\circ}\text{C/W}$
	Half wave	0.22 $^{\circ}\text{C/W}$
	3 phase	0.30 $^{\circ}\text{C/W}$
		0.15 $^{\circ}\text{C/W}$
		175 $^{\circ}\text{C}$
	-40.....+ 175 $^{\circ}\text{C}$	
Mounting torque	SI units	10 Nm / 8Nm per Bolt
Weight	Approx	100g / 170g
Case outline		M,W / H

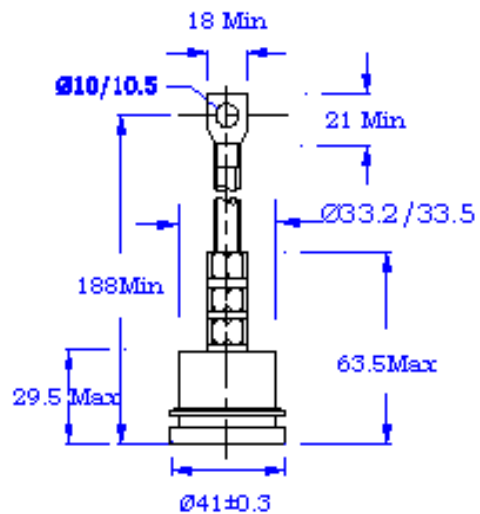
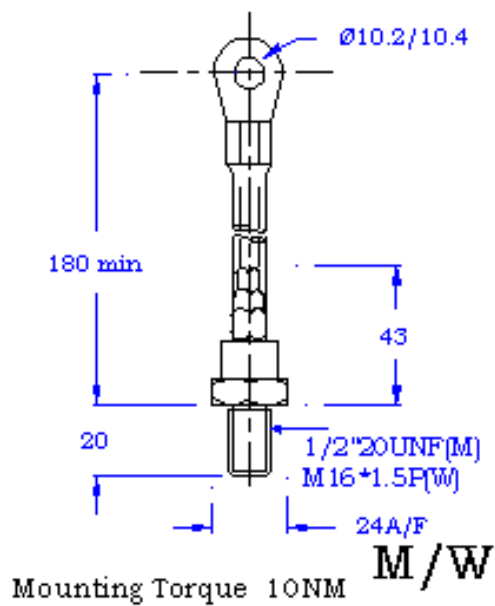




PACAKAGE DEATILS

DO NOT SCALE

All Dimensions in mm



Mounting Torque 8NM/bolt <sup>H</sup>  
(For Two Bolt Mounting)