



Micron Power Resistors

MBP Screw-Fastening Terminal Types (For High Torque)

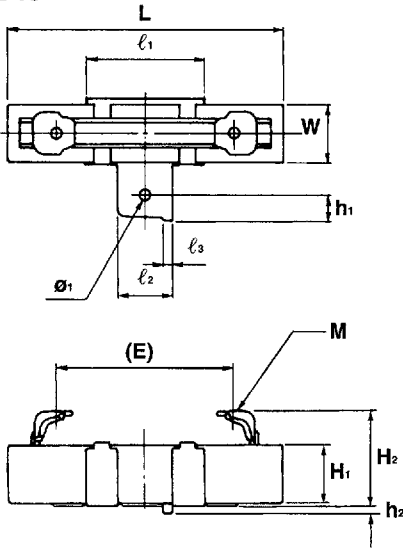
MBC

Please refer to MDS-21211 for more detailed information.

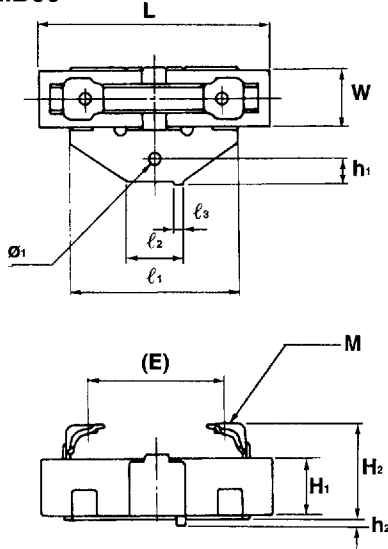
MBS

Making the best use of the fail-safe feature offered by cement resistors, this type has been developed for use in industrial equipment and general applications. This type of resistor is provided with M4 (M5) screwfastening terminals. A pneumatic screwdriver is available for fastening.

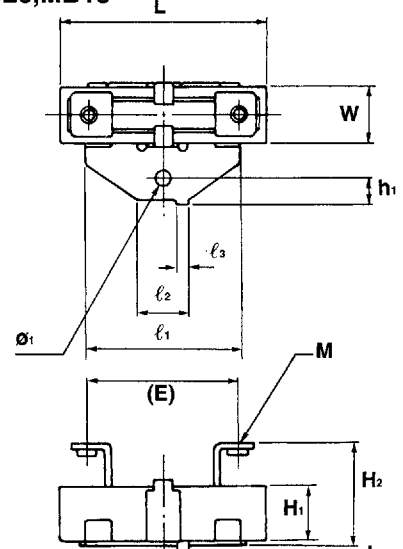
MB40



MB30



MB20, MB15

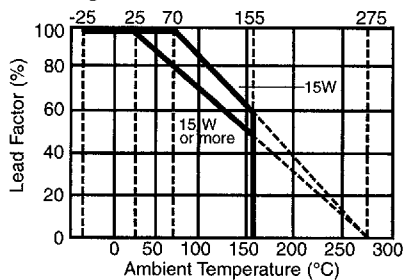


F

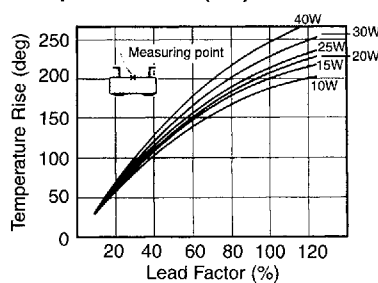
External Dimensions

Shape	L	W	H ₁	H ₂	(E)	M	l ₁	l ₂	l ₃	φ ₁	h ₁	h ₂	Holder Plate Thickness
MB40	90±2.5	19±1.5	19±1.5	31 ⁺³ ₋₁	58	M5xP0.8	39	18	3	4.2	8	2.2	0.8
MB30	75±2.5	19±1.5	19±1.5	31 ⁺³ ₋₁	44	M5xP0.8	55	18	3	4.2	8	2.2	1.0
MB20	63.5±2	12.5±1.2	12.5±1.2	23.5 ⁺² ₋₁	50	M4xP0.7	36	12	3	4	6	2.2	1.0
MB15	48±1.5	12.5±1.2	12.5±1.2	23.5 ⁺² ₋₁	35	M4xP0.7	36	12	3	4	6	2.2	1.0

Derating Curve



Temperature Rise (ref.)



Nominal Resistance Values

Shape	Element Construction	Inductive/Non-Inductive	Rated Power	Nominal Resistance Range	Tolerance					
					Symbol	Tolerance				
MB15	P(Band wire)	N	15W	15mΩ~160mΩ	J	±5%				
							C(Coil)	N	15W	0.14Ω~0.9Ω
	S(Wirewound)	N	9W	0.7Ω~1.2kΩ						
	MB20	P(Band wire)	N	20W			5.5mΩ~200mΩ	K	±10%	
C(Coil)					N	20W				0.19Ω~1.3Ω
		S(Wirewound)	N	15W			0.8Ω~2kΩ			
MB30		P(Band wire)	N	30W	5mΩ~160mΩ	K	±10%			
	C(Coil)							N	30W	0.16Ω~1.8Ω
		S(Wirewound)	N	24W	1.2Ω~3.3kΩ					
	MB40	P(Band wire)	N	40W	5mΩ~0.35Ω			K	±10%	
C(Coil)						N	40W			0.2Ω~2.6Ω
		S(Wirewound)	N	32W	1.3Ω~470Ω					

Part Numbering System

