

Differential Positive ECL (DPECL) Fast Edge SD-B2990 Series

Rev. -

PRELIMINARY

Description

The **SD-B2990 Series** of quartz crystal oscillators provide DPECL Fast Edge compatible signals. Systems designers may now specify space-saving, cost-effective packaged PECL oscillators to meet their timing requirements.

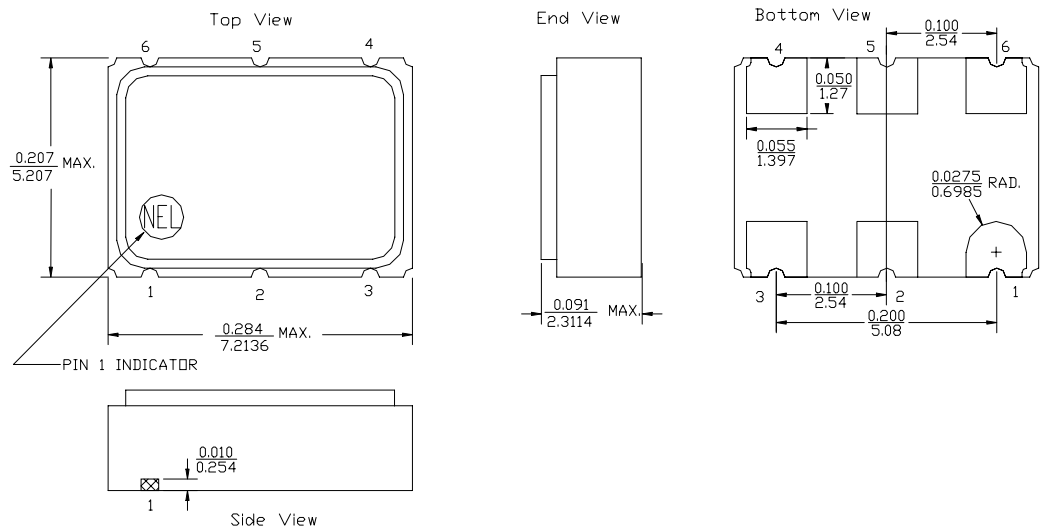
Features

- Wide frequency range—125.0MHz to 312.5MHz
- User specified tolerance available
- Will withstand vapor phase temperatures of 253°C for 4 minutes maximum
- Space-saving alternative to discrete component oscillators
- High shock resistance, to 1000g
- 2.5 volt operation
- Metal lid electrically connected to ground to reduce EMI
- Fast rise and fall times <600 ps
- High Reliability - NEL HALT/HASS qualified for crystal oscillator start-up conditions
- Low Jitter - Wavecrest jitter characterization available
- Overtone technology
- High Q Crystal actively tuned oscillator circuit
- Power supply decoupling internal
- No internal PLL avoids cascading PLL problems
- High frequencies due to proprietary design
- Gold plated pads

Electrical Connection

Pin Connection

- | | |
|---|-------------------------|
| 1 | Enable/Disable |
| 2 | N.C. |
| 3 | V _{EE} /Ground |
| 4 | Output |
| 5 | /Output |
| 6 | V _{CC} |



SD-B2990 Series Continued
Differential Positive ECL (DPECL) Fast Edge

Rev. -

Operating Conditions and Output Characteristics

Electrical Characteristics

Parameter	Symbol	Conditions	Min	Typical	Max
Frequency	----	----	125.0MHz	----	312.5MHz
Duty Cycle	----	@ V _{CC} -1.29V	45/55%	----	55/45%
Logic 0 ⁽²⁾	V _{OL}	----	V _{CC} -1.95V	----	V _{CC} -1.60V
Logic 1 ⁽²⁾	V _{OH}	----	V _{CC} -1.02V	----	V _{CC} -0.74V
Rise & Fall Time	tr,tf	20-80%V _O with 50 ohm load to V _{CC} -2V	----	----	600 psec
T _{pd} ⁽⁴⁾	----	----	-200 psec	----	+200 psec
Jitter, RMS ⁽³⁾	----	----	----	----	3 psec
Enable Voltage	----	with V _{EE} = 0V	2.0V	----	----
Disable Voltage	----	with V _{EE} = 0V	----	----	0.8V
Frequency Stability ⁽¹⁾	dF/F	Overall conditions including: voltage, calibration, temp., 10 yr aging, shock, vibration	-100ppm	----	+100ppm

General Characteristics

Parameter	Symbol	Conditions	Min	Typical	Max
Supply Voltage	V _{CC}	----	2.375V	2.5V	2.625V
Supply Current	I _{CC}	50 ohm termination To 2.00V below V _{CC}	0.0 mA	----	80 mA
Output current	I _O	Low level Output Current	0.0 mA	----	±50.0 mA
Operating temperature	T _A	----	0°C	----	70°C
Storage temperature	T _S	----	-55°C	----	125°C
Power Dissipation	P _D	----	----	----	210 mW
Lead temperature	T _L	Soldering, 10 sec.	----	----	300°C
Load		50 Ohm to V _{CC} -2V or Thevenin Equivalent, Bias Required			
Start-up time	t _S	----	----	2 ms	10 ms

Environmental and Mechanical Characteristics

Mechanical Shock	Per MIL-STD-202, Method 213, Condition E
Thermal Shock	Per MIL-STD-833, Method 1011, Condition A
Vibration	0.060" double amplitude 10 Hz to 55 Hz, 35g's 55Hz to 2000 Hz
Soldering Condition	300°C for 10 seconds
Hermetic Seal	Leak rate less than 1 x 10 ⁻⁸ atm.cc/sec of helium

Footnotes:

- 1) Standard frequency stability (±20,±25,±50ppm & others available)
- 2) V_{OL}, V_{OH}, referenced to ground (V_{EE}) with V_{CC} = 2.5V
- 3) Jitter performance is frequency dependent. Please contact factory for full Wavecrest characterization.
- 4) Tpd is phse shift between the falling edge of pin 4 at 2.0V and the rising edge of pin 5 at 2.01V.

Creating a Part Number	
SD - B299X - FREQ	
Package Code	Tolerance/Performance
SD 6 pad 5x7mm SMD	0 ±100ppm 0-70°C
	1 ±50ppm 0-70°C
	7 ±25ppm 0-70°C
Input Voltage	9 Customer Specific
Code Specification	A ±20ppm 0-70°C
A 3.3V	B ±50ppm -40 to +85°C
B 2.5V	C ±100ppm -40 to +85°C
	5V

