

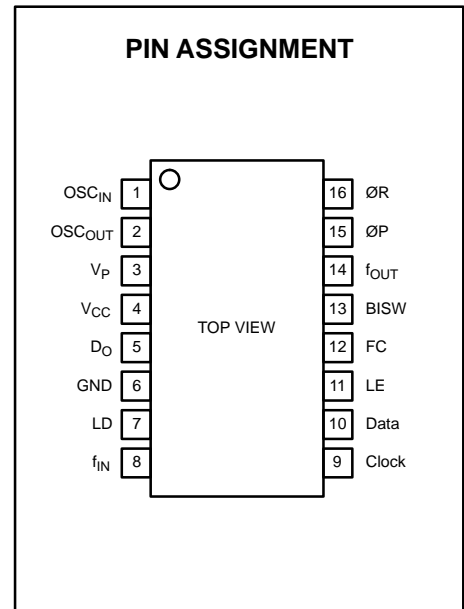
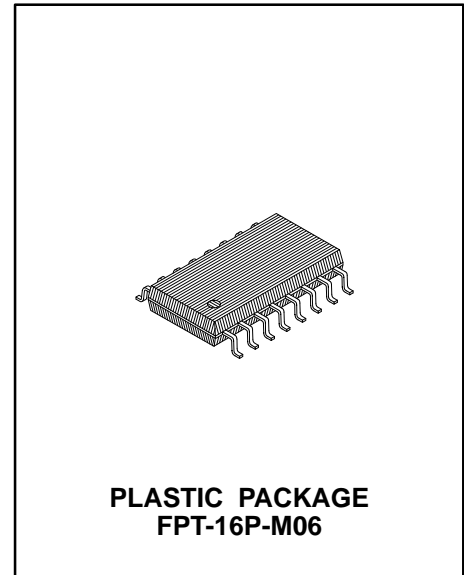
MB1507

SERIAL INPUT PLL FREQUENCY SYNTHESIZER

SERIAL INPUT PLL FREQUENCY SYNTHESIZER WITH 2.0GHz PRESCALER

The Fujitsu MB1507 is a single chip serial input PLL frequency synthesizer designed for Broadcast Satellite tuner and cellular telephone applications. It contains a 2.0 GHz dual modulus prescaler which enables pulse swallow function, and an analog switch to speed up lock up time. It operates supply voltage of 5.0V typ. and dissipates 18mA typ. of current realized through the use of Fujitsu's unique U-ESBIC Bi-CMOS technology.

- High operating frequency: $f_{IN\ MAX}=2.0GHz$ ($P_{IN\ MIN}=-4dBm$)
- Pulse swallow function: 128/129 or 256/257
- Low supply current: $I_{CC}=18mA$ typ.
- Serial input 19-bit programmable divider consisting of:
 - Binary 8-bit swallow counter: 0 to 255
 - Binary 11-bit programmable counter: 16 to 2047
- Serial input 15-bit programmable reference divider consisting of:
 - Binary 14-bit programmable reference counter: 8 to 16383
 - 1-bit switch counter (SW) Sets divide ratio of prescaler
- On-chip analog switch achieves fast lock up time
- 2types of phase detector output
 - On-chip charge pump (Bipolar type)
 - Output for external charge pump
- Wide operating temperature: $-40^{\circ}C$ to $+85^{\circ}C$
- 16-pin Plastic Flat Package (Suffix: -PF)



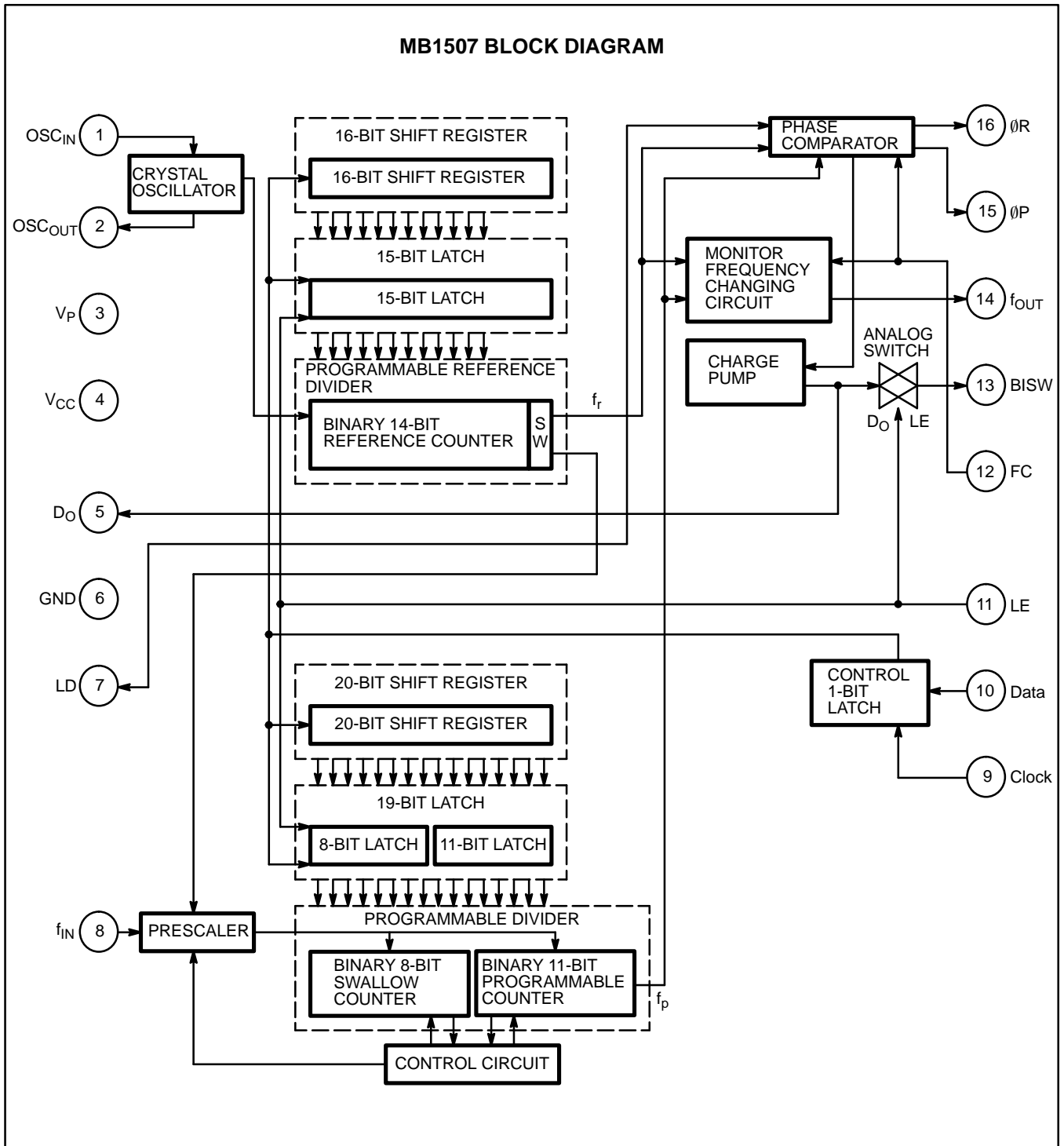
ABSOLUTE MAXIMUM RATINGS (see NOTE)

Rating	Symbol	Value	Unit
Power Supply Voltage	V _{CC}	-0.5 to +7.0	V
	V _P	V _{CC} to 10.0	V
Output Voltage	V _{OUT}	-0.5 to V _{CC} +0.5	V
Open-drain Voltage	V _{OOP}	-0.5 to 8.0	V
Output Current	I _{OUT}	+10	mA
Storage Temperature	T _{STG}	-55 to +125	°C

NOTE: Permanent device damage may occur if the above **Absolute Maximum Ratings** are exceeded. Functional operation should be restricted to the conditions as detailed in the operational sections of this data sheet. Exposure to absolute maximum rating conditions for extended periods may affect device reliability.

This device contains circuitry to protect the inputs against damage due to high static voltages or electric fields. However, it is advised that normal precautions be taken to avoid application of any voltage higher than maximum rated voltages to this high impedance circuit.

MB1507



PIN DESCRIPTION

Pin No.	Pin Name	I/O	Description
1 2	OSC _{IN} OSC _{OUT}	I O	Oscillator input. Oscillator output. A crystal is placed between OSC _{IN} and OSC _{OUT} .
3	V _P	–	Power supply input for charge pump and analog switch.
4	V _{CC}	–	Power supply voltage input.
5	D _O	O	Charge pump output. The characteristics of charge pump is reversed depending upon FC input.
6	GND	–	Ground.
7	LD	O	Phase comparator output. Normally the output level is high level. While the phase difference of f _r and f _p exists, the output becomes low level.
8	f _{IN}	I	Prescaler input. The connection with VCO should be AC connection.
9	Clock	I	Clock input for 20-bit shift register and 16-bit shift register. On rising edge of the clock shifts one bit of data into the shift registers.
10	Data	I	Binary serial data input. The last bit of the data is a control bit which specified destination of shift registers. When this bit is high level and LE is high level, the data stored in shift register is transferred to 15-bit latch. When this bit is low level and LE is high level, the data is transferred to 19-bit latch.
11	LE	I	Load enable input (with pull up resistor). When LE is high or open, the data stored in shift register is transferred into latch depending upon the control bit. At the time, internal charge pump output to be connected to BISW pin because internal analog switch becomes ON state.
12	FC	I	Phase select input of phase comparator (with pull up resistor). When FC is low level, the characteristics of charge pump, phase comparator is reversed. FC pin input signal controls f _{out} pin (test pin) output level, f _r or f _p .
13	BISW	O	Analog switch output. Usually BISW pin is set high-impedance state. When internal analog switch is ON (LE pin is high level), this pin outputs internal charge pump output.
14	f _{OUT}	O	Monitor pin of phase comparator input. f _{out} pin outputs programmable reference divider output (f _r) or programmable divider output (f _p) depending upon FC pin input level. FC=H: It is the same as f _r output level. FC=L: It is the same as f _p output level.
15 16	ØP ØR	O O	Outputs for external charge pump. The characteristics are reversed according to FC input. ØP pin is N-channel open drain output.

FUNCTIONAL DESCRIPTIONS

SERIAL DATA INPUT

Serial data input is achieved by three inputs, such as Data pin, Clock pin and LE pin. Serial data input controls 15-bit programmable reference divider and 19-bit programmable divider, respectively.

Binary serial data is input to Data pin.

On rising edge of clock shifts one bit of serial data into the internal shift registers and when load enable pin is high level or open, stored data is transferred into latch depending upon the control bit.

Control data "H" data is transferred into 15-bit latch.

Control data "L" data is transferred into 19-bit latch.

THE DIVIDE RATIO SETTING

$$f_{VCO} = [(M \times N) + A] \times f_{OSC} + R$$

f_{VCO} : Output frequency of external voltage controlled oscillator (VCO)

M: Preset modulus of external dual modulus prescaler (128 or 256)

N: Preset divide ratio of binary 11-bit programmable counter (16 to 2047)

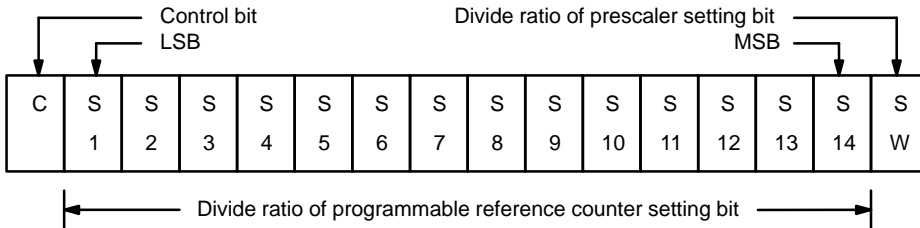
A: Preset divide ratio of binary 8-bit swallow counter ($0 \leq A \leq 255$, $A < N$)

f_{OSC} : Output frequency of the external reference frequency oscillator

R: Preset divide ratio of binary 14-bit programmable reference counter (8 to 16383)

PROGRAMMABLE REFERENCE DIVIDER

Programmable reference divider consists of 16-bit shift register, 15-bit latch and 14-bit reference counter. Serial 16-bit data format is shown below.



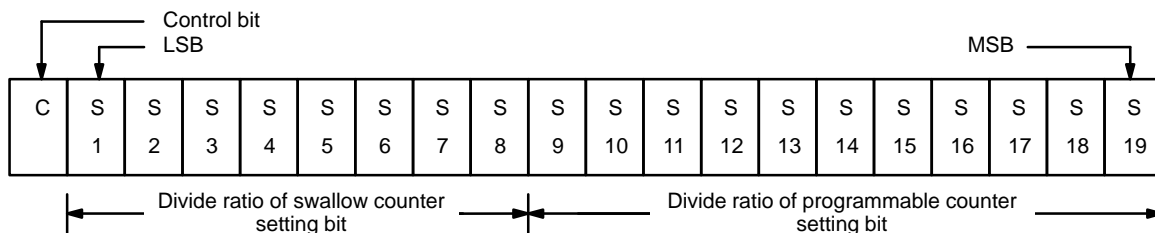
14-BIT PROGRAMMABLE REFERENCE COUNTER DIVIDE RATIO

Divide Ratio R	S14	S13	S12	S11	S10	S9	S8	S7	S6	S5	S4	S3	S2	S1
8	0	0	0	0	0	0	0	0	0	0	1	0	0	0
9	0	0	0	0	0	0	0	0	0	0	1	0	0	1
•	•	•	•	•	•	•	•	•	•	•	•	•	•	•
16383	1	1	1	1	1	1	1	1	1	1	1	1	1	1

- NOTES:** Divide ratio less than 8 is prohibited.
 Divide ratio: 8 to 16383
 SW: This bit selects divide ratio of prescaler.
 SW=H : 128/129
 SW=L : 256/257
 S1 to S14: These bits select divide ratio of programmable reference divider.
 C: Control bit (sets as high level).
 Data is input from MSB side.

PROGRAMMABLE DIVIDER

Programmable divider consists of 20-bit shift register, 19-bit latch, 8-bit swallow counter and 11-bit programmable counter. Serial 20-bit data format is shown below.



8-BIT SWALLOW COUNTER DIVIDE RATIO

Divide Ratio A	S 8	S 7	S 6	S 5	S 4	S 3	S 2	S 1
0	0	0	0	0	0	0	0	0
1	0	0	0	0	0	0	0	1
•	•	•	•	•	•	•	•	•
255	1	1	1	1	1	1	1	1

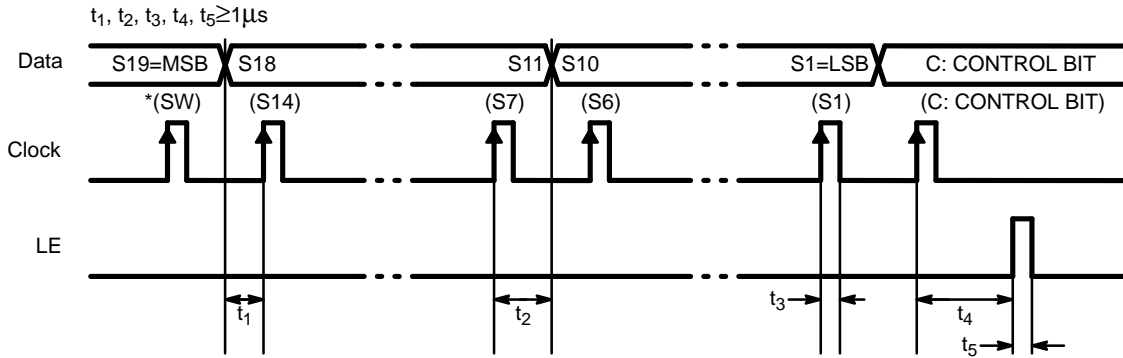
NOTE: Divide ratio: 0 to 255

11-BIT PROGRAMMABLE COUNTER DIVIDE RATIO

Divide Ratio N	S 19	S 18	S 17	S 16	S 15	S 14	S 13	S 12	S 11	S 10	S 9
16	0	0	0	0	0	0	1	0	0	0	0
17	0	0	0	0	0	0	1	0	0	0	1
•	•	•	•	•	•	•	•	•	•	•	•
2047	1	1	1	1	1	1	1	1	1	1	1

NOTES: Divide ratio less than 16 is prohibited.
 Divide ratio: 16 to 2047
 S1 to S8: Swallow counter divide ratio setting bit. (0 to 255)
 S9 to S19: Programmable counter divide ratio setting bit. (16 to 2047)
 C: Control bit (sets to low level).
 Data is input from MSB side.

SERIAL DATA INPUT TIMING



NOTES: Parenthesis data is used for setting divide ratio of programmable reference divider. On rising edge of clock shifts one bit of data into the shift register.

PHASE CHARACTERISTICS

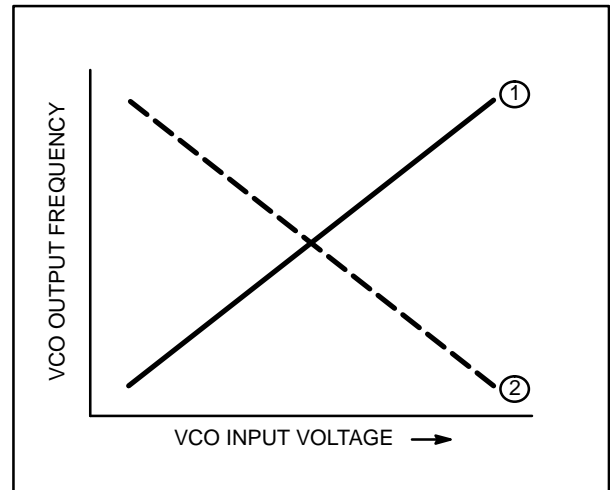
FC pin is provided to change phase polarity of phase comparator. Characteristics of internal charge pump output level (D_O), phase comparator output level ($\emptyset R, \emptyset P$) are reversed depending upon FC pin input level. Also, monitor pin (f_{out}) output level of phase comparator is controlled by FC pin input level.

	FC=H or open				FC=L			
	D_O	$\emptyset R$	$\emptyset P$	f_{out}	D_O	$\emptyset R$	$\emptyset P$	f_{out}
$f_r > f_p$	H	L	L	(f_r)	L	H	Z	(f_p)
$f_r = f_p$	Z	L	Z	(f_r)	Z	L	Z	(f_p)
$f_r < f_p$	L	H	Z	(f_r)	H	L	L	(f_p)

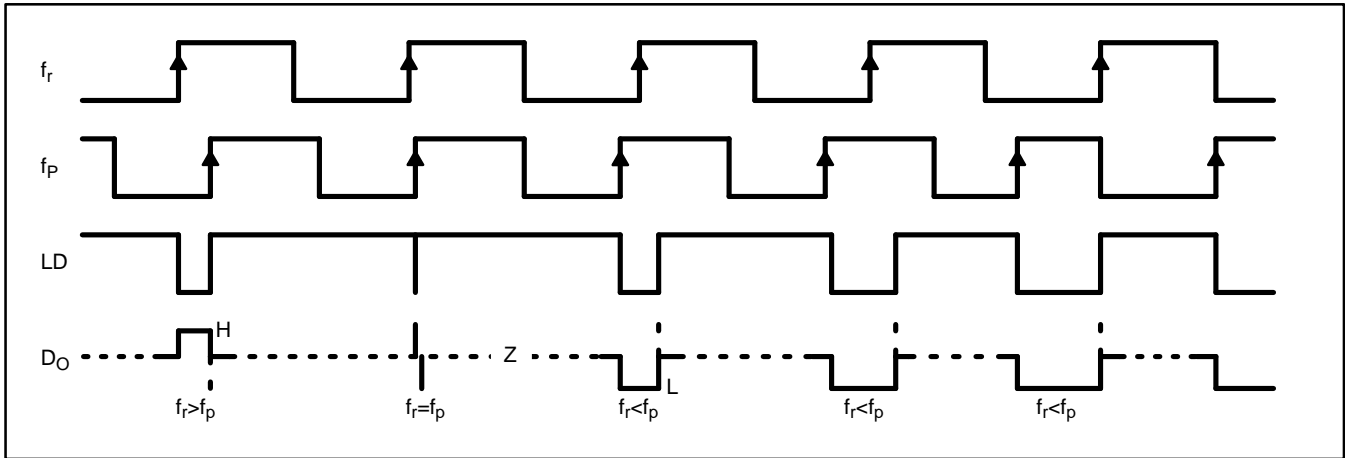
Note: Z=(High impedance)

Depending upon VCO polarity, FC pin should be set accordingly:
 When VCO polarity are like ①, FC should be set High or open circuit;
 When VCO polarity are like ②, FC should be set Low.

VCO POLARITY



PHASE DETECTOR OUTPUT WAVEFORM (FC=High)



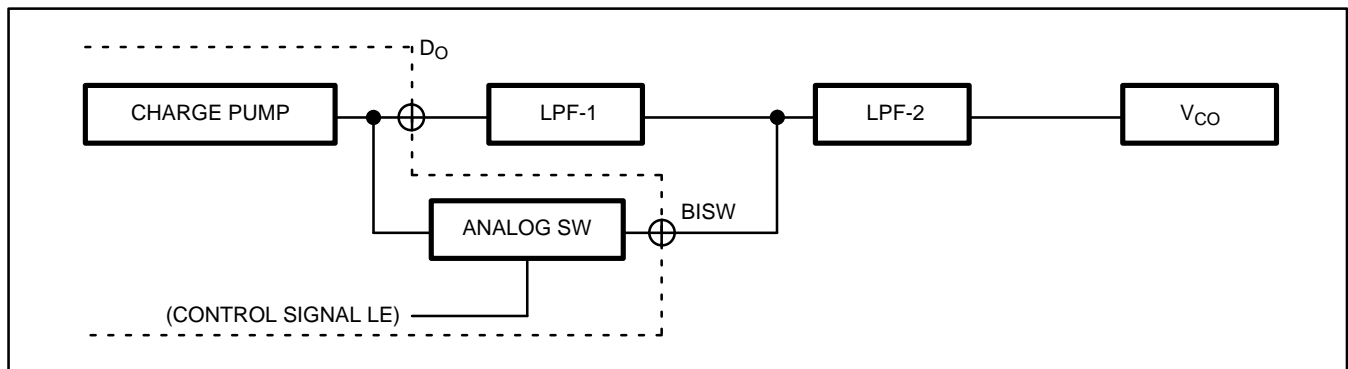
NOTES: Phase difference detection range: -2π to $+2\pi$
 Spike appearance depends on charge pump characteristics. Also, the spike is output in order to diminish dead band.
 When $f_r > f_p$ or $f_r < f_p$, spike might not appear depending upon charge pump characteristics.

ANALOG SWITCH

ON/OFF of analog switch is controlled by LE input signal. When the analog switch is ON, internal charge pump output (D_o) is connected to BISW pin. When the analog switch is OFF, BI-SW pin is set to high-impedance state.

LE	Analog Switch
H(Changing the divide ratio of internal prescaler)	ON
L(Normal operating mode)	OFF

When an analog switch is inserted between LP1 and LP2, faster lock up time is achieved to reduce LPF time constant during PLL channel switching.



RECOMMENDED OPERATING CONDITIONS

Parameter	Symbol	Value			Unit
		Min	Typ	Max	
Power Supply Voltage	V_{CC}	4.5	5.0	5.5	V
	V_P	V_{CC}	—	8.0	V
Input Voltage	V_I	GND	—	V_{CC}	V
Operating Temperature	T_A	-40	—	85	°C

HANDLING PRECAUTIONS

- This device should be transported and stored in anti-static containers.
- This is a static-sensitive device; take proper anti-ESD precautions. Ensure that personnel and equipment are properly grounded. Cover workbenches with grounded conductive mats.
- Always turn the power supply off before inserting or removing the device from its socket.
- Protect leads with a conductive sheet when handling or transporting PC boards with devices.

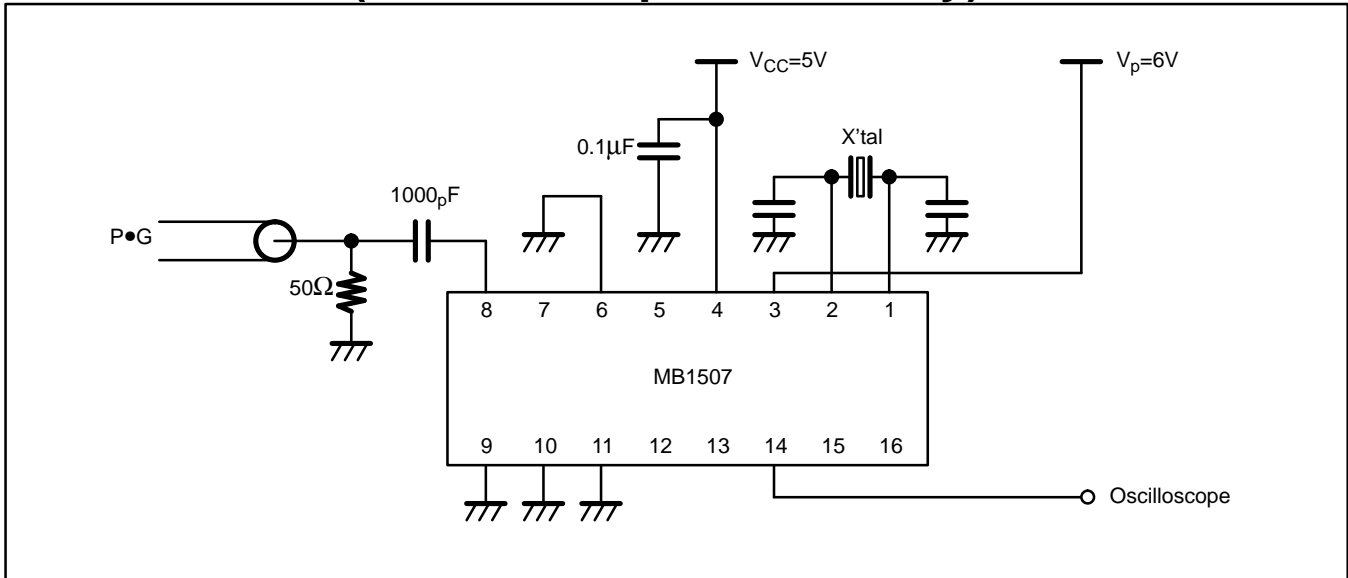
ELECTRICAL CHARACTERISTICS

Parameter	Symbol	Condition	Value			Unit	
			Min	Typ	Max		
Power Supply Current	I_{CC}	Note 1	—	18.0	—	mA	
Operating Frequency	f_{in}	f_{in}	Note 2	10	—	2000	MHz
	OSC _{IN}	f_{OSC}	—	—	12	20	MHz
Input Sensitivity	f_{in}	P_{fin}	50Ω	-4	—	6	dBm
	OSC _{IN}	V_{OSC}	—	0.5	—	—	V _{PP}
High-level Input Voltage	Except f_{in} and OSC _{IN}	V_{IH}	—	$V_{CC} \times 0.7$	—	—	V
Low-level Input Voltage		V_{IL}	—	—	—	$V_{CC} \times 0.3$	V
High-level Input Current	Data Clock	I_{IH}	—	—	1.0	—	μA
Low-level Input Current		I_{IL}	—	—	-1.0	—	μA
Input Current	OSC _{IN}	I_{OSC}	—	—	± 50	—	μA
	LE, FC	I_{LE}	—	—	-60	—	μA
High-level Output Current	Except D _O and OSC _{OUT}	V_{OH}	$V_{CC}=5V$	4.4	—	—	V
Low-level Output Current		V_{OL}		—	—	0.4	V
High Impedance Cutoff Current	D _O , ØP	I_{OFF}	$V_P=V_{CC}$ to 8V $V_{OOP}=GND$ to 8V	—	—	1.1	μA
Output Current	Except D _O and OSC _{OUT}	I_{OH}	—	-1.0	—	—	mA
		I_{OL}	—	1.0	—	—	mA
Analog Switch On Resistance	R_{ON}	—	—	—	25	—	Ω

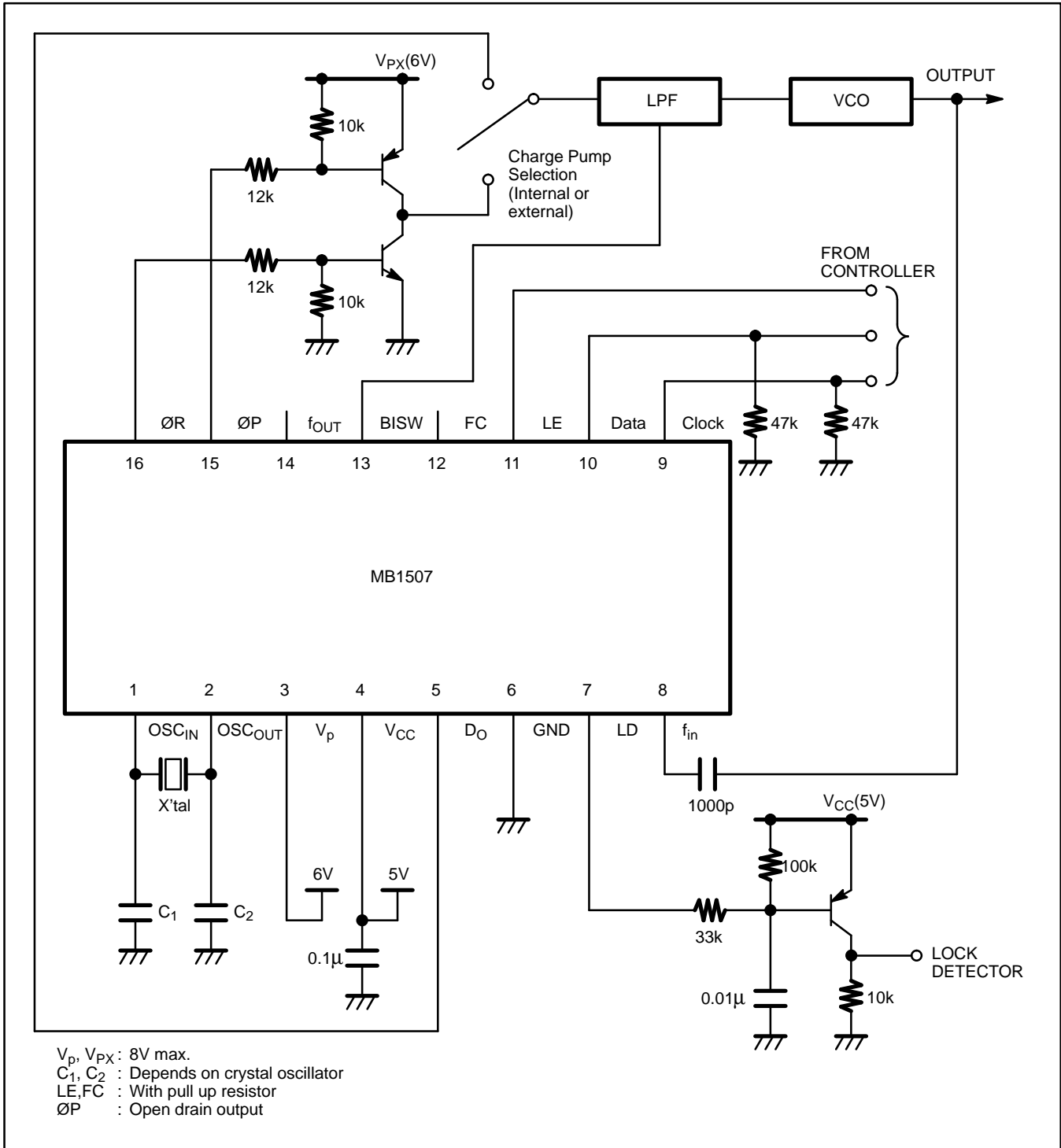
NOTE 1: $f_{in}=2.0GHz$, $f_{OSC}=12MHz$ X'tal $V_{CC}=5V$. Inputs are grounded and outputs are open.

NOTE 2: AC coupling. Minimum operating frequency is measured with a capacitor 1000pF.

TEST CIRCUIT (Prescaler Input Sensitivity)

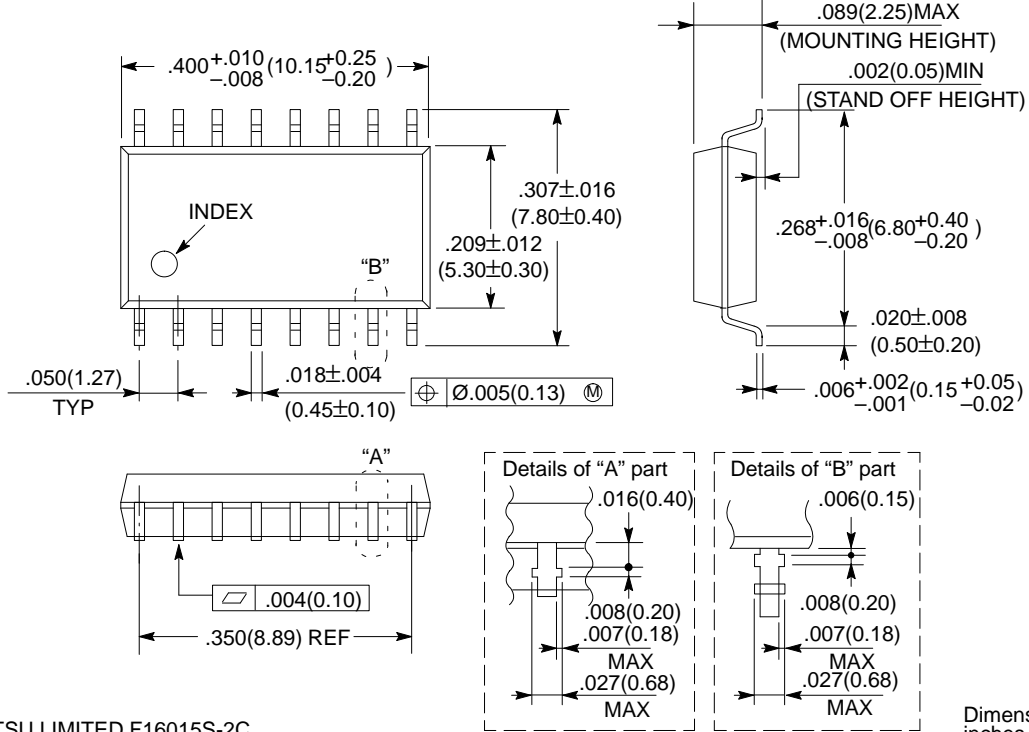


TYPICAL APPLICATION EXAMPLE



PACKAGE DIMENSIONS

16-LEAD PLASTIC FLAT PACKAGE (Case No. : FPT-16P-M06)



©1991 FUJITSU LIMITED F16015S-2C

Dimensions in inches (millimeters)

All Rights Reserved.

Circuit diagrams utilizing Fujitsu products are included as a means of illustrating typical semiconductor applications. Complete Information sufficient for construction purposes is not necessarily given.

The information contained in this document has been carefully checked and is believed to be reliable. However, Fujitsu assumes no responsibility for inaccuracies.

The Information contained in this document does not convey any license under the copyrights, patent rights or trademarks claimed and owned by Fujitsu.

Fujitsu reserves the right to change products or specifications without notice.

No part of this publication may be copied or reproduced in any form or by any means, or transferred to any third party without prior written consent of Fujitsu.

FUJITSU LIMITED

For further information please contact:

Japan

FUJITSU LIMITED
Electronic Devices
International Operations Department
KAWASAKI PLANT, 1015 Kamikodanaka,
Nakahara-ku, Kawasaki-shi,
Kanagawa 211, Japan
Tel: (044) 754-3753
FAX: (044) 754-3332

North and South America

FUJITSU MICROELECTRONICS, INC.
Semiconductor Division
3545 North First Street
San Jose, CA 95134-1804, USA
Tel: (408) 922-9000
FAX: (408) 432-9044/9045

Europe

FUJITSU MIKROELEKTRONIK GmbH
Am Siebenstein 6-10,
63303 Dreieich-Buchsschlag,
Germany
Tel: (06103) 690-0
FAX: (06103) 690-122

Asia Pacific

FUJITSU MICROELECTRONICS ASIA PTE LIMITED
No.51 Bras Basah Road,
Plaza By The Park,
#06-04 to #06-07
Singapore 0718
Tel: 336-1600
FAX: 336-1609

I9501

© FUJITSU LIMITED Printed in Japan