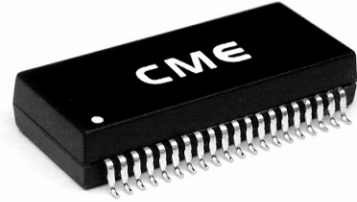




Part Number: **TM4103M**

- Compliant with IEEE 802.3 and ANSI X3.263 standards including 350 uH OCL with 8 mA bias from 0°C to 70°C
- Models designed to support four single or double stacked Rj-45 connectors

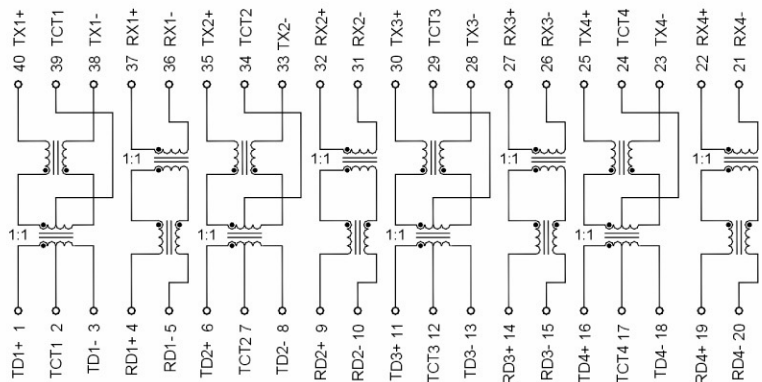
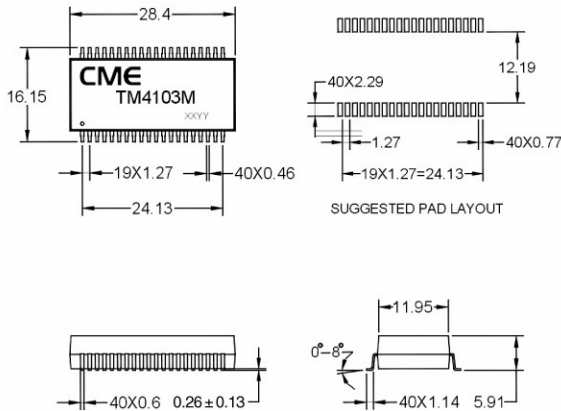


Insertion Loss (dB MAX)	Return Loss (dB MIN)				Crosstalk (dB MIN)				Differential to Common Mode Rejection (dB MIN)		Hipot (Vrms for leakage 0.5mA 2sec)
	1MHz - 100MHz	2-30MHz	40MHz	50MHz	60-80MHz	300KHz	30MHz	60MHz	100MHz	1-60MHz	
-1.1	-16	-14	-12	-10	-50	-45	-40	-33	-37	-25	1500

Electrical Specifications @ 25°C Operating Temperature 0°C to 70°C

Mechanicals

Schematic



Dimensions: mm Unless otherwise specified, all tolerances are ± 0.25