

MCA230X, MCA231X, MCA255X
MCA230, MCA231, MCA255



**OPTICALLY COUPLED ISOLATOR
PHOTODARLINGTON OUTPUT**

APPROVALS

- UL recognised, File No. E91231

'X' SPECIFICATION APPROVALS

- VDE 0884 in 2 available lead form :
- STD
- G form
- VDE 0884 inSMD approval pending
- SETI approved, reg. no.151786-18

DESCRIPTION

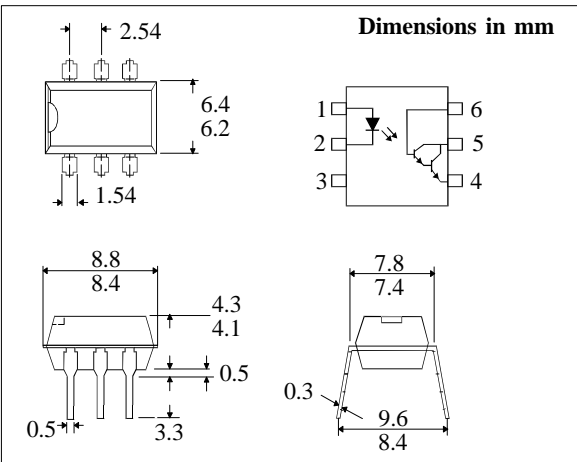
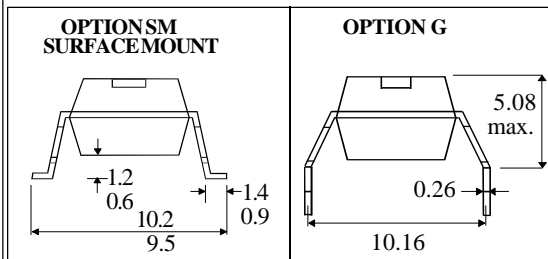
The MCA230, MCA231, MCA255 series of optically coupled isolators consist of an infrared light emitting diode and NPN silicon photodarlington in a space efficient dual in line plastic package.

FEATURES

- Options :-
10mm lead spread - add G after part no.
Surface mount - add SM after part no.
Tape&reel - add SMT&R after part no.
- High Current Transfer Ratio
- High Isolation Voltage (5.3kV_{RMS}, 7.5kV_{PK})
- All electrical parameters 100% tested
- Custom electrical selections available

APPLICATIONS

- Computer terminals
- Industrial systems controllers
- Measuring instruments
- Signal transmission between systems of different potentials and impedances



**ABSOLUTE MAXIMUM RATINGS
(25°C unless otherwise specified)**

Storage Temperature _____ -55°C to + 150°C
Operating Temperature _____ -55°C to + 100°C
Lead Soldering Temperature
(1/16 inch (1.6mm) from case for 10 secs) 260°C

INPUT DIODE

Forward Current _____ 60mA
Reverse Voltage _____ 5V
Power Dissipation _____ 105mW

OUTPUT TRANSISTOR

Collector-emitter Voltage BV_{CEO}
MCA255 _____ 55V
MCA230, MCA231 _____ 30V
Collector-base Voltage BV_{CBO}
MCA255 _____ 55V
MCA230, MCA231 _____ 30V
Emitter-collector Voltage BV_{ECO} _____ 7V
Power Dissipation _____ 150mW

POWER DISSIPATION

Total Power Dissipation _____ 250mW
(derate linearly 3.3mW/°C above 25°C)

ISOCOM COMPONENTS LTD
Unit 25B, Park View Road West,
Park View Industrial Estate, Brenda Road
Hartlepool, Cleveland, TS25 1YD
Tel: (01429) 863609 Fax :(01429) 863581



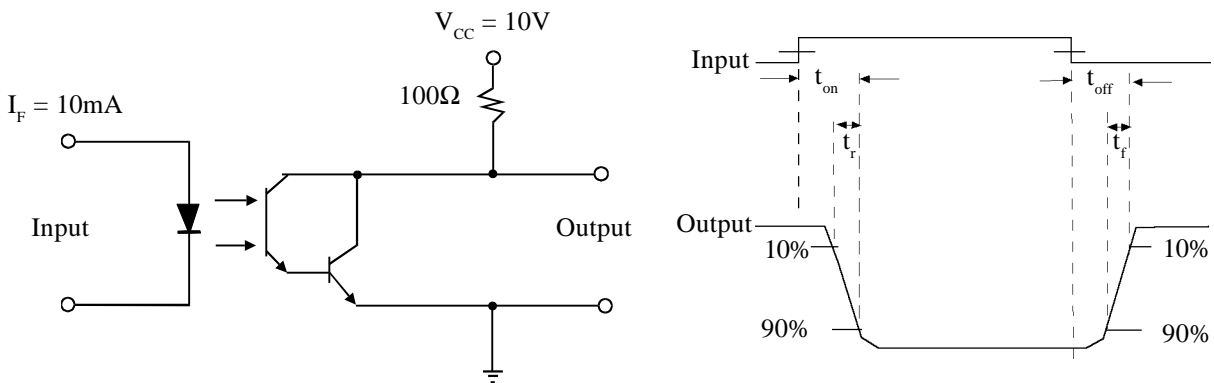
ELECTRICAL CHARACTERISTICS ($T_A = 25^\circ\text{C}$ Unless otherwise noted)

PARAMETER		MIN	TYP	MAX	UNITS	TEST CONDITION	
Input	Forward Voltage (V_F)		1.2	1.5	V	$I_F = 20\text{mA}$ $I_R = 10\mu\text{A}$ $V_R = 3\text{V}$	
	Reverse Voltage (V_R)	3			V		
	Reverse Current (I_R)			10	μA		
Output	Collector-emitter Breakdown (BV_{CEO}) MCA230, MCA231	30			V	$I_C = 100\mu\text{A}$ (note 2)	
	MCA255	55			V		
	Collector-base Breakdown (BV_{CBO}) MCA230, MCA231	30			V	$I_C = 10\mu\text{A}$ (note 2)	
	MCA255	55			V		
	Emitter-collector Breakdown (BV_{ECO})	5			V	$I_E = 10\mu\text{A}$	
	Collector-emitter Dark Current (I_{CEO})			100	nA	$V_{CE} = 10\text{V}$	
Coupled	Collector Output Current (I_C) (Note 2) MCA230, MCA255	100			%	$10\text{mA } I_F, 5\text{V } V_{CE}$ $10\text{mA } I_F, 5\text{V } V_{CE}$	
	MCA231	200			%		
	Collector-emitter Saturation Voltage $V_{CE(SAT)}$ MCA230, MCA255			1.0	V	$50\text{mA } I_F, 50\text{mA } I_C$ $1\text{mA } I_F, 2\text{mA } I_C$ $5\text{mA } I_F, 10\text{mA } I_C$ $10\text{mA } I_F, 50\text{mA } I_C$	
	MCA231			1.0	V		
	Input to Output Isolation Voltage V_{ISO}	5300			V_{RMS}		(note 1)
		7500			V_{PK}		
	Input-output Isolation Resistance R_{ISO}	5×10^{10}			Ω	$V_{IO} = 500\text{V}$ (note 1)	
	Output Turn on Time t_{on}		10		μs	$V_{CC} = 2\text{V}, R_L = 100\Omega,$ $I_F = 10\text{mA}$, fig.1	
	Output Turn off Time t_{off}		100		μs		

Note 1 Measured with input leads shorted together and output leads shorted together.

Note 2 Special Selections are available on request. Please consult the factory.

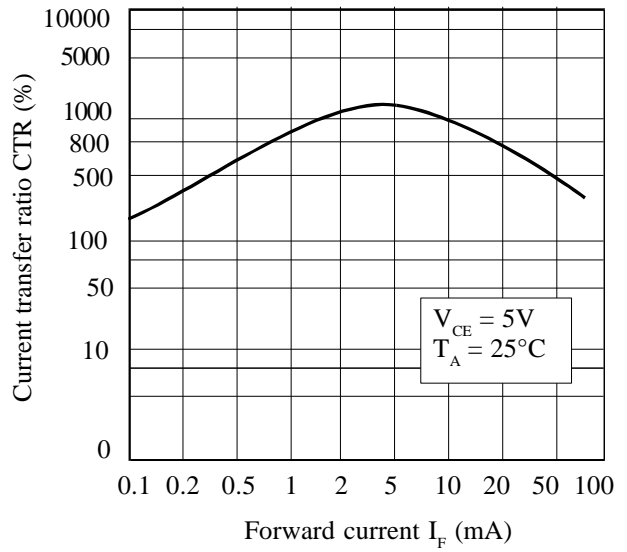
FIGURE 1



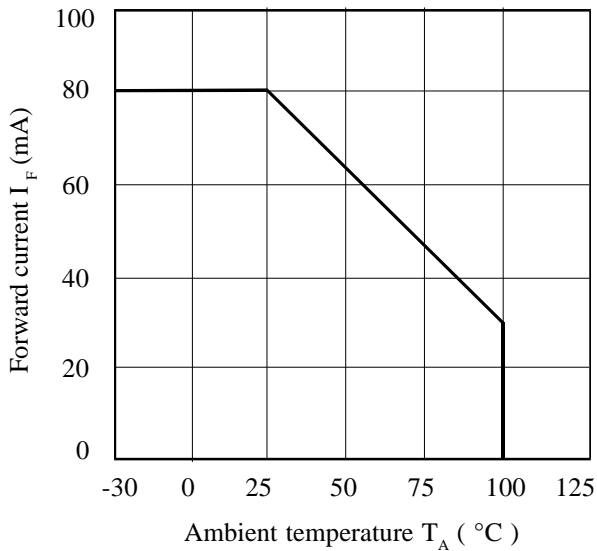
Collector Power Dissipation vs. Ambient Temperature



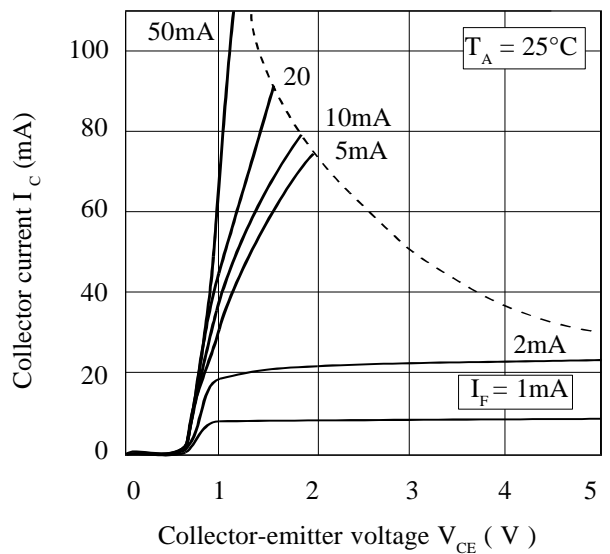
Current Transfer Ratio vs. Forward Current



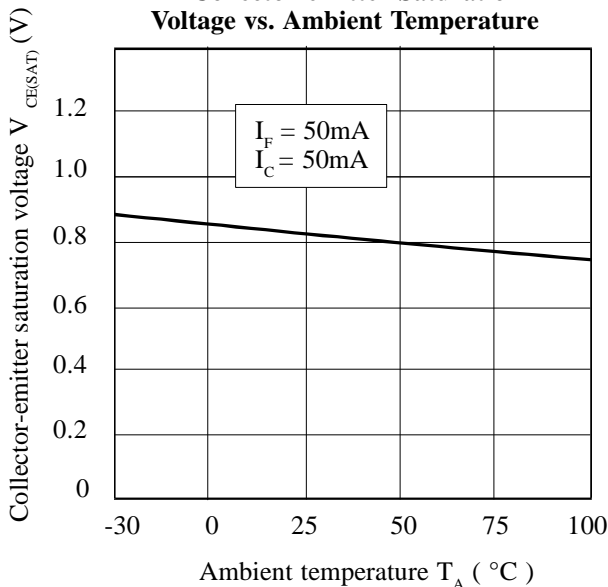
Forward Current vs. Ambient Temperature



Collector Current vs. Collector-emitter Voltage



Collector-emitter Saturation Voltage vs. Ambient Temperature



Relative Current Transfer Ratio vs. Ambient Temperature

