

Ceramic

Frequency Mixer WIDE BAND

New!
MCA1-24

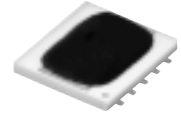
Level 7 (LO Power +7 dBm) 300 to 2400 MHz

Features

- low conversion loss, 6.1 dB typ.
- excellent L-R isolation, 40 dB typ.
- wide bandwidth, 300 to 2400 MHz
- double balanced mixer
- low cost
- low profile, 0.08"

Applications

- cellular
- PCN
- defense & weather radar
- UHF TV
- WCDMA
- defense communications



BLUE CELL™

CASE STYLE: DZ885
PRICE: \$5.95 ea. QTY (10-49)
(Patent pending)

Mixer Electrical Specifications (T_{AMB} = -55°C to 100°C)

MODEL NO.	FREQUENCY (MHz)		CONVERSION LOSS (dB)			LO-RF ISOLATION (dB)		LO-IF ISOLATION (dB)		IP3@ center band Typ. (dBm)	E FACTOR
	LO/RF f _L -f _U	IF	\bar{x}	σ	Max.	Typ.	Min.	Typ.	Min.		
MCA1-24	300-2400	DC-700	6.1	0.1	8.9	40	25	25	15	10	0.3

1dB Compr.: + 1dBm typ.
E = [IP3(dBm)-LO Power(dBm)]/10

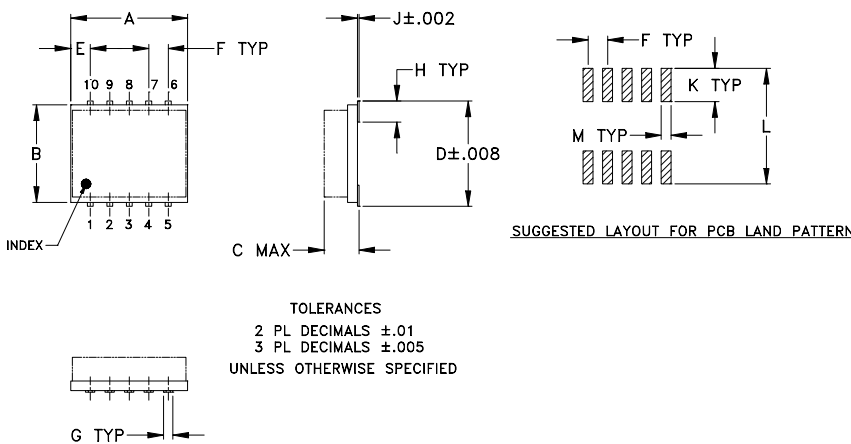
Pin Connections

LO	10
RF	5
IF	3
GROUND	1,2,4,6,7,8,9

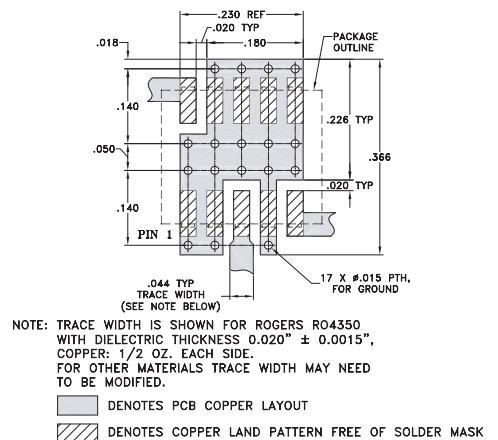
Maximum Ratings

Operating Temperature	-55°C to 100°C
Storage Temperature	-55°C to 100°C
RF Power	50mW
IF Current	40mA

Outline Drawing



Demo Board MCL P/N: TB-144 Suggested PCB Layout (PL-045)



Outline Dimensions (inch/mm)

A	B	C	D	E	F	G	H	J	K	L	M	wt.
.30	.250	.080	.274	.050	.050	.024	.05	.004	.085	.296	.030	grams
7.62	6.35	2.03	6.96	1.27	1.27	0.61	1.27	0.10	2.16	7.52	0.76	0.3



Distribution Centers NORTH AMERICA 800-654-7949 • 417-335-5935 • Fax 417-335-5945 • EUROPE 44-1252-832600 • Fax 44-1252-837010

INTERNET <http://www.minicircuits.com>

P.O. Box 350166, Brooklyn, New York 11235-0003 (718) 934-4500 Fax (718) 332-4661

ISO 9001 CERTIFIED

REV. C
M85169
ED-9574/6
MCA1-24
DJ/TD/CP
030203
Page 1 of 2

Typical Performance Data at 25°C

Frequency		Conversion Loss (dB)	Isolation L-R (dB)	Isolation L-I (dB)	VSWR LO port (:1)	VSWR RF port (:1)
RF MHz	LO MHz	LO +7 dBm	LO +7 dBm	LO +7 dBm	LO +7 dBm	LO +7 dBm
301.00	331.00	5.65	49.09	22.79	6.94	1.98
401.00	431.00	4.79	42.44	24.50	2.42	1.37
501.00	531.00	6.25	44.11	26.82	1.36	3.58
701.00	731.00	6.44	43.51	26.63	2.12	3.58
901.00	931.00	6.94	42.58	28.29	3.78	4.77
1151.00	1181.00	7.00	43.47	29.90	4.32	4.79
1301.00	1331.00	7.04	41.88	30.02	4.91	3.94
1501.00	1531.00	5.51	39.43	27.85	3.22	1.91
1701.00	1731.00	4.99	36.78	25.41	1.64	1.29
2001.00	2031.00	5.90	33.55	23.65	2.56	2.15
2401.00	2431.00	7.09	36.83	29.81	4.83	3.39

Performance Charts

