

MB3120 COMPANDOR IC

COMPANDOR IC

The Fujitsu MB3120 is a compandor IC to expand dynamic range at transmission/reception systems and to improve the tone quality by means of restricting noise.

Two function are loaded on one IC, the one is the compressor which has the 2/1 ratio of input/output ratio by logarithm, and the expander which has the 1/2 ratio of input/output ratio by logarithm.

The MB3120 is encapsulated in a small package, this enables high density mounting.

The MB3120 is well suitable for a mobile radio system like as cellular radio, MCA and handy telephone set.

- Wide power supply voltage range (3.2V to 10.0V)
- Low power supply current
- On-chip both compressor and expander
- Wide dynamic range
- Less external elements
- Inhibit function with compression/expansion ratio of one
- Equipped with mute function which cut off the output signal
- 16-pin Flat Package
17-pin Zig-zag In-line Package

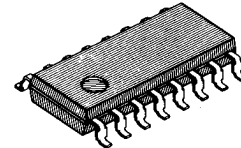
ABSOLUTE MAXIMUM RATINGS (See NOTE)

($T_A = 25^\circ\text{C}$)

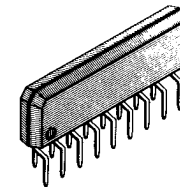
Rating	Symbol	Value	Unit
Power Supply Voltage	V_{CC}	12	V
Mute Control Voltage	V_{MUTE}	5*	V
Inhibit Control Voltage	V_{INH}	5*	V
Power Dissipation	P_D	560	mW
Operating Temperature	T_A	-20 to +75	$^\circ\text{C}$
Storage Temperature	T_{STG}	-55 to +125	$^\circ\text{C}$

*: This value takes V_{CC} when V_{CC} is less than 5V.

NOTE: Permanent device damage may occur if ABSOLUTE MAXIMUM RATINGS are exceeded. Functional operation should be restricted to the conditions as detailed in the operational sections of this data sheet. Exposure to absolute maximum rating conditions for extended periods may affect device reliability.

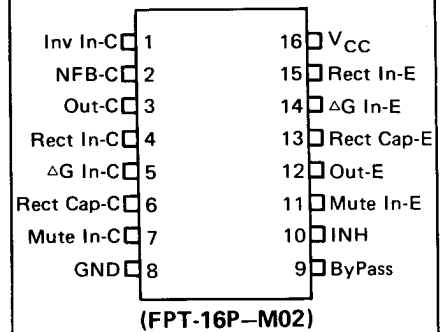


PLASTIC PACKAGE
FPT-16P-M04



PLASTIC PACKAGE
ZIP-17P-M01

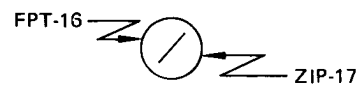
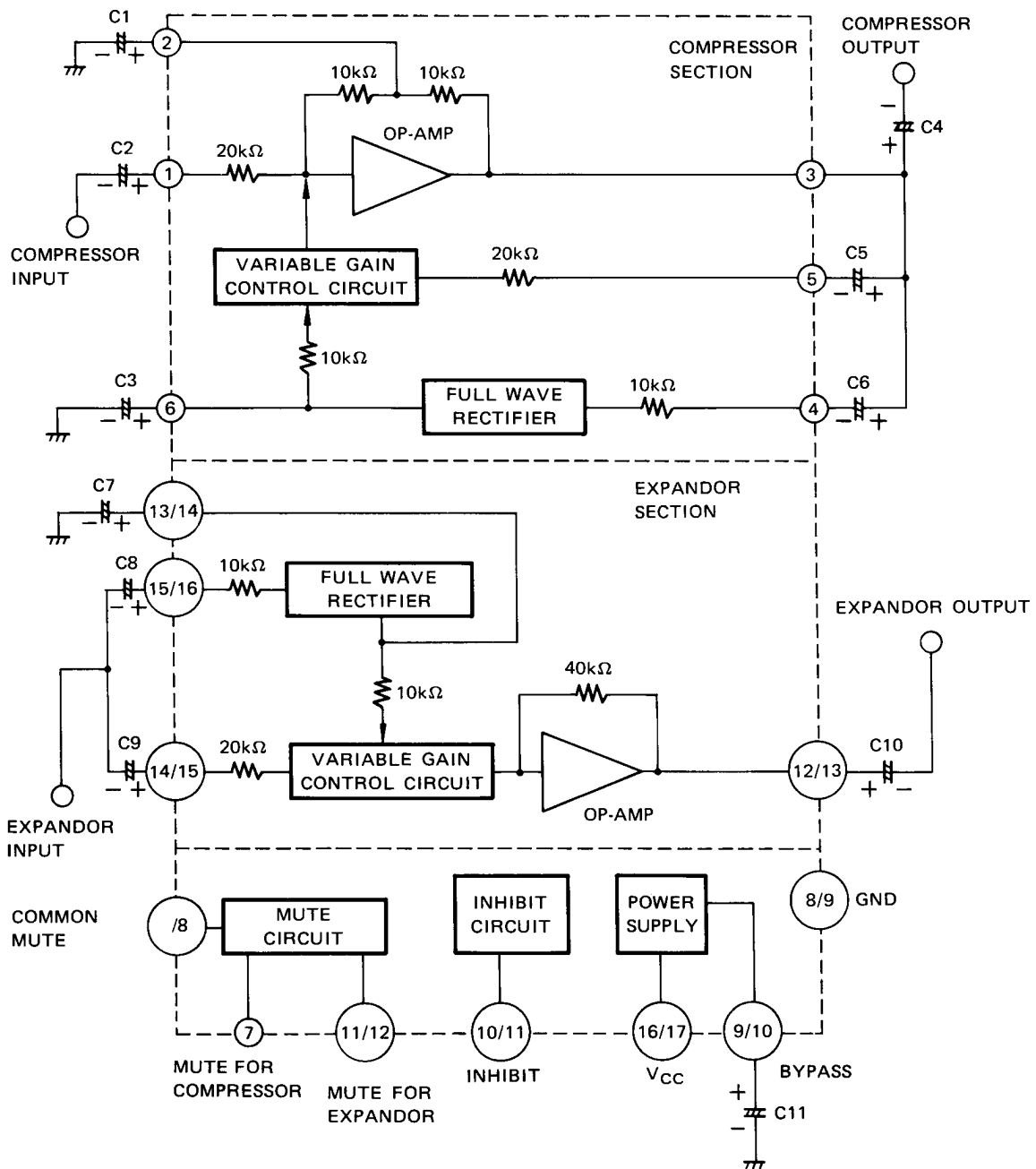
PIN ASSIGNMENT (TOP VIEW)



ZIP-17P-M01 Pin Assignment
Please See Page 12

This device contains circuitry to protect the inputs against damage due to high static voltages or electric fields. However, it is advised that normal precautions be taken to avoid application of any voltage higher than maximum rated voltages to this high impedance circuit.

MB3120 BLOCK DIAGRAM



BLOCK DESCRIPTIONS

C_1 : C_1 determines the low cut off frequency of compressor section.

$$f_c = \frac{1}{2\pi R \cdot C_1}$$

R is on chip feed back resistor (10k Ω typ.)

C_2, C_8, C_9 : Input coupling condenser

C_3, C_7 : Smooth capacitor of full wave rectifier. Attack time and recovery time are determined by C_3 and C_7 .

Time constant T_C can be calculated.

$$T_C \text{ (ms)} \doteq 10 \times C_3 \text{ (\mu F)}$$

C_4, C_{10} : Output coupling condenser

C_5, C_6 : Coupling condenser for internal feed back of compressor section.

C_{11} : Ripple filter condenser

RECOMMENDED OPERATING CONDITIONS

Parameter	Symbol	Value			Unit
		Min	Typ	Max	
Power Supply Voltage	V_{CC}	3.2		10	V
Operating Temperature	T_A	-20		75	$^{\circ}\text{C}$

ELECTRICAL CHARACTERISTICS

($V_{CC} = 8\text{V}$, $T_A = 25^{\circ}\text{C}$, $f = 1\text{kHz}$, $R_L = 10\text{k}\Omega$)

Parameter	Symbol	Condition	Value			Unit
			Min	Typ	Max	
Power Supply Current	I_{CC}			3.0	4.5	mA

Compressor

Input Resistance	R_{INC}		14	20		k Ω
Input Reference Level	V_{OC0}	$V_{IN} = -6\text{dBm}$	-10.5	-9.0	-7.5	dBm
		$V_{IN} = -6\text{dBm}$, $T_A = -20 \text{ to } 75^{\circ}\text{C}^*2$	-2.5	0	2.5	dB
Output Level*1	V_{OC1}	$V_{IN} = -20\text{dB}$	-10.5	-10.0	-9.5	dB
	V_{OC2}	$V_{IN} = -40\text{dB}$	-20.7	-20.0	-19.3	dB
	V_{OC3}	$V_{IN} = -60\text{dB}$	-31.5	-30.0	-29.0	dB
		$V_{IN} = -60\text{dB}$, $T_A = -20 \text{ to } 75^{\circ}\text{C}^*2$	-4.0	0	3.0	dB
	V_{OC4}	$V_{IN} = -80\text{dB}$		-40.0		dB

ELECTRICAL CHARACTERISTICS (continued)

Parameter	Symbol	Condition	Value			Unit
			Min	Typ	Max	

Expander

Input Resistance	R_{INE}		4.7	6.7		$k\Omega$
Input Reference Level	V_{OE0}	$V_{IN} = -9dBm$	-1.5	0	1.5	dBm
		$V_{IN} = -9dBm$, $T_A = -20 \text{ to } 75^\circ C^{*2}$	-2.5	0	2.5	dB
Output Level*1	V_{OE1}	$V_{IN} = -10dB$	-20.5	-20.0	-19.5	dB
	V_{OE2}	$V_{IN} = -20dB$	-40.7	-40.0	-39.3	dB
	V_{OE3}	$V_{IN} = -30dB$	-61.0	-60.0	-58.5	dB
		$V_{IN} = -30dB$, $T_A = -20 \text{ to } 75^\circ C^{*2}$	-3.0	0	4.5	dB
V_{OE4}	$V_{IN} = -40dB$		-80.0		dB	

Compressor

Total Harmonic Distortion	THD	$V_O = 0dBm$		0.5	2.0	%
Output Noise Voltage	V_{ON}	$BW = 100Hz \text{ to } 5kHz$			-80.0	dBm
Voltage Gain	A_V	$V_{IN} = -6dBm$	4.5	6.0	7.5	dB
Gain Deviation 1	ΔA_{V1}	$V_{IN} = -6dBm$, $T_A = -20 \text{ to } 75^\circ C^{*2}$	-3.0	0	3.0	dB
Gain Deviation 2	ΔA_{V2}	$f = 200Hz \text{ to } 5kHz$, $V_{O1} = 0dBm$	-0.5	0	0.5	dB
Voltage Gain at Inhibit	A_{VINH}	$V_{IN} = -6dBm$, $V_{ININH} = 0.4V$	4.5	6.0	7.5	dB

Compressor Mute Attenuation*3	V_{OCMUTE}	$V_{IN} = -6dBm$, $V_{INCMUTE} = 2.7V$		-50		dBm
Expander Mute Attenuation*3	V_{OEMUTE}	$V_{IN} = -9dBm$, $V_{INEMUTE} = 2.7V$		-70		dBm
High-level Control Voltage for Mute and Inhibit Pins*3	V_{IH}		2.7			V
Low-level Control Voltage for Mute and Inhibit Pins*3	V_{IL}				0.4	V

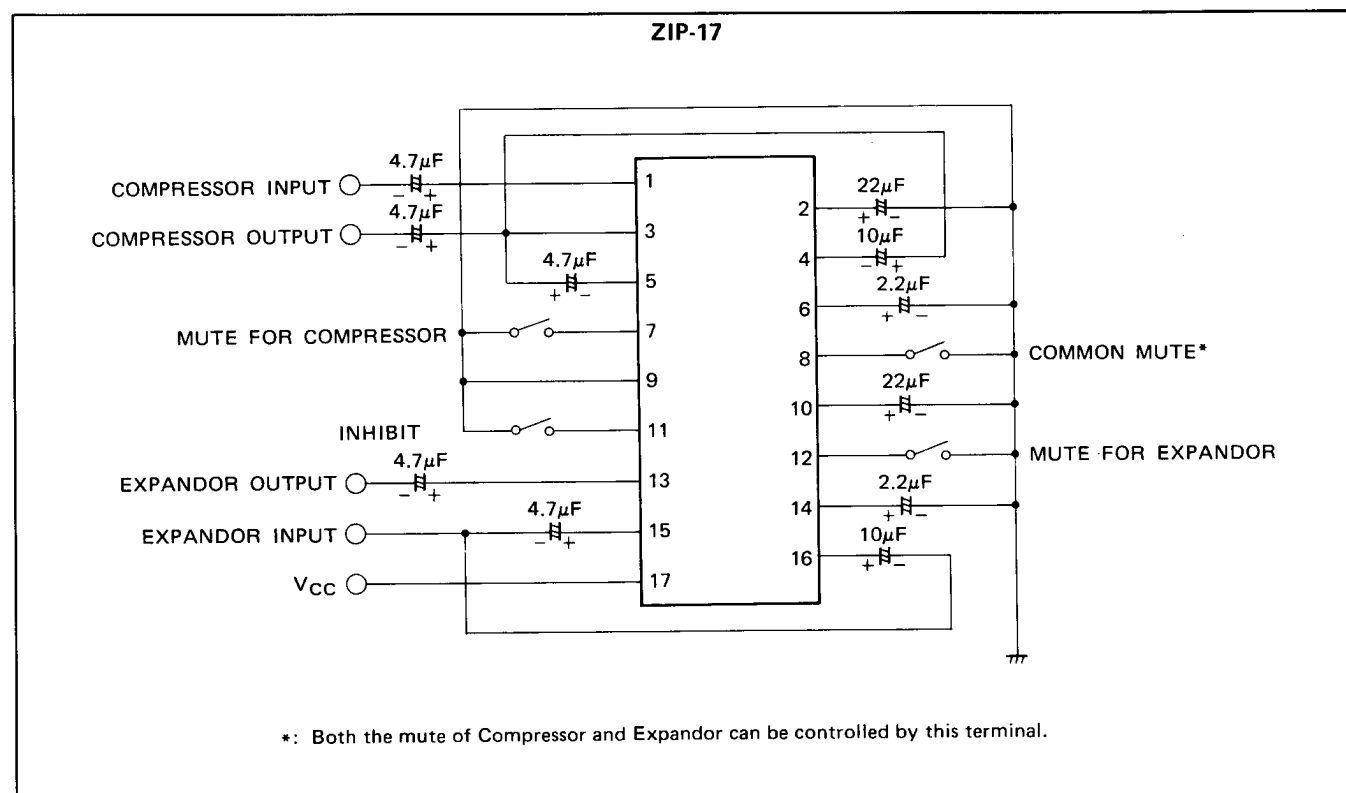
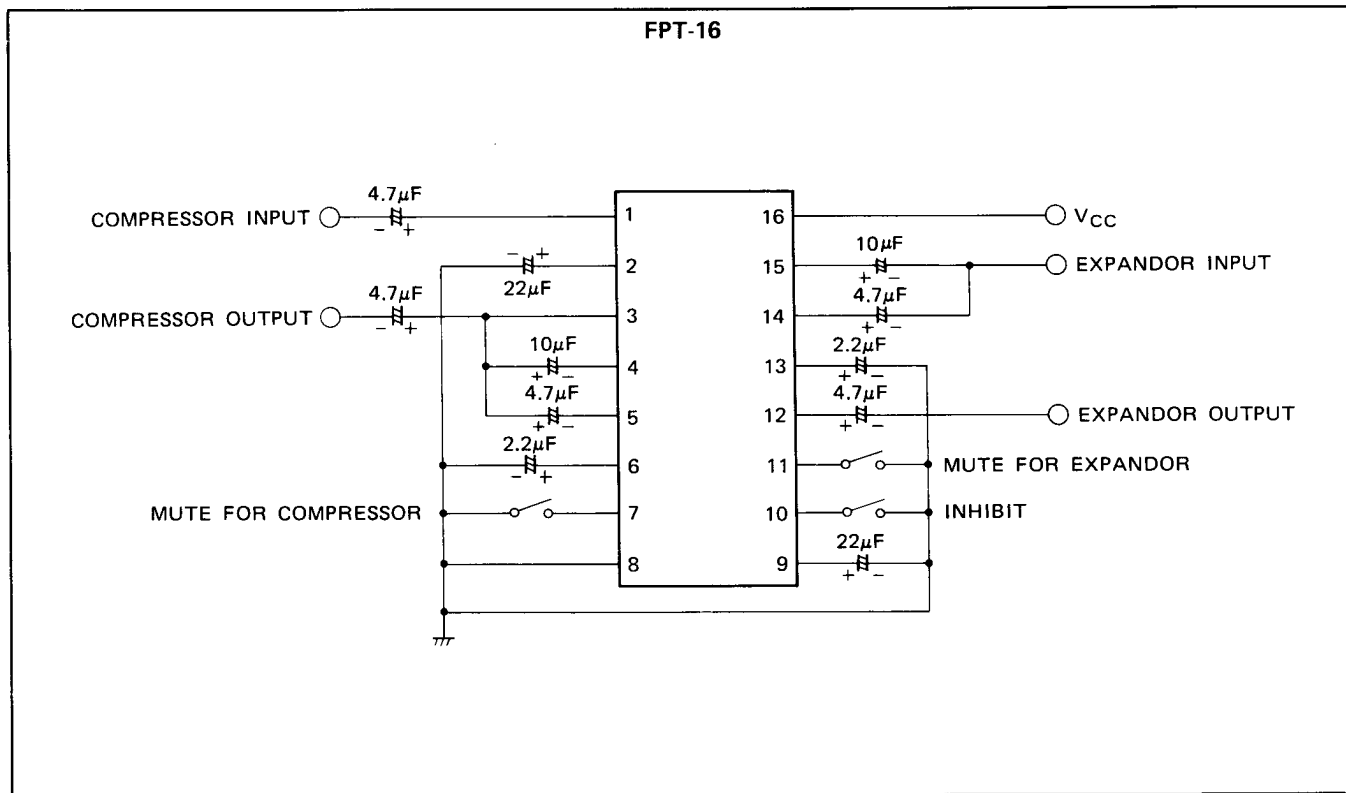
Notes:

*1 Measured at input reference level of 0dB.

*2 Gain deviation with temperature when output level of 25°C is specified as 0dB.

*3 As for Zip-17 pin, both compressor and expander circuit enter mute function depending on 8 pin input.

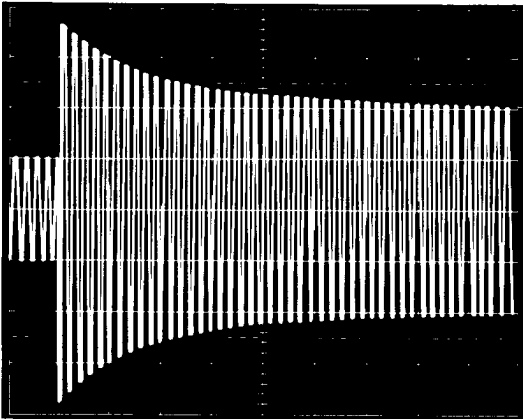
TYPICAL CONNECTION EXAMPLE



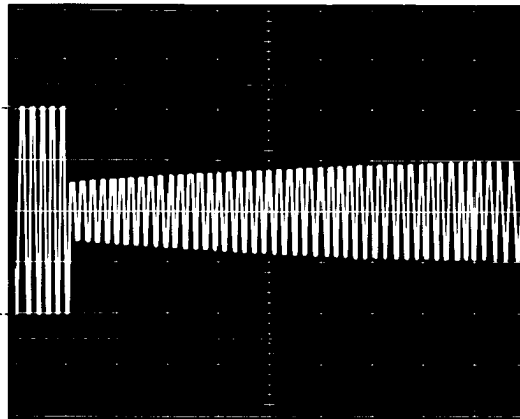
OUTPUT TRANSITION RESPONSE CHARACTERISTICS

Condition: $V_{CC} = 8V$, $f = 1kHz$, $R_L = 10k\Omega$, Mute OFF, INH OFF, Typ. connection

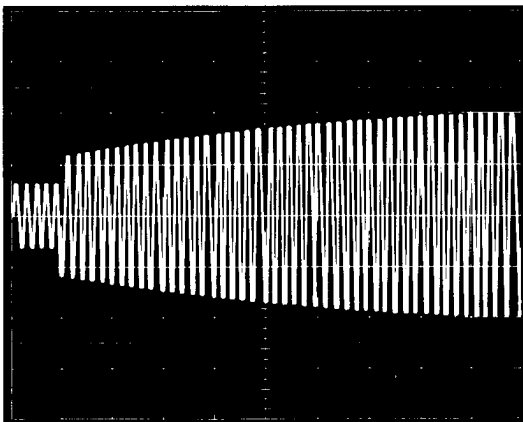
COMPRESSOR (Y: 0.2V/div, X: 5msec/div)
 $V_{IN} = -18dBm \rightarrow -6dBm$ ($V_O = -15dBm \rightarrow -9dBm$)



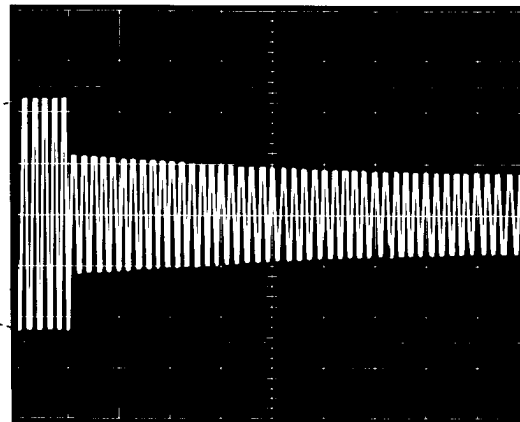
$V_{IN} = -6dBm \rightarrow -18dBm$ ($V_O = -9dBm \rightarrow -15dBm$)



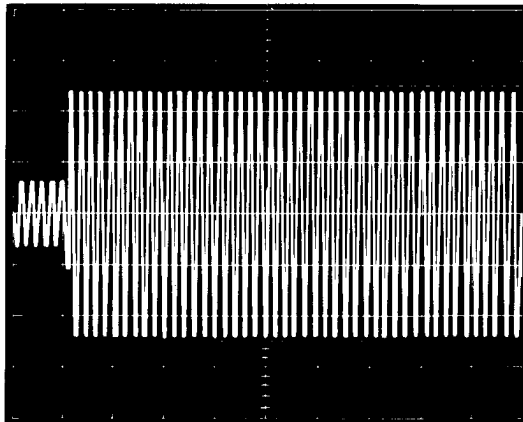
EXPANDOR (Y: 0.5V/div, X: 5msec/div)
 $V_{IN} = -15dBm \rightarrow -9dBm$ ($V_O = -12dBm \rightarrow 0dBm$)



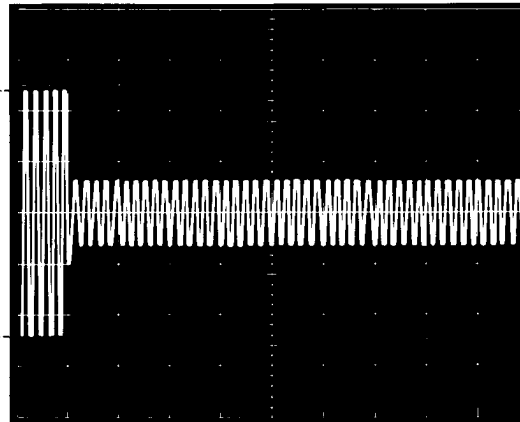
$V_{IN} = -9dBm \rightarrow -15dBm$ ($V_O = 0dBm \rightarrow -12dBm$)



COMPANDOR (Y: 0.5V/div, X: 5msec/div)
 $V_{IN} = -18dBm \rightarrow -6dBm$ ($V_O = -12dBm \rightarrow 0dBm$)



$V_{IN} = -6dBm \rightarrow -18dBm$ ($V_O = 0dBm \rightarrow -12dBm$)



TYPICAL CHARACTERISTICS CURVES

Fig. 1 – INPUT VOLTAGE vs. OUTPUT LEVEL

f = 1kHz
 Mute OFF
 INH OFF
 $R_g = 600\Omega$
 $R_L = 10k\Omega$
 TYP. CONNECTION

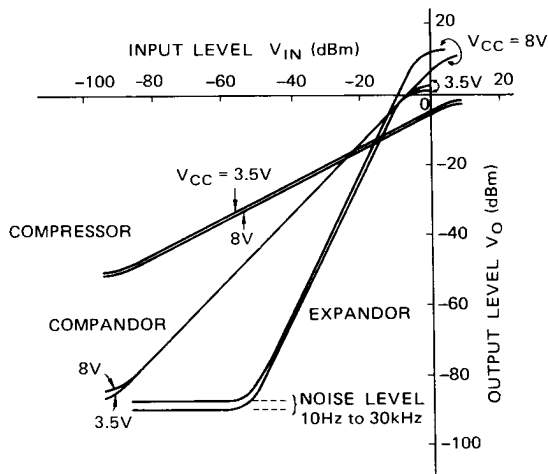


Fig. 2 – INPUT VOLTAGE vs. OUTPUT LEVEL (INHIBIT COND.)

f = 1kHz
 Mute OFF
 INH ON
 $R_g = 600\Omega$
 $R_L = 10k\Omega$
 TYP. CONNECTION

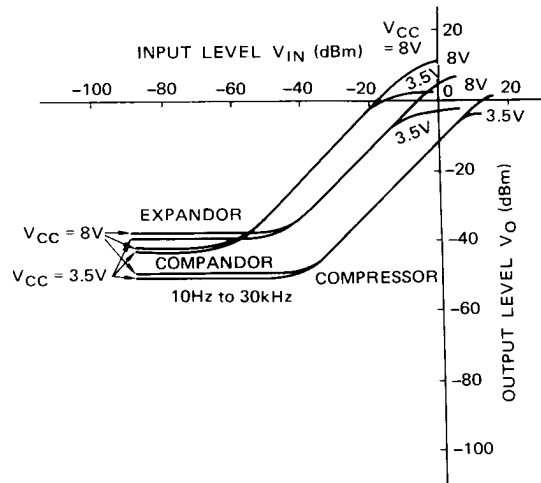


Fig. 3 – INPUT REFERENCE LEVEL vs. VOLTAGE SUPPLY

f = 1kHz
 Mute OFF
 INH OFF
 $R_g = 600\Omega$
 --- $R_L = 600\Omega$
 — $R_L = 10k\Omega$

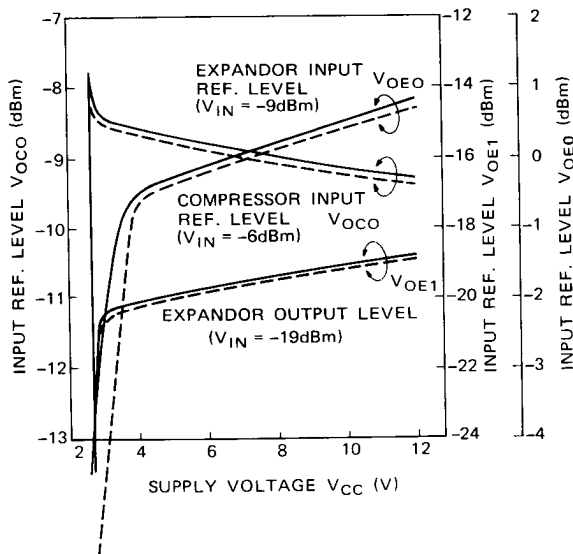
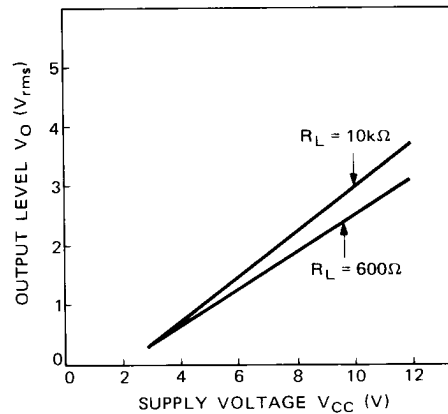


Fig. 4 – MAX. OUTPUT LEVEL vs. SUPPLY VOLTAGE (COMPANDOR)

LPF: 100kHz
 THD = 1% INH OFF
 Mute OFF $R_g = 600\Omega$



TYPICAL CHARACTERISTICS CURVES (continued)

Fig. 5 – FREQUENCY vs. VOLTAGE GAIN (COMPANDOR)

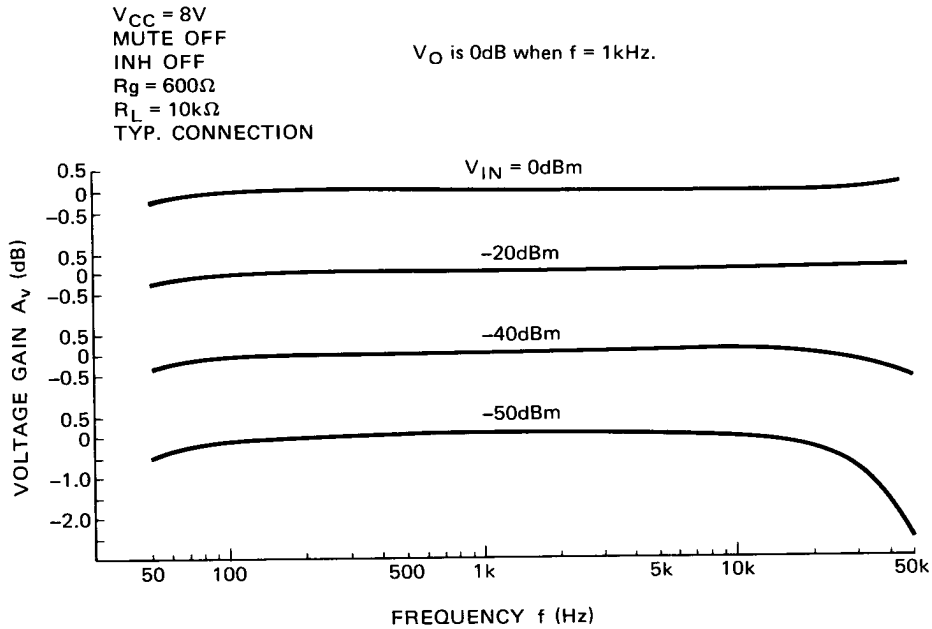


Fig. 6 – INPUT REFERENCE LEVEL vs. TEMPERATURE

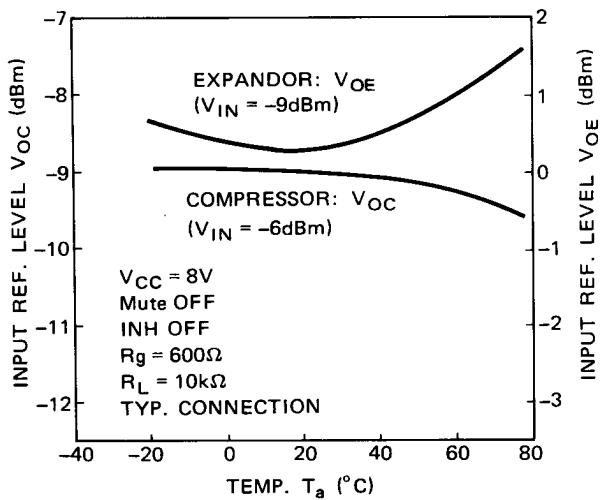
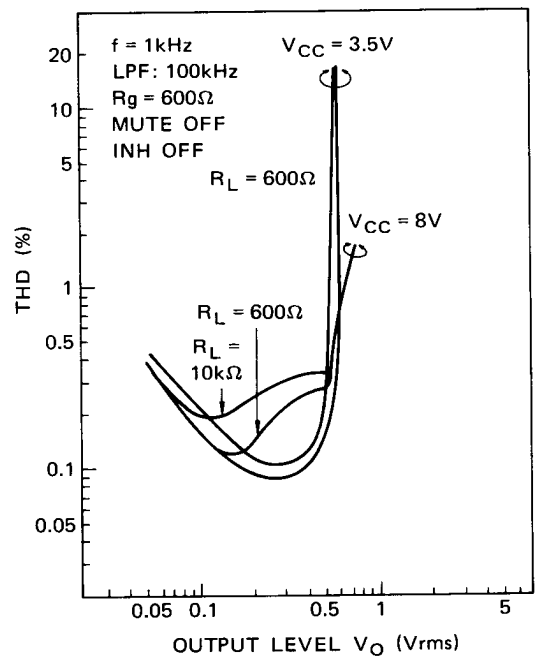


Fig. 7 – OUTPUT LEVEL vs. TOTAL HARMONIC DISTORTION (COMPRESSOR)



TYPICAL CHARACTERISTICS CURVES (continued)

Fig. 8 – OUTPUT LEVEL vs. TOTAL HARMONIC DISTORTION (EXPANDOR)

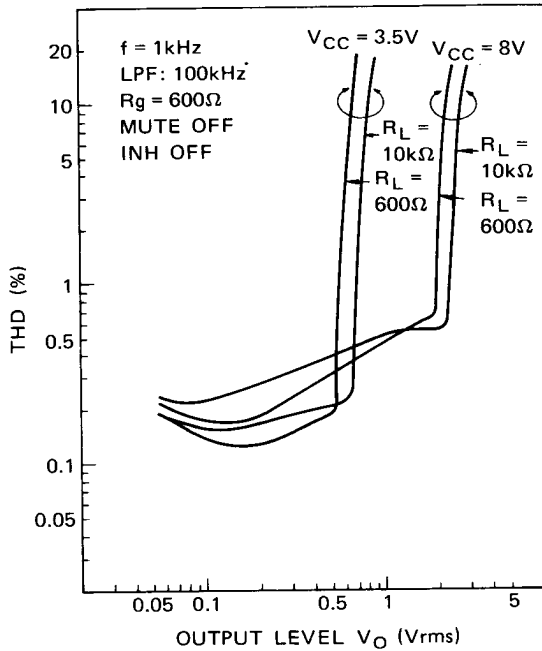


Fig. 9 – OUTPUT LEVEL vs. TOTAL HARMONIC DISTORTION (COMPANDOR)

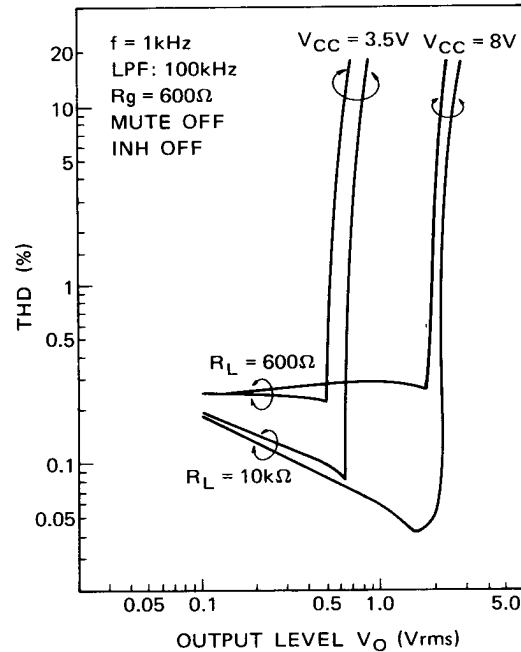


Fig. 10 – OUTPUT LEVEL vs. TOTAL HARMONIC DISTORTION (EXPANDOR INHIBIT COND.)

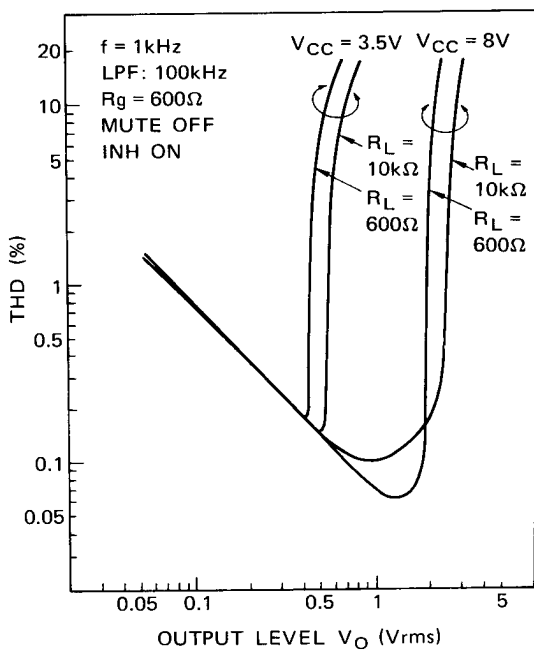
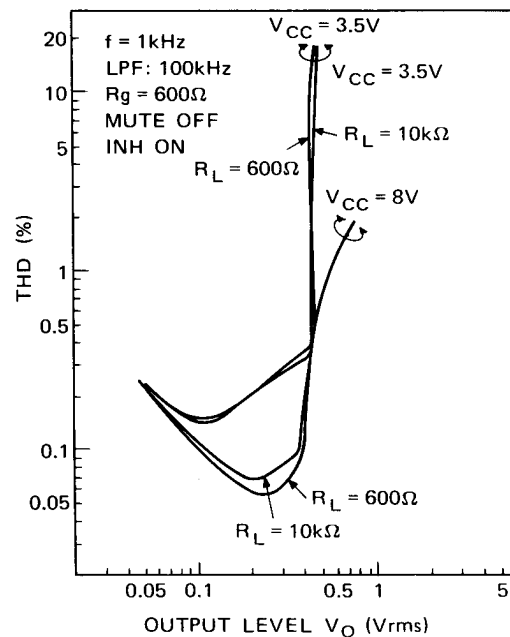


Fig. 11 – OUTPUT LEVEL vs. TOTAL HARMONIC DISTORTION (COMPRESSOR INHIBIT COND.)



TYPICAL CHARACTERISTICS CURVES (continued)

Fig. 12 – FREQUENCY vs. TOTAL HARMONIC DISTORTION (COMPANDOR)

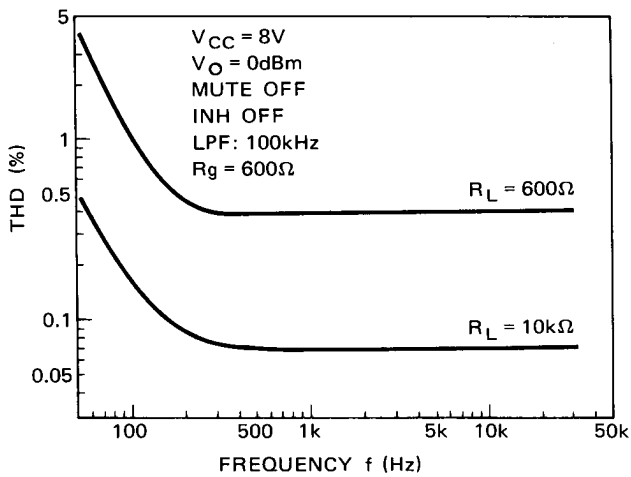


Fig. 13 – EXAPNDOR MUTE ATTENUATION

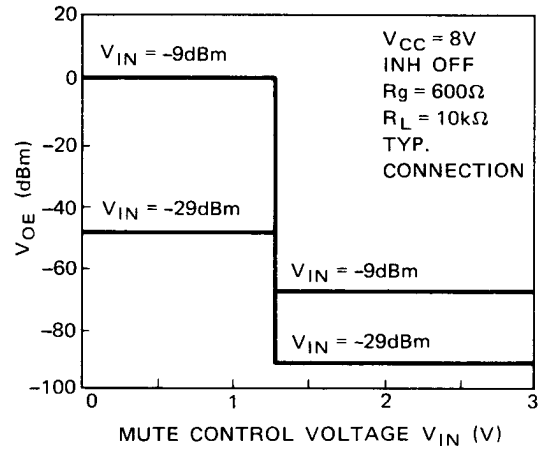
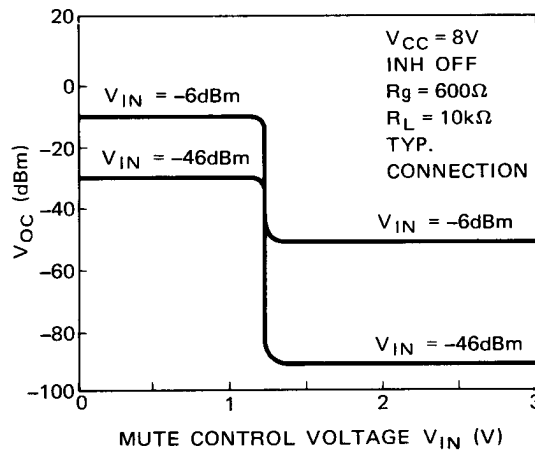
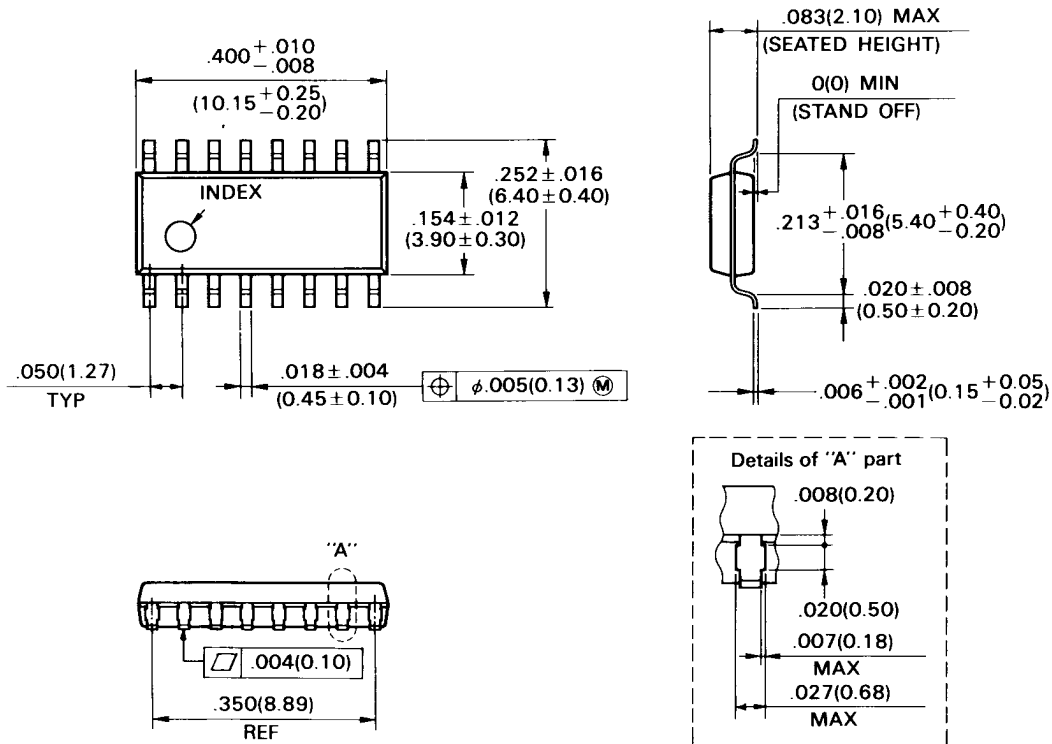


Fig. 14 – COMPRESSOR MUTE ATTENUATION



PACKAGE DIMENSIONS

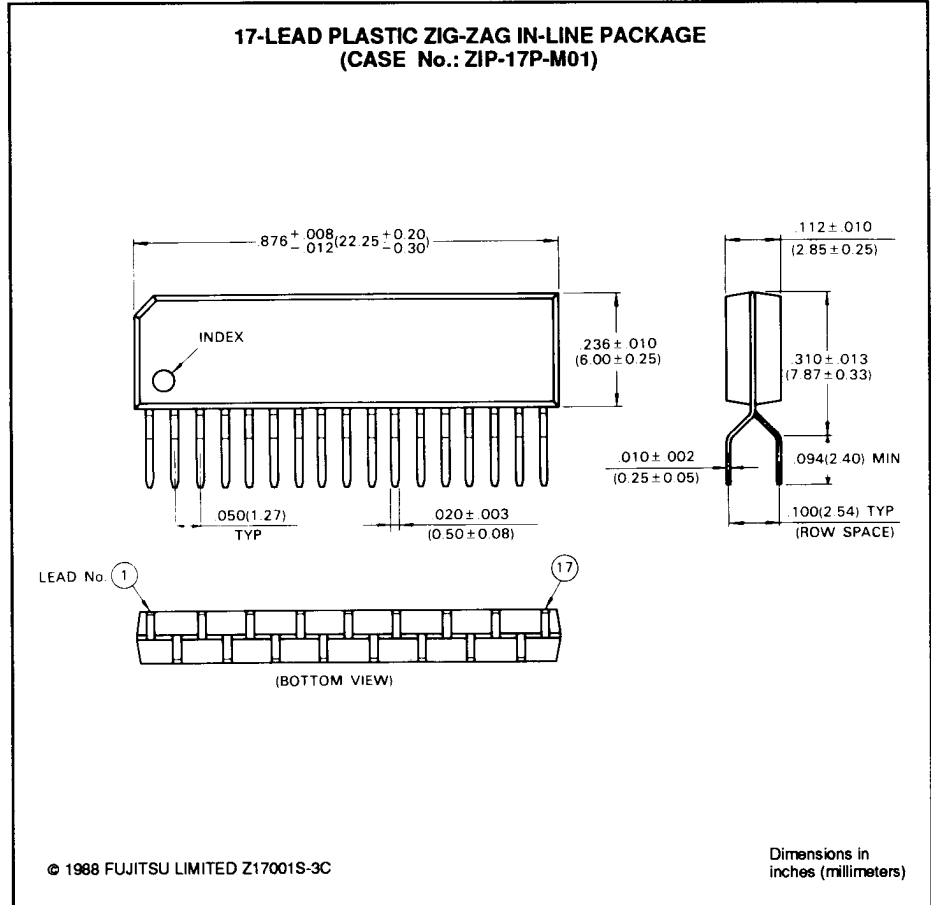
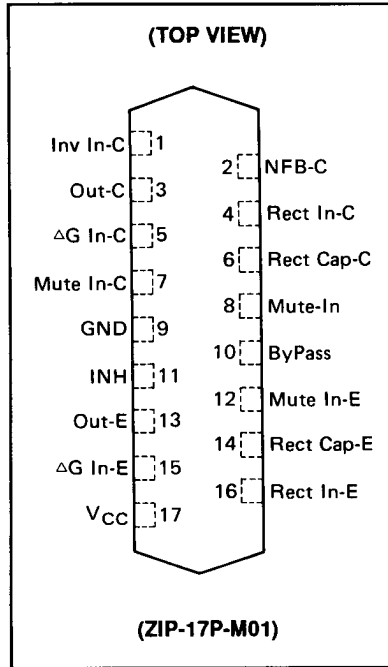
**16-LEAD PLASTIC FLAT PACKAGE
(CASE No.: FPT-16P-M04)**



© 1988 FUJITSU LIMITED D16012S-3C

Dimensions in
inches (millimeters)

PACKAGE DIMENSIONS (Continued)



All Rights Reserved. Circuit diagrams utilizing Fujitsu products are included as a means of illustrating typical semiconductor applications. Complete information sufficient for construction purposes is not necessarily given. The information contained in this document has been carefully checked and is believed to be reliable. However, Fujitsu assumes no responsibility for inaccuracies.

The Information contained in this document does not convey any license under the copyrights, patent rights or trademarks claimed and owned by Fujitsu. Fujitsu reserves the right to change products or specifications without notice. No part of this publication may be copied or reproduced in any form or by any means, or transferred to any third party without prior written consent of Fujitsu.

FUJITSU LIMITED

For further information please contact:

Japan

FUJITSU LIMITED
Integrated Circuits and Semiconductor Marketing
Furukawa Sogo Bldg., 6-1, Marunouchi 2-chome
Chiyoda-ku, Tokyo 100, Japan
Tel: (03) 216-3211
Telex: 781-2224361
FAX: (03) 216-9771

North and South America

FUJITSU MICROELECTRONICS, INC.
Integrated Circuits Division
3545 North First Street
San Jose, CA 95134-1804 USA
Tel: 408-922-9000
Telex: 910-338-0190
FAX: 408-432-9044

Europe

FUJITSU MIKROELEKTRONIK GmbH
Arabella Centre 9. OG
Lyoner Strasse 44-48
D-6000 Frankfurt 71
F.R. Germany
Tel: (069) 66320
Telex: 411963
FAX: (069) 6632122

Asia

FUJITSU MICROELECTRONICS ASIA PTE LIMITED
#06-04 to #06-07
Plaza By The Park
No. 51 Bras Basah Road
Singapore 0719
Tel: 336-1600
Telex: 55573
FAX: 336-1609

OCT 17 1988