

MB3115

Dual Equalizer Amplifier with Automatic Melody-Pause-Search Function

The Fujitsu MB3115 is a dual equalizer amplifier with an automatic melody-pause-search function. It provides forward-to-reverse head changeovers and equalizer characteristics changeovers to match any recorded magnetic medium. The MB3115 has a pause detection function and an open collector output for an automatic melody-pause-search tape select function. It is suitable for use in tape players with an equalizer amplifier feature.

The MB3115 is packaged in 20 pin plastic flat package; for high density mounting.

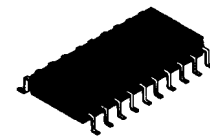
- Equalizer section
 - Equalizer voltage gain (OPEN) :100 dB typ.
 - Low distortion :0.05% typ.
 - Low noise :0.8 μ Vrms typ.
 - Maximum output voltage :2.0 Vrms typ.
- Automatic melody-pause-search tape select section
 - Input sensitivity :0.2 mVrms typ.
 - On-chip stereo mix amplifier
 - On-chip power-on reset function
 - On-chip misoperation protection filter amplifier by pause noise
- Package and ordering information:
 - 20-pin plastic SOP, order as MB3115PF

ABSOLUTE MAXIMUM RATINGS

Ratings	Symbol	Value	Unit
Power Supply Voltage	V_{CC}	18	V
Power Dissipation	P_D	625 ($T_A \leq 75^\circ\text{C}$)	mW
Operating Temperature	T_A	-20 to 75	$^\circ\text{C}$
Storage Temperature	T_{STG}	-55 to +125	$^\circ\text{C}$

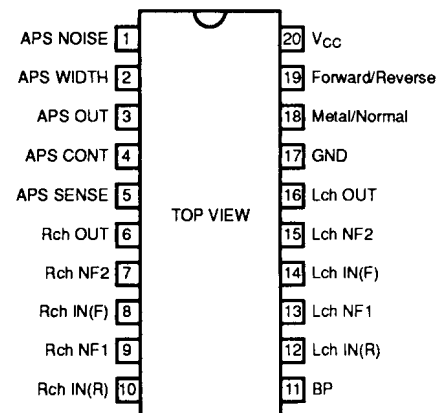
— Note —

Permanent device damage may occur if absolute maximum ratings are exceeded. Functional operation should be restricted to the conditions as detailed in the operational sections of this data sheet. Exposure to absolute maximum rating conditions for extended periods may affect device reliability.



Plastic SOP
(FPT-20P-M01)

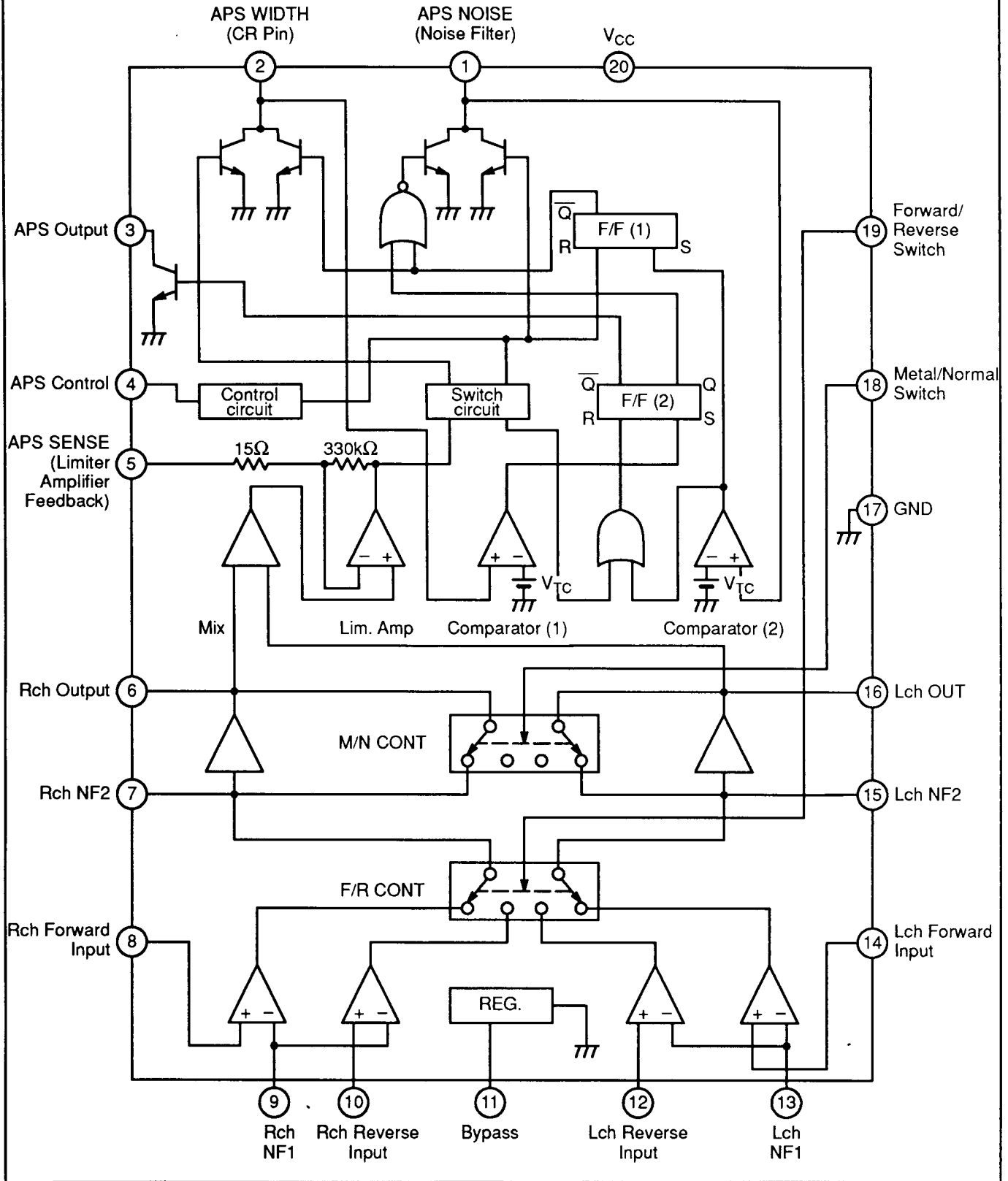
Pin Assignment



This device contains circuitry to protect the inputs against damage due to high static voltages or electric fields. However, it is advised that normal precautions be taken to avoid application of any voltage higher than maximum rated voltages to this high impedance circuit.

MB3115

Figure 1. MB3115 Block Diagram



RECOMMENDED OPERATING CONDITIONS

Parameter	Symbol	Value	Unit
Power Supply Voltage	V_{CC}	6 to 16	V

ELECTRICAL CHARACTERISTICS

($V_{CC}=8.5$ V, $R_g=620$ Ω , $f=1$ kHz, $R_L=10$ k Ω , $T_A=25$ °C)

Parameter	Symbol	Condition	Value			Unit
			Min	Typ	Max	

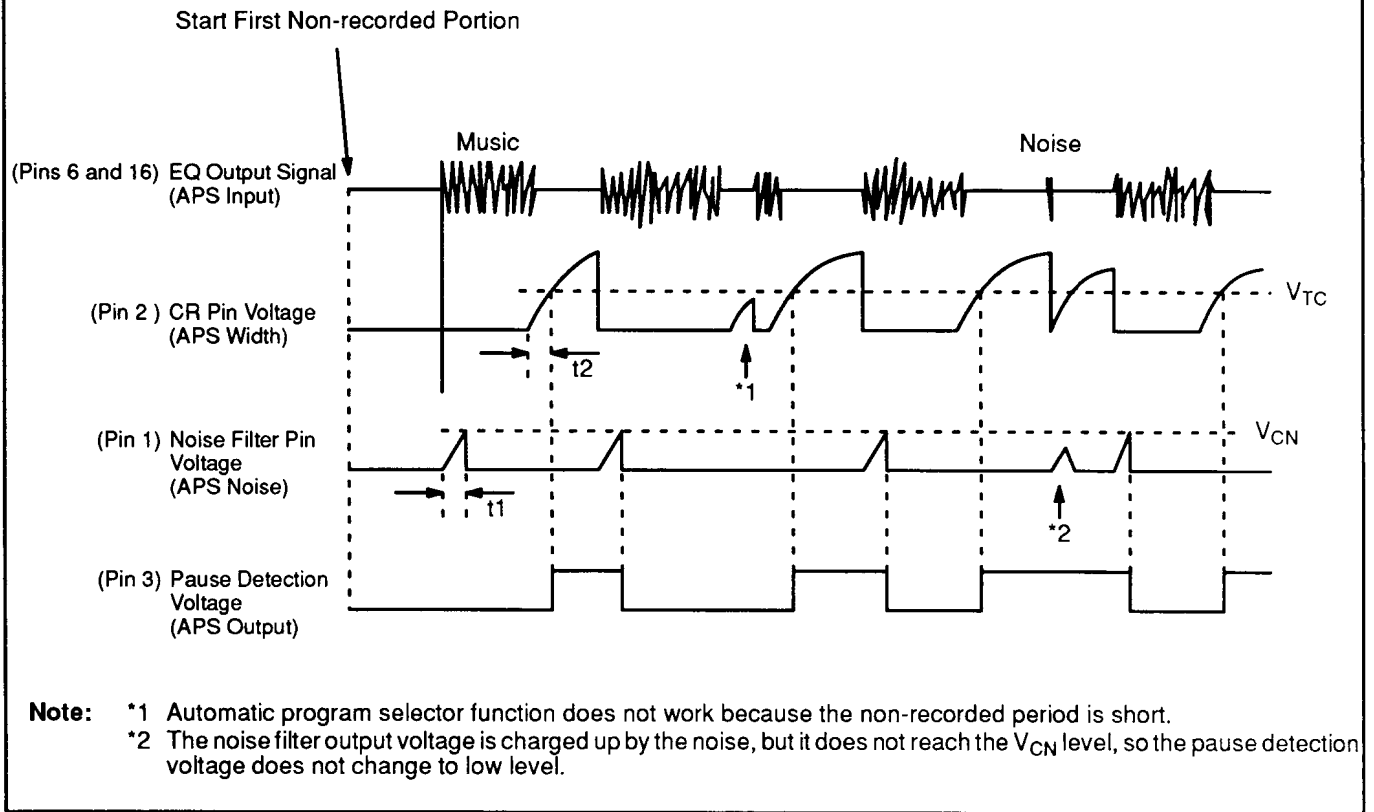
Equalizer Section

Power Supply Current	I_{CCN}	No signal, normal mode	7.7	10.6	14.8	mA
Power Supply Current	I_{CCM}	No signal, metal mode	7.8	11.0	15.2	mA
Open-loop Voltage Gain	A_{VO}		85	100		dB
Total Harmonic Distortion	THD	$V_O=0.3$ Vrms, $A_V=40$ dB		0.05	0.2	%
Maximum Output Voltage	V_{OH}	THD=1.0%	1.4	2.0		Vrms
Equivalent Noise Input Voltage	V_{NO}	NAB, BW=20 to 20kHz		0.8	1.5	μ Vrms
Channel Balance	CB			0		dB
Channel Separation	CS			60		dB
Forward/Reverse Cross Talk	CT			60		dB

Automatic Melody-Pause-Search Section

Limiter Amplifier Voltage Gain	A_{VL}	$R_F=36$ Ω		76		dB
Minimum Signal Input Voltage	V_{SM}	$R_F=36$ Ω		0.2		mVrms
CR Pin Input Current	I_{TC}	V_2 (APS WIDTH terminal) =1V, No signal input after F/F (1) is set		0.01		μ A
Time Setting Voltage	V_{TC}	APS WIDTH terminal		4.2		V
Control Input Current	I_{CI}	APS CONT terminal=GND		-7		μ A
Control Input Voltage	V_{CI}	APS CONT terminal=GND		1.3		V
Noise Filter Current	I_{CN}			60		μ A
Noise Filter Detection Voltage	V_{CN}			1.4		V
Output Saturation Voltage	V_{OL}	$I_O=5$ mA			0.4	V
Output Brake Down Voltage	BV_O	$I_F=1$ μ A	18			V
Control Input Voltage	V_{IH}	M/N terminal	2.0			V
	V_{IL}	M/N terminal			0.2	V
	V_{IH}	F/R terminal	2.0			V
	V_{IL}	F/R terminal			0.5	V
Control Input Current	I_{IH}	M/N terminal $V_I=GND$		-3.5		μ A
	I_{IL}	F/R terminal $V_I=GND$		-0.7		μ A

Figure 2. Automatic Program Selector (Aps) Timing Chart



The pause detection time and the noise filter operation time are defined by CR time constant as shown in the following examples: a and b.

a) Pause detection time (t_2)

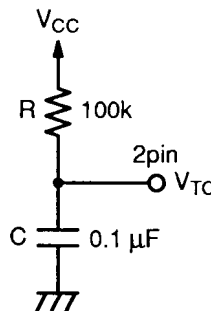
Threshold voltage of internal comparator is set $1/2 \times V_{CC}$, charge time is defined:

$$V = V_{CC} \left\{ 1 - \frac{1}{\left(e^{\frac{t_2}{CR}} \right)} \right\}$$

$$V = \frac{1}{2} V_{CC}$$

$$t_2 = CR \ln 2 \text{ (second)}$$

$$\approx 0.69 \times CR$$



b) Noise filter operation time (t_1)

Charge current $I_C \approx 30 \mu A$

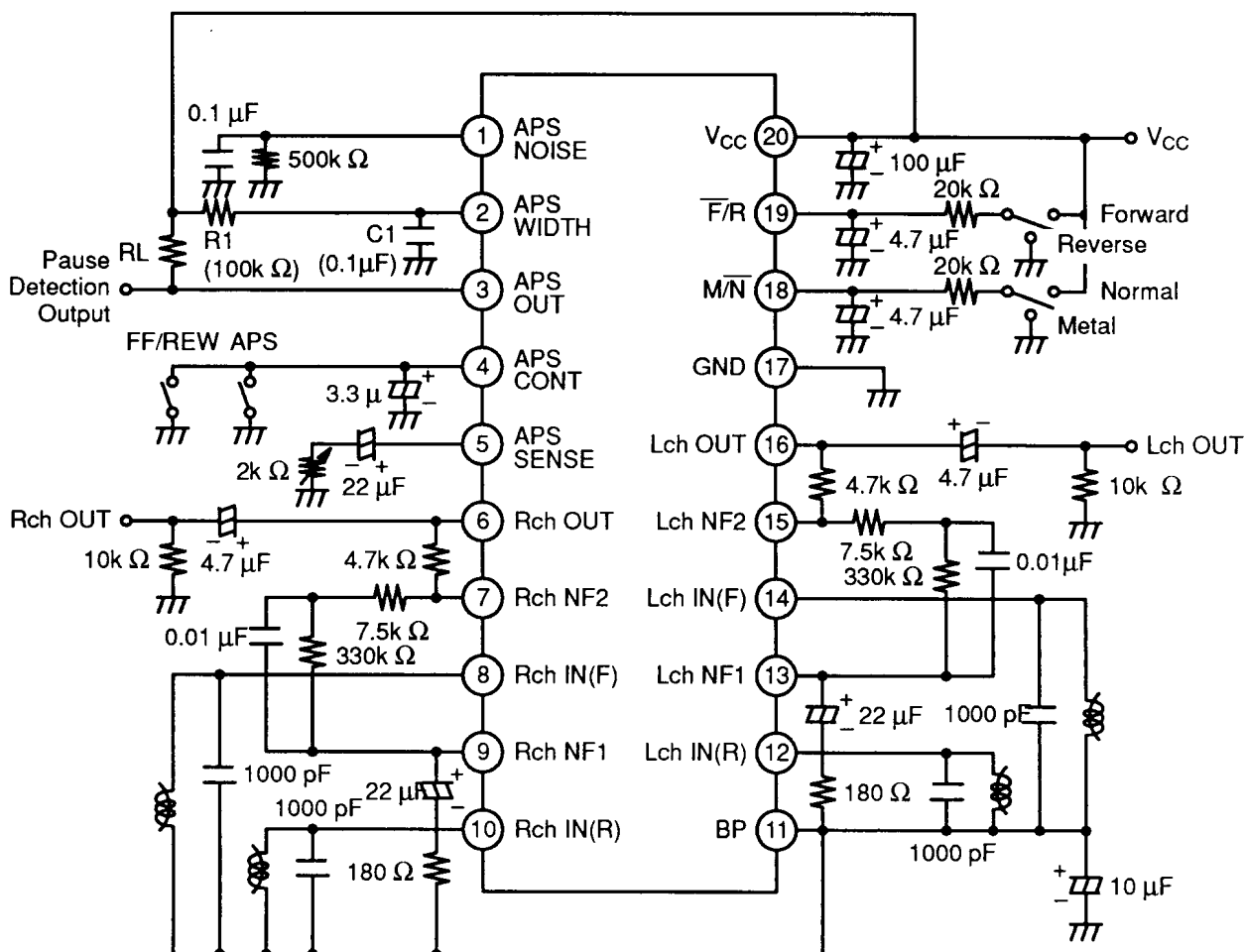
Noise filter detection voltage (V_{CN}) $\approx 1.4 V$

When external capacitance is C, noise filter response time is defined:

$$C \times V_{CN} = I_C \times t_1$$

$$t_1 \approx 0.047 \times C \text{ (second)}$$

Figure 3. Typical Connection Circuit



MB3115

Figure 4. Voltage Gain vs. Frequency

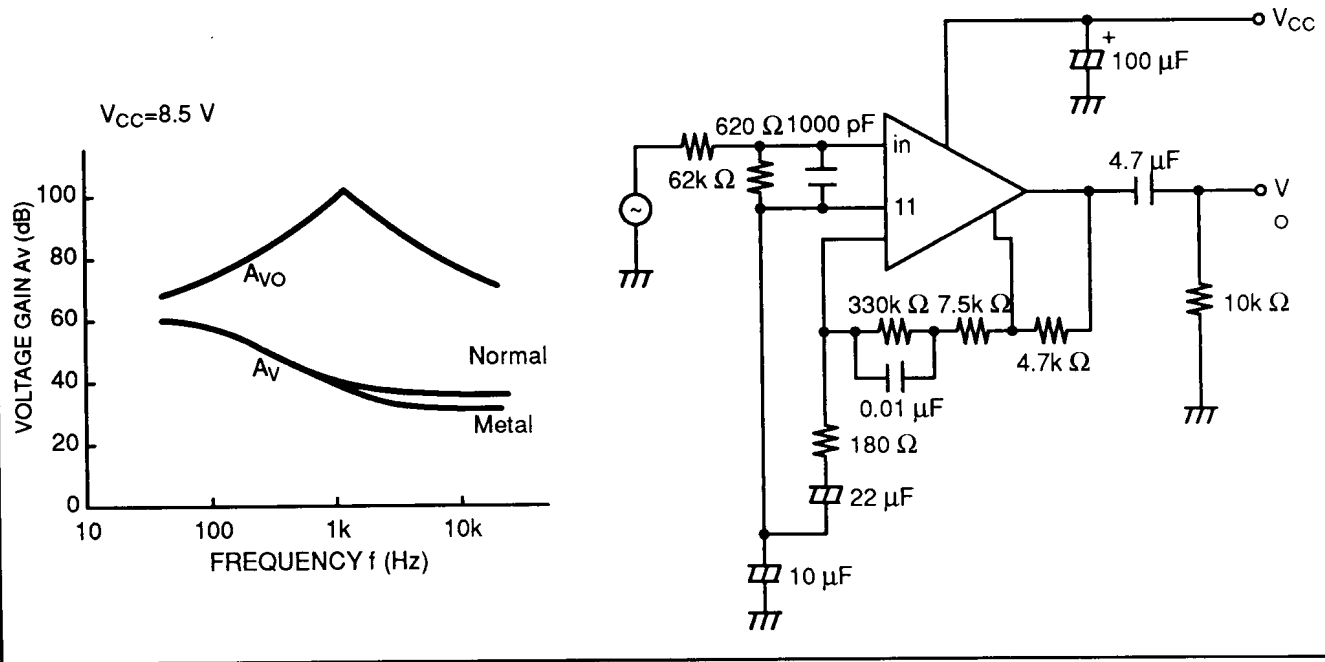


Figure 5. MB3115 Total Harmonic Distortion vs. Output Voltage L-channel (Normal)

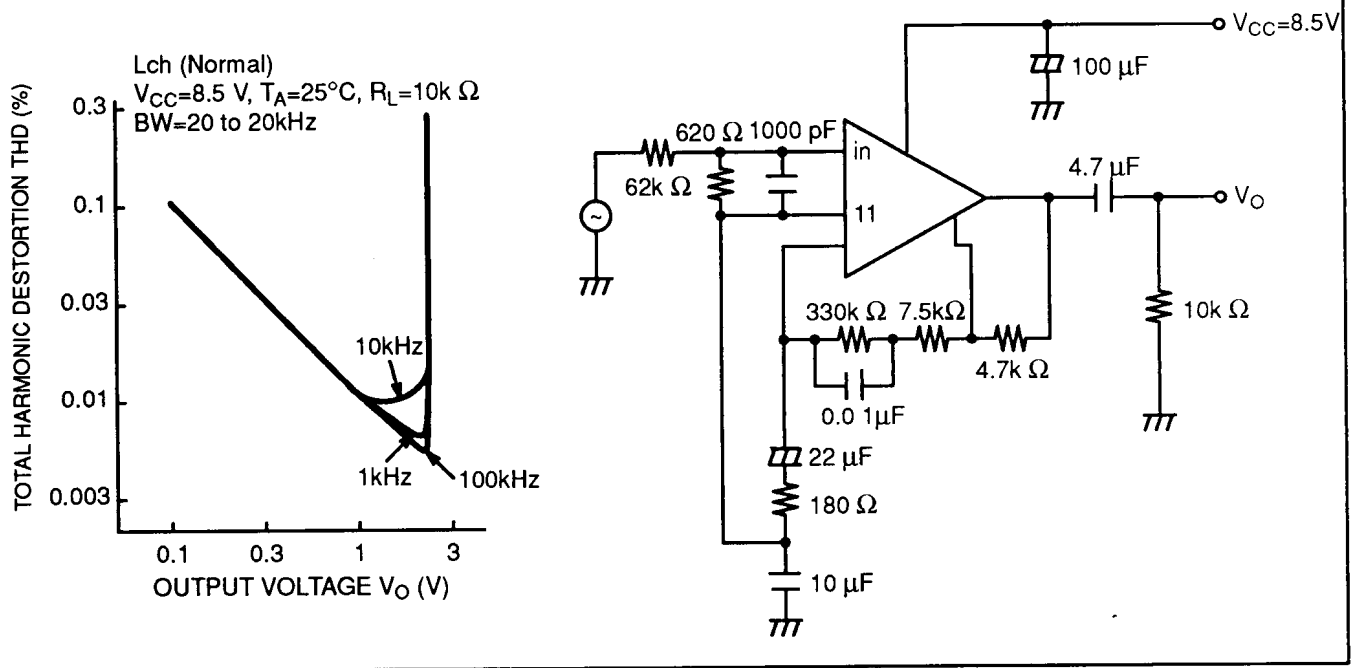


Figure 6. MB3115 Total Harmonic Distortion vs. Output Voltage L-channel (Metal)

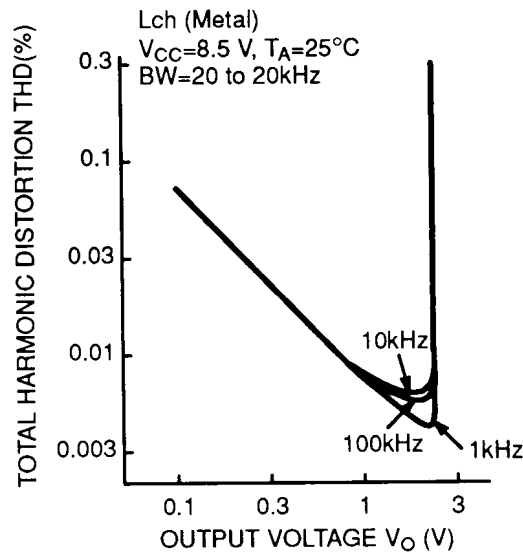


Figure 7. Output Noise Voltage vs. Resistance

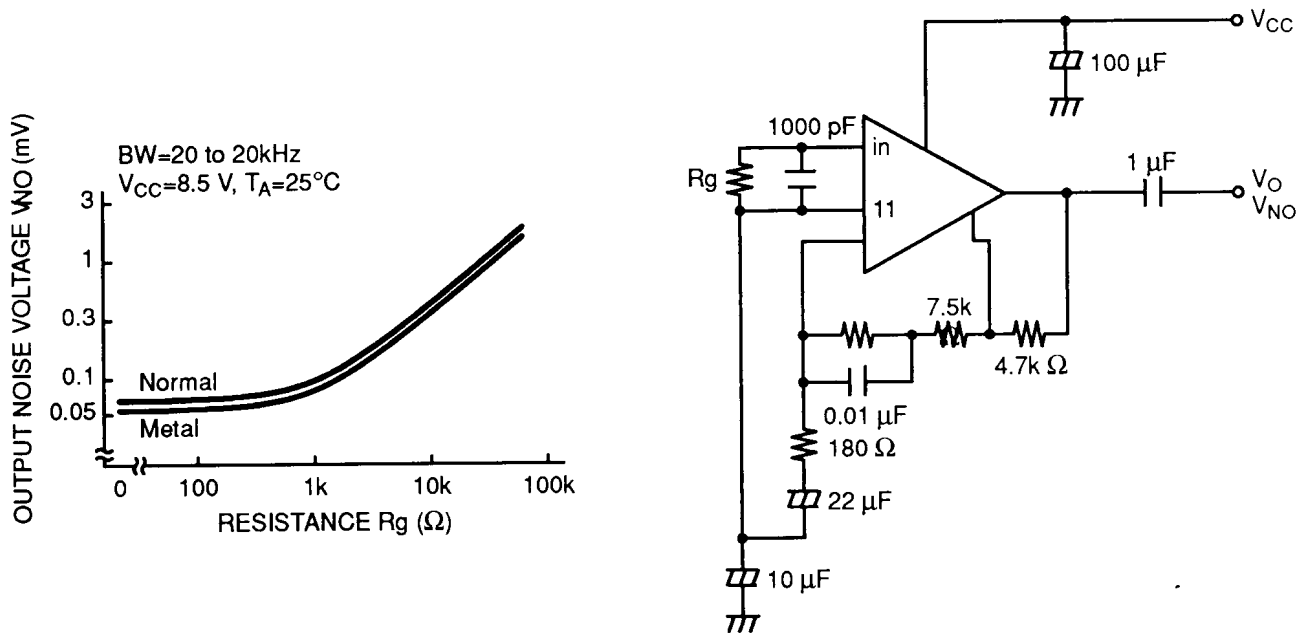


Figure 8. MB3115 Crosstalk (Metal)

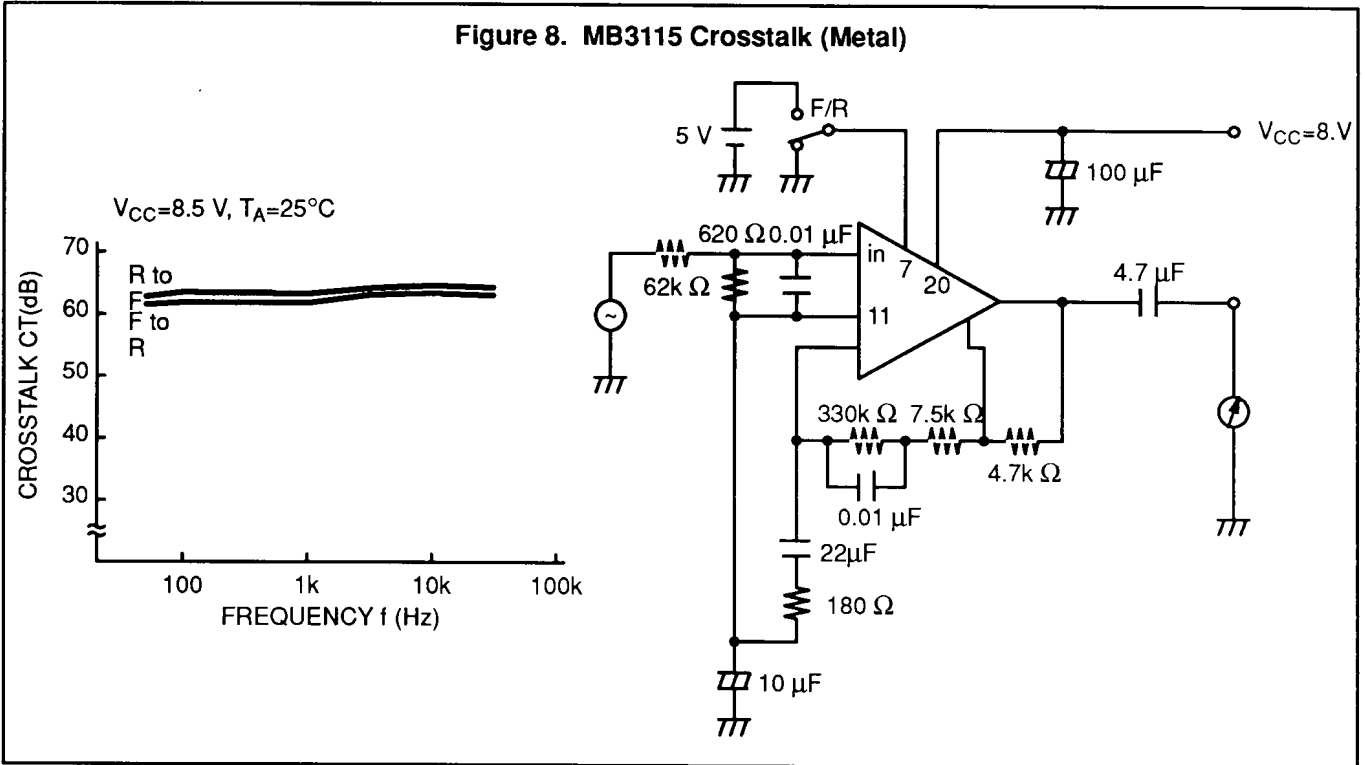
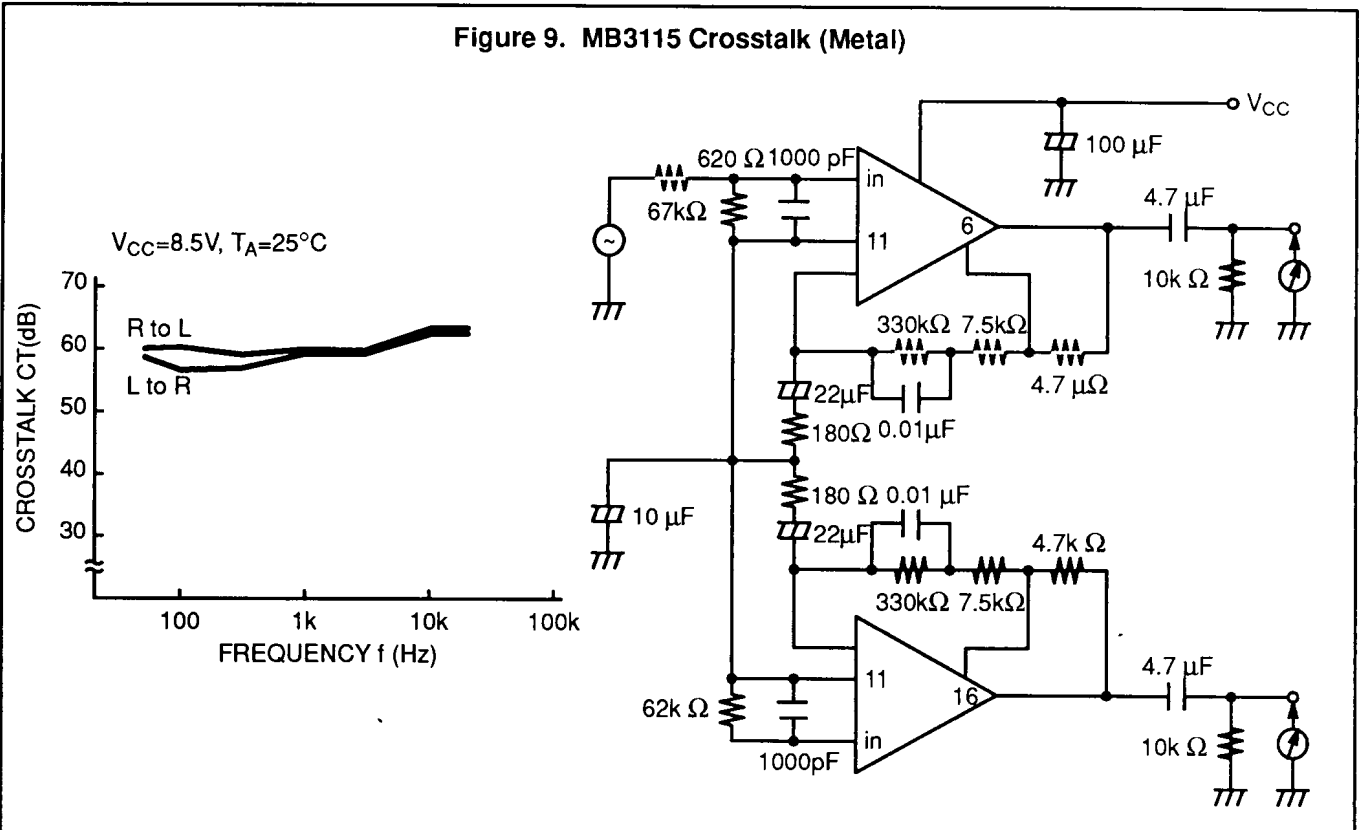
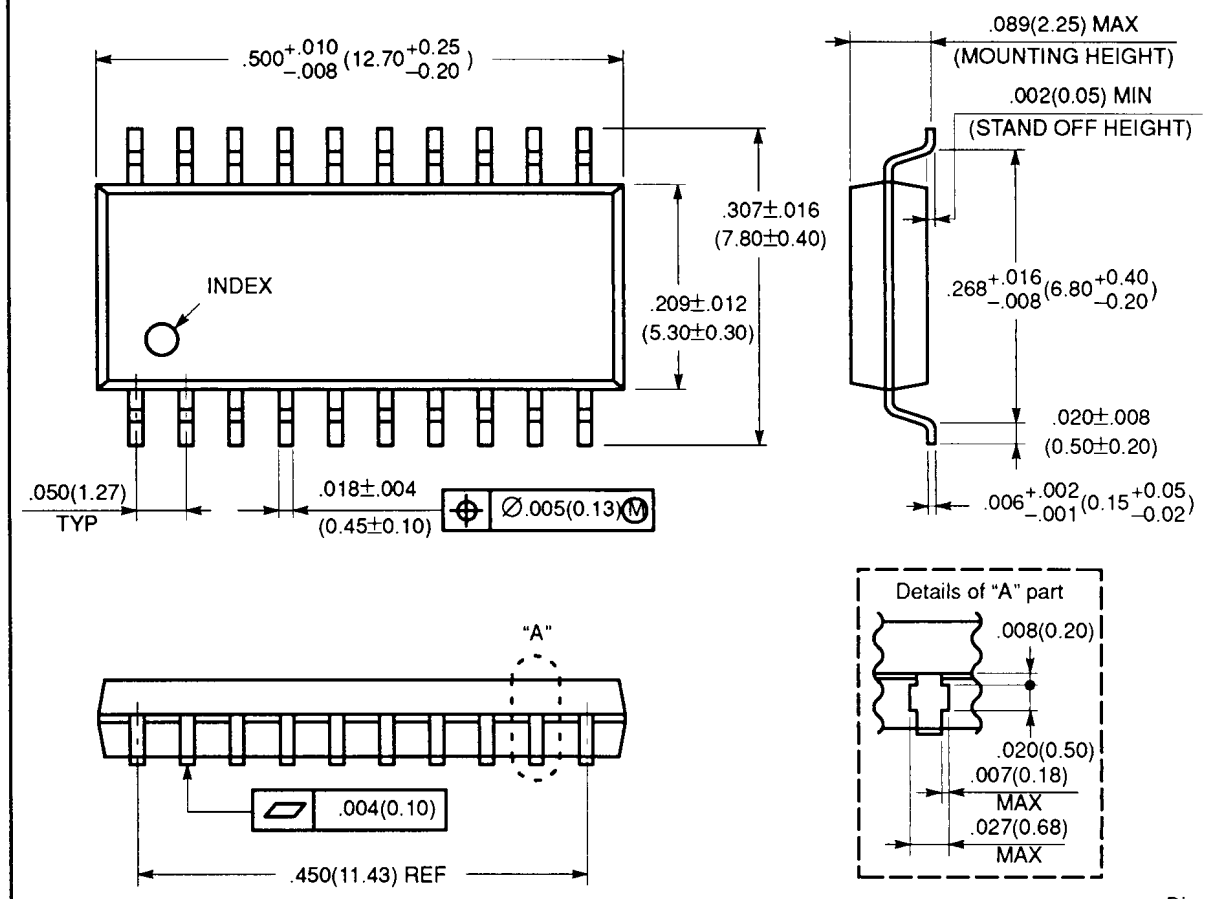


Figure 9. MB3115 Crosstalk (Metal)



PACKAGE DIMENSIONS

20-LEAD PLASTIC FLAT PACKAGE (CASE No.: FPT-20P-M01)



Dimensions in inches (millimeters)

©1991 FUJITSU LIMITED F20003S-5C

All Rights Reserved.

Circuit diagrams utilizing Fujitsu products are included as a means of illustrating typical semiconductor applications. Complete Information sufficient for construction purposes is not necessarily given.

The information contained in this document has been carefully checked and is believed to be reliable. However, Fujitsu assumes no responsibility for inaccuracies.

The Information contained in this document does not convey any license under the copyrights, patent rights or trademarks claimed and owned by Fujitsu.

Fujitsu reserves the right to change products or specifications without notice.

No part of this publication may be copied or reproduced in any form or by any means, or transferred to any third party without prior written consent of Fujitsu.