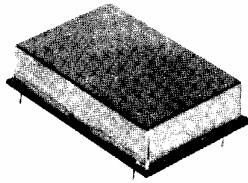




Z-COMMUNICATIONS INC

45E D ■ 9966466 0000362 T ■ ZCI



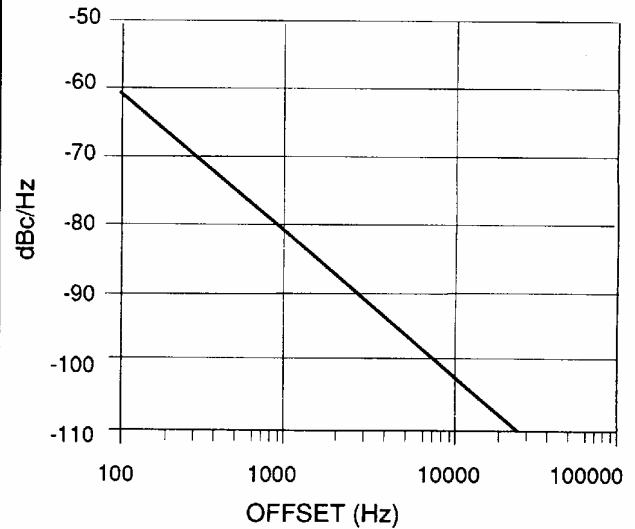
FEATURES

- Exceptional Phase Noise Characteristics
- Excellent Temperature Stability
- Tuning Voltage 0 to 15 Volts

APPLICATIONS

- VHF Communications • Test Equipment
- 900 MHz Radios • LO'S, PLL'S, Digital Cellular

PHASE NOISE (1Hz BW) (TYP)



PERFORMANCE SPECIFICATIONS

| | VALUE | UNITS |
|--|-----------|-------|
| Center Frequency | 1555 | MHz |
| Phase Noise (@ 10KHz offset, 1 Hz Bandwidth) | -103 | dBc |
| Harmonic Suppression (2nd, typ) | -10 | dBc |
| Tuning Voltage | 0 - 15 | Vdc |
| Tuning Sensitivity (avg.) | 10 | MHz/V |
| Power Output (into 50 Ω @ 25°C) | +10.5 ± 2 | dBm |
| Load Impedance | 50 | Ω |
| Input Capacitance (max) | 100 | pF |
| Pushing | < 1 | MHz/V |
| Pulling (12 dB Return Loss, Any Phase) | < 1 | MHz |
| Operating Temperature Range | 0 to 70 | °C |

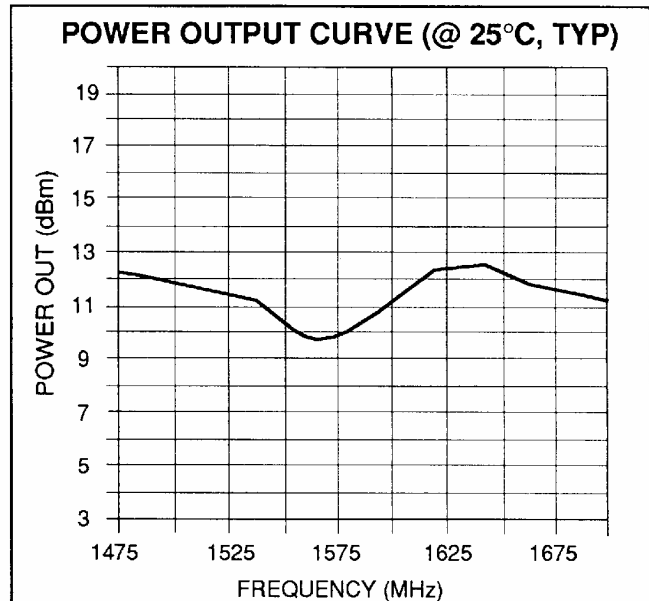
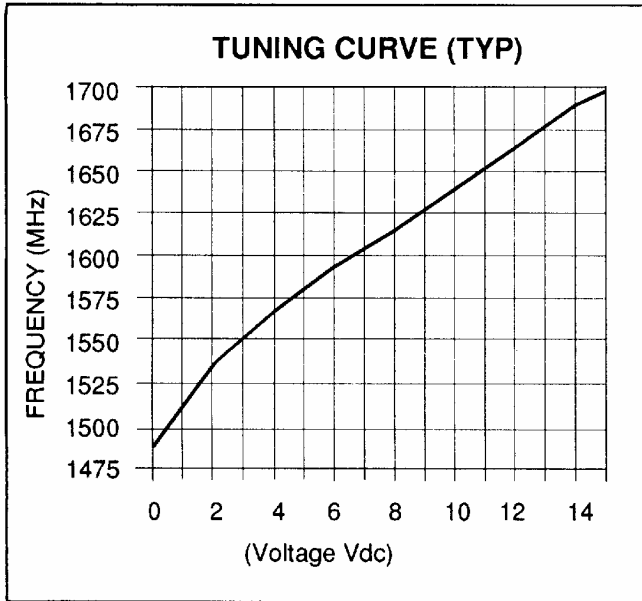
POWER SUPPLY REQUIREMENTS

| | | |
|---------------------------|----|-----|
| Supply Voltage (Vcc) | 12 | Vdc |
| Supply Current (Icc)(max) | 80 | mA |

All specifications are typical unless otherwise noted and subject to change without notice.

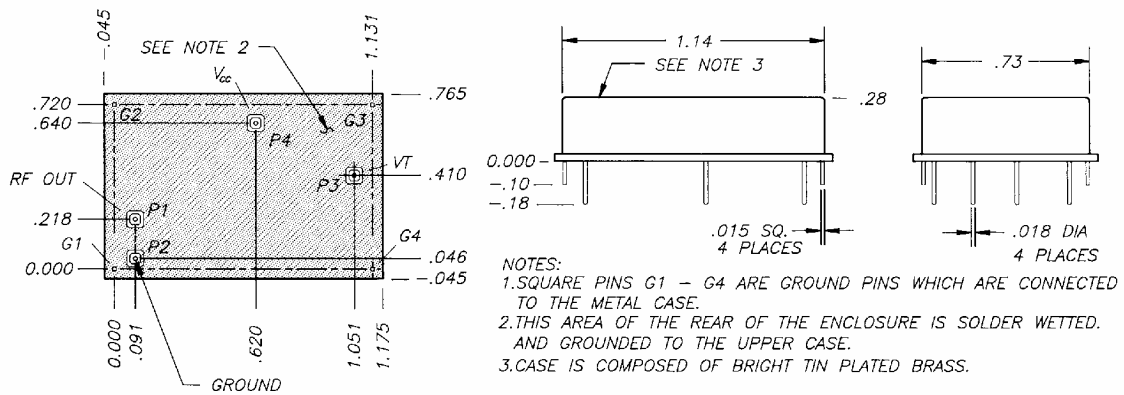
APPLICATION NOTES

1. For proper mounting and grounding of VCO, refer to application note AN-101.
2. For proper output loading of VCO, refer to application note AN-102.



PHYSICAL DIMENSIONS

OUTLINE DRAWING OF THE (EP) PACKAGE VCO



Notes: