

Monolithic Schottky Bridge Quad Diodes

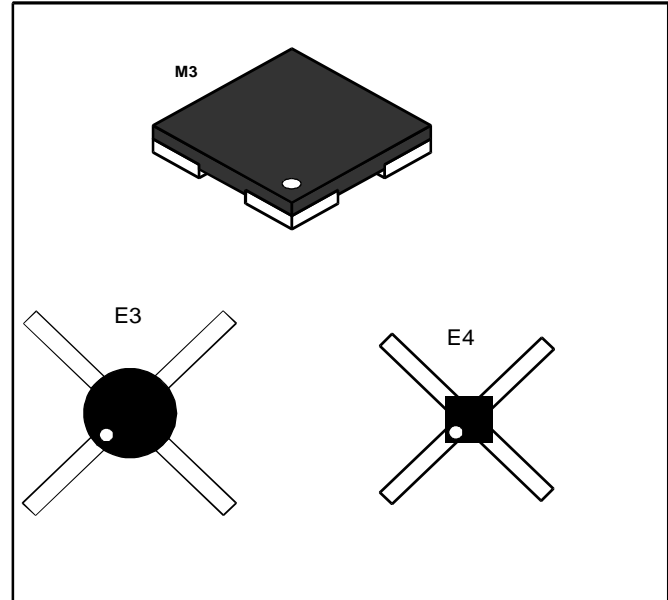
FEATURES

- Low Leakage
- High Breakdown Voltage
- Leadless Quad Package
- Low Inductance
- For Samplers, Mixers,

ENVIRONMENTAL RATINGS

(Maximum)

Operating Temperature. ----- -65°C to +200°C
 Storage Temperature ----- -65°C to +200°C
 Power Dissipation @ 25°C ----- 100mW Derate
 Linearly to zero at 150°C
 Soldering Temperature ----- 230°C for 5 seconds



Electrical Specifications @ 25°C

PART NUMBER	CASE STYLE	V_F Typ (mV) @ 1 mA	Max C_{TL} @ 0 V (pF)	Typ R_D @ 5 mA (Ohms)	Min V_B @ 10 μ A (Volts)	Max I_R @ 1V (nA)
MP2601	M3	290	0.15	20	3	100
MP2602	E4	290	0.23	20	3	100
MP2603	E3	290	0.25	20	3	100
MP2604	M3	420	0.15	19	3	80
MP2605	E4	420	0.23	19	3	80
MP2606	E3	420	0.25	19	3	80
MP2607	M3	520	0.15	18	5	50
MP2608	E4	520	0.23	18	5	50
MP2609	E3	520	0.25	18	5	50
MP2610	M3	620	0.15	17	5	30
MP2611	E4	620	0.23	17	5	30
MP2612	E3	620	0.25	17	5	30

Notes:

1. Maximum ΔV_F is equal to 20 mV at 1 mA.
2. Other selections available.

CASE DIMENSIONS (INCHES)

