

# SHINDENGEN

## General Purpose Rectifiers

## Low Noise Bridges

# LN1WBA60

## 600V 1.1A

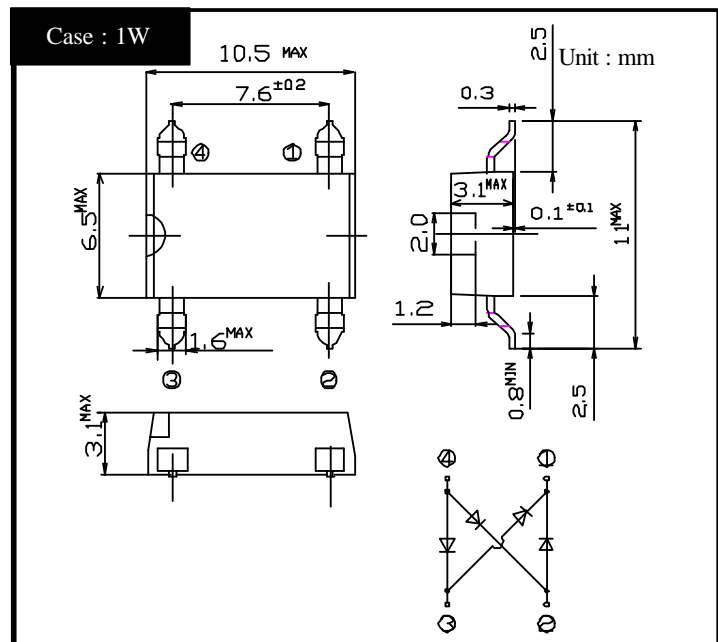
### FEATURES

- Low noise
- Dual In-Line (:DIL) Package
- Applicable to Automatic Insertion

### APPLICATION

- Adapter
- Switching power supply
- Home Appliances, Office Equipment,
- Telecommunication

### OUTLINE DIMENSIONS



### RATINGS

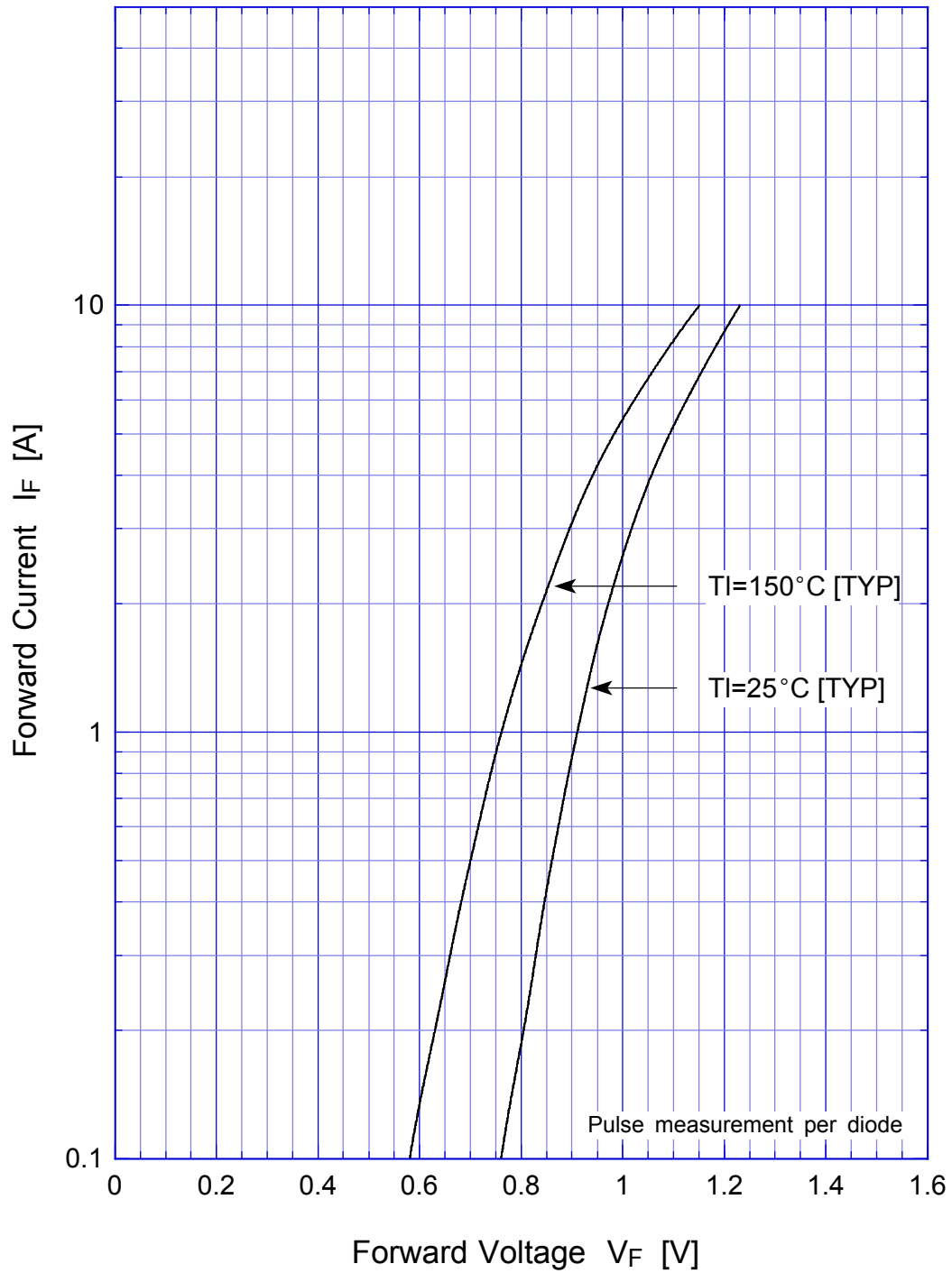
Absolute Maximum Ratings (If not specified  $T_I=25$  )

Item	Symbol	Conditions	Ratings	Unit
Storage Temperature	$T_{stg}$		-40 ~ 150	
Operating Junction Temperature	$T_j$		150	
Maximum Reverse Voltage	$V_{RM}$		600	V
Average Rectified Forward Current	$I_O$	50Hz sine wave, R-load, $T_a=25$	1.1	A
Peak Surge Forward Current	$I_{FSM}$	50Hz sine wave, Non-repetitive 1cycle peak value, $T_j=25$	50	A
Current Squared Time	$I^2t$	1ms $t < 10ms$ $T_j=25$	6	A <sup>2</sup> s

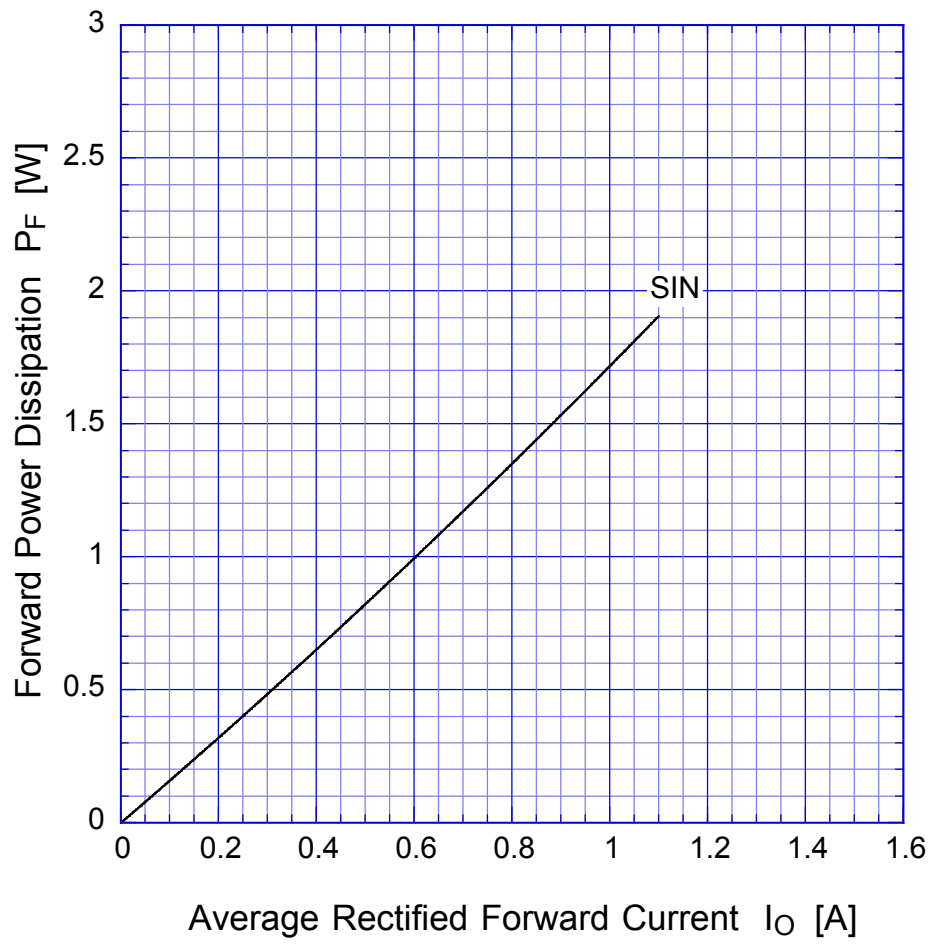
Electrical Characteristics (If not specified  $T_I=25$  )

Item	Symbol	Conditions	Ratings	Unit
Forward Voltage	$V_F$	$I_F=0.55A$ Pulse measurement, Rating of per diode	Max. 1	V
Reverse Current	$I_R$	$V_R=V_{RM}$ Pulse measurement, Rating of per diode	Max. 10	$\mu A$
Reverse Recovery Time	$t_{rr}$	$I_F=0.1A$ , $I_R=0.1A$ , Rating of per diode	Max.5	$\mu s$
Thermal Resistance	$\theta_{jl}$	junction to lead	Max.10	/W
	$\theta_{ja}$	junction to ambient	Max.65	

# LN1WBA60 Forward Voltage



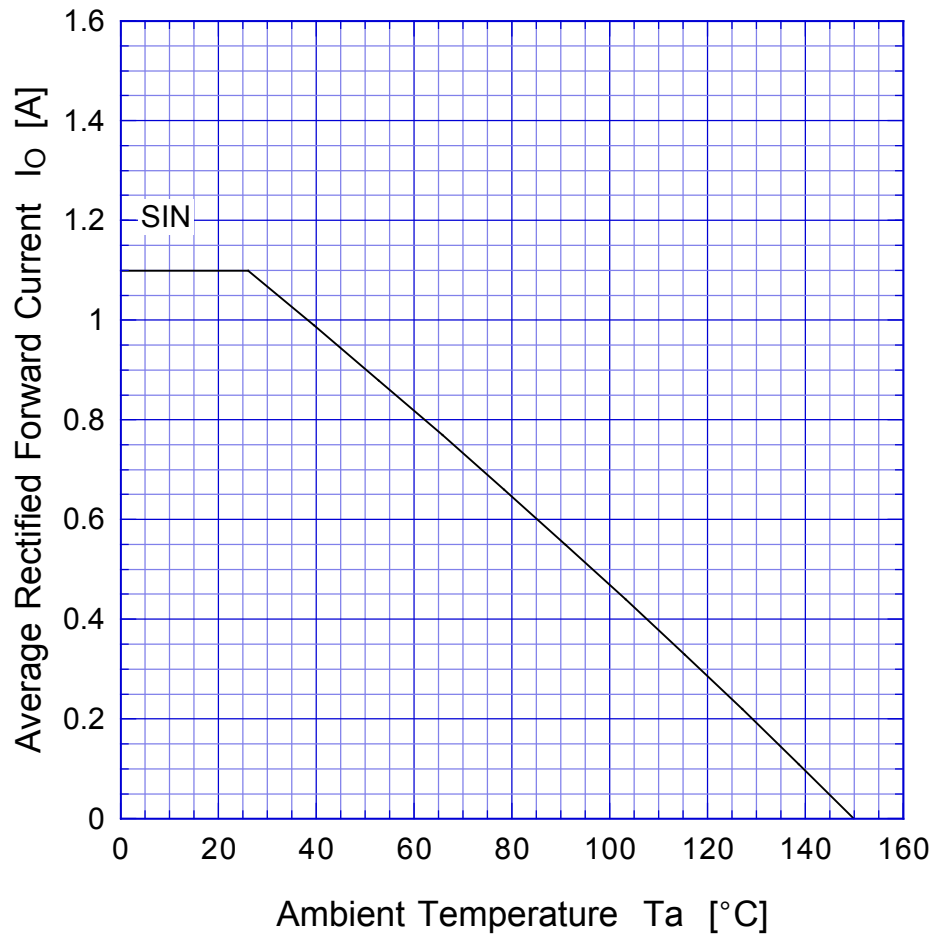
## LN1WBA60 Forward Power Dissipation



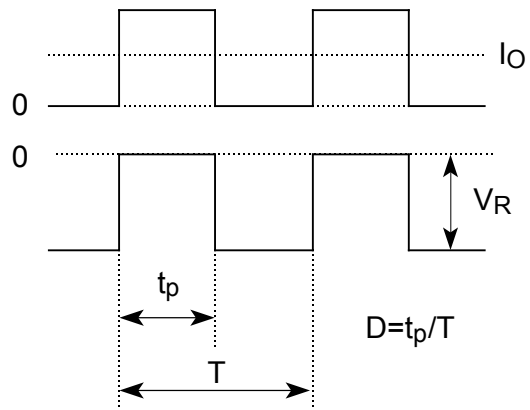
$T_j = 150^\circ\text{C}$   
Sine wave

# LN1WBA60

## Derating Curve



$V_R = 600V$



# LN1WBA60 Peak Surge Forward Capability

