

MEMORY

**CMOS 1M × 4 BIT
HYPER PAGE MODE DYNAMIC RAM****MB814405C-60/-70****CMOS 1,048,576 × 4 BIT Hyper Page Mode Dynamic RAM****DESCRIPTION**

The Fujitsu MB814405C is a fully decoded CMOS Dynamic RAM (DRAM) that contains 4,194,304 memory cells accessible in 4-bit increments. The MB814405C features the "hyper page" mode of operation which provides extended valid time for data output and higher speed random access of up to 1,024 × 4 bits of data within the same row than the fast page mode. The MB814405C DRAM is ideally suited for mainframe, buffers, hand-held computers video imaging equipment, and other memory applications where very low power dissipation and high bandwidth are basic requirements of the design. Since the standby current of the MB814405C is very small, the device can be used as a non-volatile memory in equipment that uses batteries for primary and/or auxiliary power.

The MB814405C is fabricated using silicon gate CMOS and Fujitsu's advanced four-layer polysilicon process. This process, coupled with advanced stacked capacitor memory cells, reduces the possibility of soft errors and extends the time interval between memory refreshes. Clock timing requirements for the MB814405C are not critical and all inputs are TTL compatible.

PRODUCT LINE & FEATURES

Parameter		MB814405C-60	MB814405C-70
RAS Access Time		60 ns max.	70 ns max.
CAS Access Time		15 ns max.	20 ns max.
Address Access Time		30 ns max.	35 ns max.
Random Cycle Time		104 ns max.	119 ns min.
Fast Page Mode Cycle Time		25 ns min.	30 ns min.
Low Power Dissipation	Operating current	Normal Mode	336 mW max.
		Hyper Page Mode	363 mW max.
	Standby current	11 mW max. (TTL level)/5.5 mW max. (CMOS level)	

- 1,048,576 words × 4 bit organization
- Silicon gate, CMOS, Advanced-Stacked Capacitor Cell
- All input and output are TTL compatible
- 1024 refresh cycles every 16.4 ms
- Self refresh function
- Early write or \overline{OE} controlled write capability
- RAS-only, CAS-before-RAS, or Hidden Refresh
- Hyper Page Mode, Read-Modify-Write capability
- On chip substrate bias generator for high performance

This device contains circuitry to protect the inputs against damage due to high static voltages or electric fields. However, it is advised that normal precautions be taken to avoid application of any voltage higher than maximum rated voltages to this high impedance circuit.

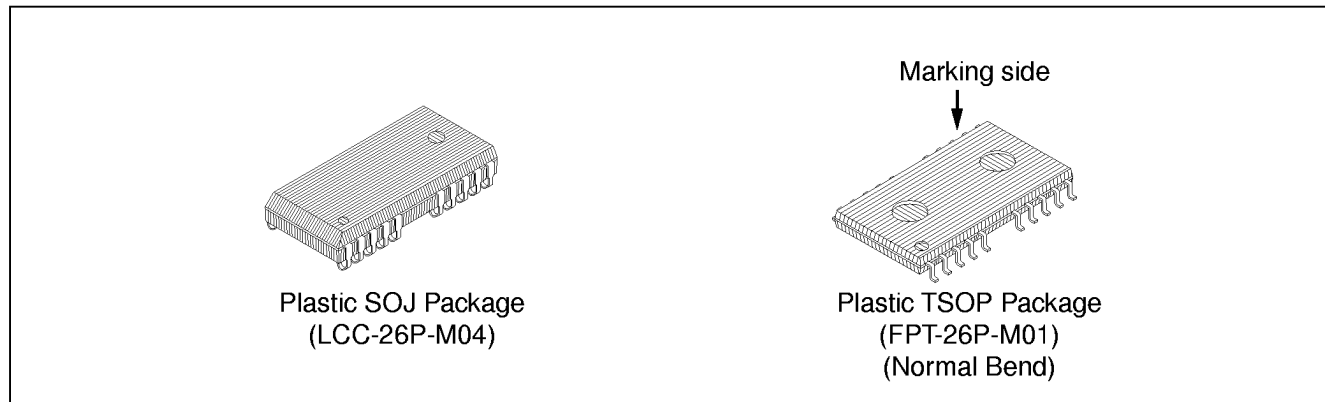
MB814405C-60/MB814405C-70

■ ABSOLUTE MAXIMUM RATINGS (See WARNING)

Parameter	Symbol	Value	Unit
Voltage at any pin relative to V_{SS}	V_{IN}, V_{OUT}	-0.5 to +7.0	V
Voltage of V_{CC} supply relative to V_{SS}	V_{CC}	-0.5 to +7.0	V
Power Dissipation	P_D	1.0	W
Short Circuit Output Current	I_{OUT}	-50 to +50	mA
Storage Temperature	T_{STG}	-55 to +125	°C

WARNING: Permanent device damage may occur if the above **Absolute Maximum Ratings** are exceeded. Functional operation should be restricted to the conditions as detailed in the operational sections of this data sheet. Exposure to absolute maximum rating conditions for extended periods may affect device reliability

■ PACKAGE

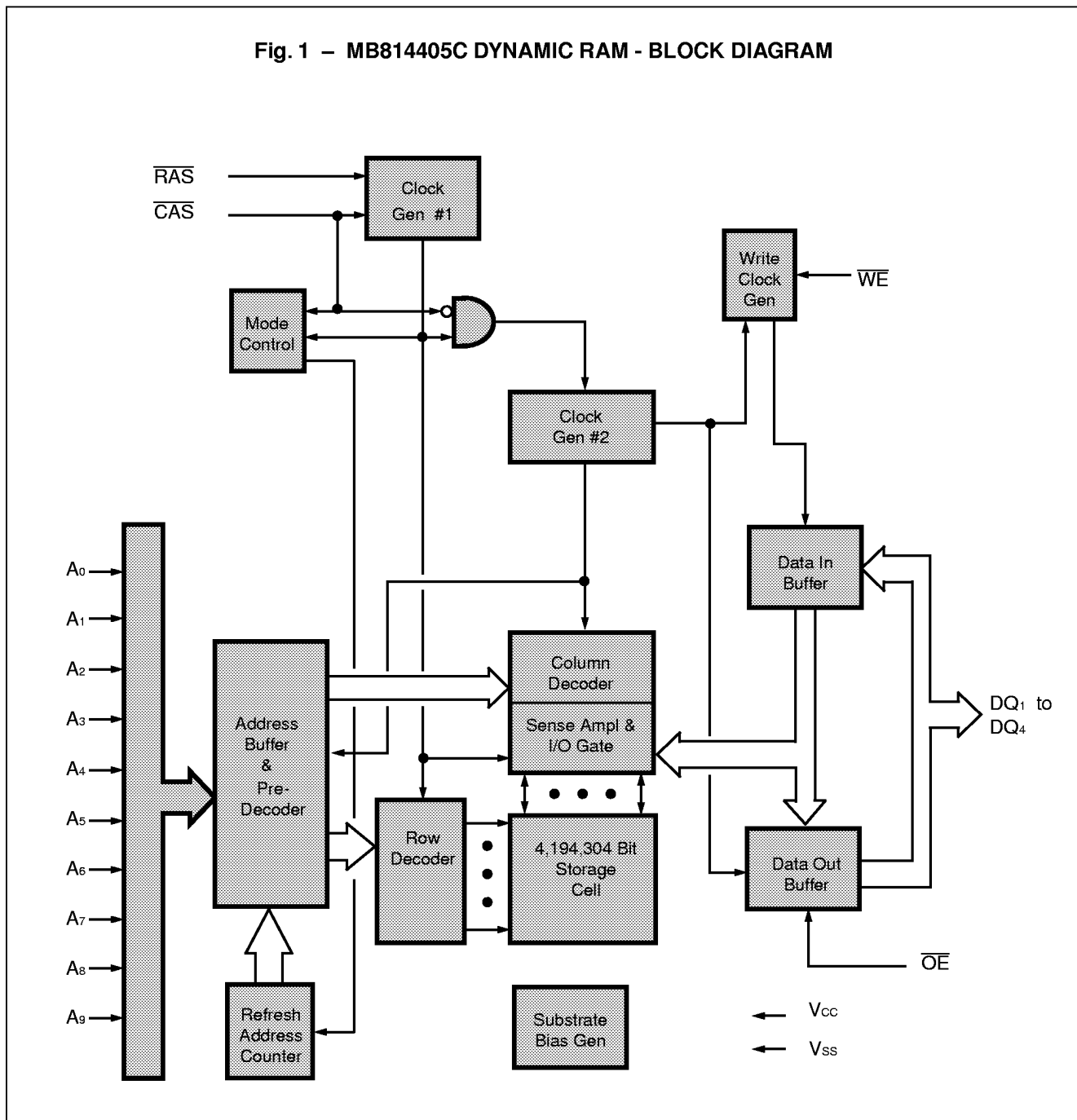


Package and Ordering Information

- 26-pin plastic (300 mil) SOJ, order as MB814405C-xxPJN
- 26-pin plastic (300 mil) TSOP-II with normal bend leads, order as MB814405C-xxPFTN

MB814405C-60/MB814405C-70

Fig. 1 – MB814405C DYNAMIC RAM - BLOCK DIAGRAM



■ CAPACITANCE

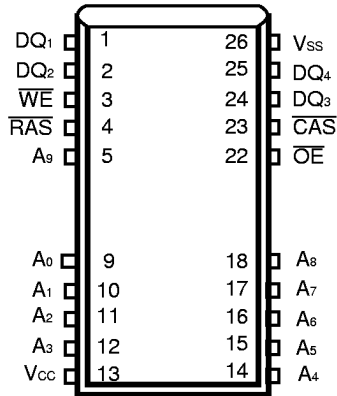
($T_A = 25^\circ\text{C}$, $f = 1\text{ MHz}$)

Parameter	Symbol	Typ.	Max.	Unit
Input Capacitance, A_0 to A_9	C_{IN1}	–	5	pF
Input Capacitance, $\overline{\text{RAS}}$, $\overline{\text{CAS}}$, $\overline{\text{WE}}$, $\overline{\text{OE}}$	C_{IN2}	–	7	pF
Input/Output Capacitance, DQ_1 to DQ_4	C_{DQ}	–	7	pF

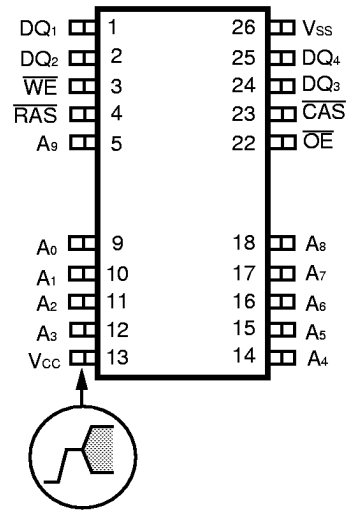
MB814405C-60/MB814405C-70

■ PIN ASSIGNMENTS AND DESCRIPTIONS

26-Pin SOJ:
(TOP VIEW)
<LCC-26P-M04>



26-Pin TSOP:
(TOP VIEW)
<Normal Bend : FPT-26P-M01>



Designator	Function
DQ ₁ to DQ ₄	Data Input/Output
\overline{WE}	Write enable
\overline{RAS}	Row address strobe
A ₀ to A ₉	Address inputs
V _{CC}	+5.0 volt power supply
OE	Output enable
\overline{CAS}	Column address strobe
V _{SS}	Circuit ground

MB814405C-60/MB814405C-70

RECOMMENDED OPERATING CONDITIONS

Parameter	Symbol	Min.	Typ.	Max.	Unit	Ambient Operating Temp.
Supply Voltage* ¹	V _{CC}	4.5	5.0	5.5	V	0°C to +70°C
	V _{SS}	0	0	0		
Input High Voltage, all inputs* ¹	V _{IH}	2.4	—	6.5	V	
Input Low Voltage, all inputs* ¹	V _{IL}	-0.3	—	0.8	V	

* : Undershoots of up to -2.0 volts with a pulse width not exceeding 20ns are acceptable.

FUNCTIONAL OPERATION

ADDRESS INPUTS

Twenty input bits are required to decode any four of 4,194,304 cell addresses in the memory matrix. Since only ten address bits are available, the column and row inputs are separately strobed by $\overline{\text{CAS}}$ and $\overline{\text{RAS}}$ as shown in Figure 5. First, ten row address bits are input on pins A₀-through-A₉ and latched with the row address strobe ($\overline{\text{RAS}}$) then, ten column address bits are input and latched with the column address strobe ($\overline{\text{CAS}}$). Both row and column addresses must be stable on or before the falling edge of $\overline{\text{CAS}}$ and $\overline{\text{RAS}}$, respectively. The address latches are of the flow-through type; thus, address information appearing after t_{RAH} (min)+ t_T is automatically treated as the column address.

WRITE ENABLE

The read or write mode is determined by the logic state of $\overline{\text{WE}}$. When $\overline{\text{WE}}$ is active Low, a write cycle is initiated; when $\overline{\text{WE}}$ is High, a read cycle is selected. During the read mode, input data is ignored.

DATA INPUT

Input data is written into memory in either of three basic ways—an early write cycle, an $\overline{\text{OE}}$ (delayed) write cycle, and a read-modify-write cycle. The falling edge of $\overline{\text{WE}}$ or $\overline{\text{CAS}}$, whichever is later, serves as the input data-latch strobe. In an early write cycle, the input data (DQ₁-DQ₄) is strobed by $\overline{\text{CAS}}$ and the setup/hold times are referenced to $\overline{\text{CAS}}$ because $\overline{\text{WE}}$ goes Low before $\overline{\text{CAS}}$. In a delayed write or a read-modify-write cycle, $\overline{\text{WE}}$ goes Low after $\overline{\text{CAS}}$; thus, input data is strobed by $\overline{\text{WE}}$ and all setup/hold times are referenced to the write-enable signal.

DATA OUTPUT

The three-state buffers are TTL compatible with a fanout of two TTL loads. Polarity of the output data is identical to that of the input; the output buffers remain in the high-impedance state until the column address strobe goes Low. When a read or read-modify-write cycle is executed, valid outputs and High-Z state are obtained under the following conditions:

- t_{RAC} : from the falling edge of $\overline{\text{RAS}}$ when t_{RCD} (max) is satisfied.
- t_{CAC} : from the falling edge of $\overline{\text{CAS}}$ when t_{RCD} is greater than t_{RCD} (max).
- t_{AA} : from column address input when t_{RAD} is greater than t_{RAD} (max), and t_{RCD} (max) is satisfied.
- t_{OE} : from the falling edge of $\overline{\text{OE}}$ when $\overline{\text{OE}}$ is brought Low after t_{RAC}, t_{CAC}, or t_{AA}
- t_{OEZ} : from $\overline{\text{OE}}$ inactive.
- t_{OFF} : from $\overline{\text{CAS}}$ inactive while $\overline{\text{RAS}}$ inactive.
- t_{OFFR} : from $\overline{\text{RAS}}$ inactive while $\overline{\text{CAS}}$ inactive.
- t_{WEZ} : from $\overline{\text{WE}}$ active while $\overline{\text{CAS}}$ inactive.

The data remains valid after either $\overline{\text{OE}}$ is inactive, or both $\overline{\text{RAS}}$ and $\overline{\text{CAS}}$ are inactive, or $\overline{\text{CAS}}$ is reactivated. When an early write is executed, the output buffers remain in a high-impedance state during the entire cycle.

MB814405C-60/MB814405C-70

HYPER PAGE MODE OPERATION

The hyper page mode operation provides faster memory access and lower power dissipation. The hyper page mode is implemented by keeping the same row address and strobing in successive column addresses. To satisfy these conditions, \overline{RAS} is held Low for all contiguous memory cycles in which row addresses are common. For each page of memory (within column address locations), any of $1,024 \times 4$ -bits can be accessed and, when multiple MB814405Cs are used, \overline{CAS} is decoded to select the desired memory page. Hyper page mode operations need not be addressed sequentially and combinations of read, write, and/or read-modify-write cycles are permitted. Hyper page mode features that output remains valid when \overline{CAS} is inactive until \overline{CAS} is reactivated.

MB814405C-60/MB814405C-70

■ DC CHARACTERISTICS

(Recommended operating conditions unless otherwise noted.)

Notes 3

Parameter	Symbol	Conditions	Value			Unit
			Min.	Typ.	Max.	
Output high voltage*1	V_{OH}	$I_{OH} = -5.0 \text{ mA}$	2.4	—	—	V
Output low voltage*1	V_{OL}	$I_{OL} = 4.2 \text{ mA}$	—	—	0.4	
Input leakage current (any input)	$I_{I(L)}$	$0 \text{ V} \leq V_{IN} \leq 5.5 \text{ V};$ $4.5 \text{ V} \leq V_{CC} \leq 5.5 \text{ V};$ $V_{SS} = 0 \text{ V};$ All other pins not under test = 0 V	-10	—	10	μA
Output leakage current	$I_{O(L)}$	$0 \text{ V} \leq V_{OUT} \leq 5.5 \text{ V};$ Data out disabled	-10	—	10	
Operating current (Average power supply current)*2	MB814405C-60	$\overline{\text{RAS}}$ & $\overline{\text{CAS}}$ cycling; $t_{RC} = \text{min}$	—	—	61	mA
	MB814405C-70				54	
Standby current (Power supply current)	TTL level	$\overline{\text{RAS}} = \overline{\text{CAS}} = V_{IH}$	—	—	2.0	mA
	CMOS level	$\overline{\text{RAS}} = \overline{\text{CAS}} \geq V_{CC} - 0.2 \text{ V}$			1.0	
Refresh current #1 (Average power supply current)*2	MB814405C-60	$\overline{\text{CAS}} = V_{IH}, \overline{\text{RAS}}$ cycling; $t_{RC} = \text{min}$	—	—	61	mA
	MB814405C-70				54	
Hyper page mode current*2	MB814405C-60	$\overline{\text{RAS}} = V_{IL}, \overline{\text{CAS}}$ cycling; $t_{HPC} = \text{min}$	—	—	66	mA
	MB814405C-70				55	
Refresh current #2 (Average power supply current)*2	MB814405C-60	$\overline{\text{RAS}}$ cycling; $\overline{\text{CAS}}$ -before- $\overline{\text{RAS}}$; $t_{RC} = \text{min}$	—	—	49	mA
	MB814405C-70				44	
Refresh current #3 (Average power supply current)	MB814405C-60	$\overline{\text{RAS}} = \overline{\text{CAS}} \leq 0.2 \text{ V}$ Self refresh	—	—	1000	μA
	MB814405C-70				1000	

MB814405C-60/MB814405C-70

■ AC CHARACTERISTICS

(At recommended operating conditions unless otherwise noted.)

Notes 3, 4, 5

No.	Parameter	Symbol	MB814405C-60		MB814405C-70		Unit
			Min.	Max.	Min.	Max.	
1	Time Between Refresh	t _{REF}	—	16.4	—	16.4	ms
2	Random Read/Write Cycle Time	t _{RC}	104	—	119	—	ns
3	Read-Modify-Write Cycle Time	t _{RWC}	138	—	156	—	ns
4	Access Time from $\overline{\text{RAS}}^{*6, 9}$	t _{RAC}	—	60	—	70	ns
5	Access Time from $\overline{\text{CAS}}^{*7, 9}$	t _{CAC}	—	15	—	20	ns
6	Column Address Access Time ^{*8, 9}	t _{AA}	—	30	—	35	ns
7	Output Hold Time	t _{OH}	5	—	5	—	ns
8	Output Hold Time from $\overline{\text{CAS}}$	t _{OHc}	5	—	5	—	ns
9	Output Buffer Turn On Delay Time	t _{ON}	0	—	0	—	ns
10	Output Buffer Turn Off Delay Time ^{*10}	t _{OFF}	—	15	—	15	ns
11	Output Buffer Turn Off Delay Time from RAS	t _{OFr}	—	15	—	15	ns
12	Output Buffer Turn Off Delay Time from $\overline{\text{WE}}$	t _{WEZ}	—	15	—	15	ns
13	Transition Time	t _T	1	50	1	50	ns
14	$\overline{\text{RAS}}$ Precharge Time	t _{RP}	40	—	45	—	ns
15	$\overline{\text{RAS}}$ Pulse Width	t _{RAS}	60	100000	70	100000	ns
16	$\overline{\text{RAS}}$ Hold Time	t _{RSH}	15	—	20	—	ns
17	$\overline{\text{CAS}}$ to $\overline{\text{RAS}}$ Precharge Time ^{*21}	t _{CRP}	0	—	0	—	ns
18	$\overline{\text{RAS}}$ to $\overline{\text{CAS}}$ Delay Time ^{*11, 12, 22}	t _{RCD}	14	45	14	50	ns
19	$\overline{\text{CAS}}$ Pulse Width	t _{CAS}	10	10000	10	10000	ns
20	$\overline{\text{CAS}}$ Hold Time	t _{CSH}	40	—	50	—	ns
21	$\overline{\text{CAS}}$ Precharge Time (Normal) ^{*19}	t _{CPN}	10	—	10	—	ns
22	Row Address Set Up Time	t _{ASR}	0	—	0	—	ns
23	Row Address Hold Time	t _{RAH}	10	—	10	—	ns
24	Column Address Set Up Time	t _{ASC}	0	—	0	—	ns
25	Column Address Hold Time	t _{CAH}	10	—	10	—	ns
26	$\overline{\text{RAS}}$ to Column Address Delay Time ^{*13}	t _{RAD}	12	30	12	35	ns
27	Column Address to $\overline{\text{RAS}}$ Lead Time	t _{RAL}	30	—	35	—	ns
28	Column Address to $\overline{\text{CAS}}$ Lead Time	t _{CAL}	23	—	28	—	ns
29	Read Command Set Up Time	t _{RCS}	0	—	0	—	ns
30	Read Command Hold Time Referenced to $\overline{\text{RAS}}^{*14}$	t _{RRH}	0	—	0	—	ns
31	Read Command Hold Time Referenced to $\overline{\text{CAS}}^{*14}$	t _{RCH}	0	—	0	—	ns
32	Write Command Set Up Time ^{*15}	t _{WCS}	0	—	0	—	ns
33	Write Command Hold Time	t _{WCH}	10	—	10	—	ns
34	$\overline{\text{WE}}$ Pulse Width	t _{WP}	10	—	10	—	ns
35	Write Command to $\overline{\text{RAS}}$ Lead Time	t _{RWL}	15	—	18	—	ns
36	Write Command to $\overline{\text{CAS}}$ Lead Time	t _{CWL}	10	—	10	—	ns
37	DIN Set Up Time	t _{DS}	0	—	0	—	ns

(Continued)

MB814405C-60/MB814405C-70

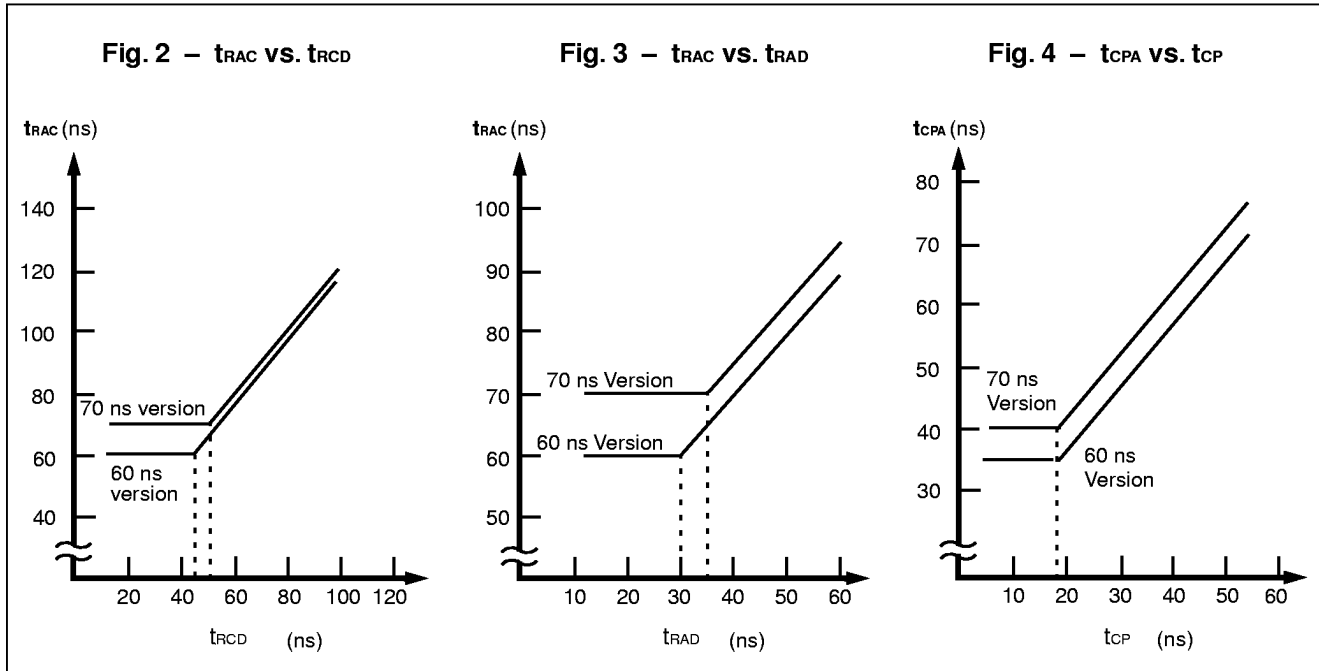
(Continued)

No.	Parameter	Symbol	MB814405C-60		MB814405C-70		Unit
			Min.	Max.	Min.	Max.	
38	DIN Hold Time	t_{DH}	10	—	10	—	ns
39	\overline{RAS} to \overline{WE} Delay Time	t_{RWD}	77	—	87	—	ns
40	\overline{CAS} to \overline{WE} Delay Time	t_{CWD}	32	—	37	—	ns
41	Column Address to \overline{WE} Delay Time	t_{AWD}	47	—	52	—	ns
42	\overline{RAS} Precharge Time to \overline{CAS} Active Time (Refresh cycles)	t_{RPC}	5	—	5	—	ns
43	\overline{CAS} Set Up Time for \overline{CAS} -before- \overline{RAS} Refresh	t_{CSR}	0	—	0	—	ns
44	\overline{CAS} Hold Time for \overline{CAS} -before- \overline{RAS} Refresh	t_{CHR}	10	—	10	—	ns
45	\overline{WE} Set Up Time from \overline{RAS} * ²⁰	t_{WSR}	0	—	0	—	ns
46	\overline{WE} Hold Time from \overline{RAS} * ²⁰	t_{WHR}	10	—	10	—	ns
47	Access Time from \overline{OE} * ⁹	t_{OEA}	—	15	—	20	ns
48	Output Buffer Turn Off Delay from \overline{OE} * ¹⁰	t_{OEZ}	—	15	—	15	ns
49	\overline{OE} to \overline{RAS} Lead Time for Valid Data	t_{OEL}	10	—	10	—	ns
50	\overline{OE} to \overline{CAS} Lead Time	t_{COL}	5	—	5	—	ns
51	\overline{OE} Hold Time Referenced to \overline{WE} * ¹⁶	t_{OEH}	0	—	0	—	ns
52	\overline{OE} to Data In Delay Time	t_{OED}	15	—	15	—	ns
53	DIN to \overline{CAS} Delay Time* ¹⁷	t_{DZC}	0	—	0	—	ns
54	DIN to \overline{OE} Delay Time* ¹⁷	t_{DZO}	0	—	0	—	ns
55	\overline{OE} Precharge Time	t_{OEP}	10	—	10	—	ns
56	\overline{OE} Hold Time Referenced to \overline{CAS}	t_{OECH}	10	—	10	—	ns
57	\overline{WE} Precharge Time	t_{WPZ}	10	—	10	—	ns
58	\overline{WE} to Data In Delay Time	t_{WED}	15	—	15	—	ns
59	\overline{RAS} to Data In Delay Time	t_{RDD}	15	—	15	—	ns
60	\overline{CAS} to Data In Delay Time	t_{CDD}	15	—	15	—	ns
61	\overline{RAS} to Column Address Hold Time	t_{AR}	26	—	26	—	ns
62	Write Command Hold Time Referenced to \overline{RAS}	t_{WCR}	24	—	24	—	ns
63	Data Input Hold Time Referenced to \overline{RAS}	t_{DHR}	24	—	24	—	ns
64	Hyper Page Mode Read/Write Cycle Time	t_{HPC}	25	—	30	—	ns
65	Hyper Page Mode Read-Modify-Write Cycle Time	t_{HPRWC}	66	—	71	—	ns
66	Access Time from \overline{CAS} Precharge* ^{9, 18}	t_{CPA}	—	35	—	40	ns
67	Hyper Page Mode \overline{CAS} Precharge Time	t_{CP}	10	—	10	—	ns
68	Hyper Page Mode \overline{RAS} Pulse Width	t_{RASP}	—	200000	—	200000	ns
69	Hyper Page Mode \overline{RAS} Hold Time from \overline{CAS} Precharge	t_{RHCP}	35	—	40	—	ns
70	Hyper Page Mode \overline{CAS} Precharge to \overline{WE} Delay Time	t_{CPWD}	52	—	57	—	ns

MB814405C-60/MB814405C-70

- Notes:
1. Referenced to V_{SS} .
 2. I_{CC} depends on the output load conditions and cycle rates; The specified values are obtained with the output open.
 I_{CC} depends on the number of address change as $\overline{RAS}=V_{IL}$ and $\overline{CAS}=V_{IH}$
 I_{CC1} , I_{CC3} and I_{CC5} are specified at one time of address change during $\overline{RAS}=V_{IL}$ and $\overline{CAS}=V_{IH}$.
 I_{CC4} is specified at one time of address change during one Page cycle.
 3. An Initial pause ($\overline{RAS}=\overline{CAS}=V_{IH}$) of 200 μs is required after power-up followed by any eight \overline{RAS} -only cycles before proper device operation is achieved. In case of using internal refresh counter, a minimum of eight \overline{CAS} -before- \overline{RAS} initialization cycles instead of 8 \overline{RAS} cycles are required.
 4. AC characteristics assume $t_T = 2$ ns.
 5. V_{IH} (min) and V_{IL} (max) are reference levels for measuring timing of input signals. Also transition times are measured between V_{IH} (min) and V_{IL} (max).
 6. Assumes that $t_{RCD} \leq t_{RCD}(\max)$, $t_{RAD} \leq t_{RAD}(\max)$. If t_{RCD} is greater than the maximum recommended value shown in this table, t_{RAC} will be increased by the amount that t_{RCD} exceeds the value shown. Refer to Fig. 2 and 3.
 7. If $t_{RCD} \geq t_{RCD}(\max)$, $t_{RAD} \geq t_{RAD}(\max)$, and $t_{ASC} \geq t_{AA} - t_{CAC} - t_T$, access time is t_{CAC} .
 8. If $t_{RAD} \geq t_{RAD}(\max)$ and $t_{ASC} \leq t_{AA} - t_{CAC} - t_T$, access time is t_{AA} .
 9. Measured with a load equivalent to two TTL loads and 100 pF.
 10. t_{OFF} and t_{OEZ} is specified that output buffer change to high impedance state.
 11. Operation within the $t_{RCD}(\max)$ limit ensures that $t_{RAC}(\max)$ can be met. $t_{RCD}(\max)$ is specified as a reference point only; if t_{RCD} is greater than the specified $t_{RCD}(\max)$ limit, access time is controlled exclusively by t_{CAC} or t_{AA} .
 12. $t_{RCD}(\min) = t_{RAH}(\min) + 2t_T + t_{ASC}(\min)$.
 13. Operation within the $t_{RAD}(\max)$ limit ensures that $t_{RAC}(\max)$ can be met. $t_{RAD}(\max)$ is specified as a reference point only; if t_{RAD} is greater than the specified $t_{RAD}(\max)$ limit, access time is controlled exclusively by t_{CAC} or t_{AA} .
 14. Either t_{RRH} or t_{RCH} must be satisfied for a read cycle.
 15. t_{WCS} is specified as a reference point only. If $t_{WCS} \geq t_{WCS}(\min)$ the data output pin will remain High-Z state through entire cycle.
 16. Assumes that $t_{WCS} < t_{WCS}(\min)$.
 17. Either t_{DZC} or t_{DZO} must be satisfied.
 18. t_{CPA} is access time from the selection of a new column address (that is caused by changing \overline{CAS} from "L" to "H"). Therefore, if t_{CP} is long, t_{CPA} is longer than $t_{CPA}(\max)$ as shown in Fig. 4.
 19. Assumes that \overline{CAS} -before- \overline{RAS} refresh.
 20. Assumes that Test mode function.
 21. The last \overline{CAS} rising edge.
 22. The first \overline{CAS} falling edge.

MB814405C-60/MB814405C-70



FUNCTIONAL TRUTH TABLE

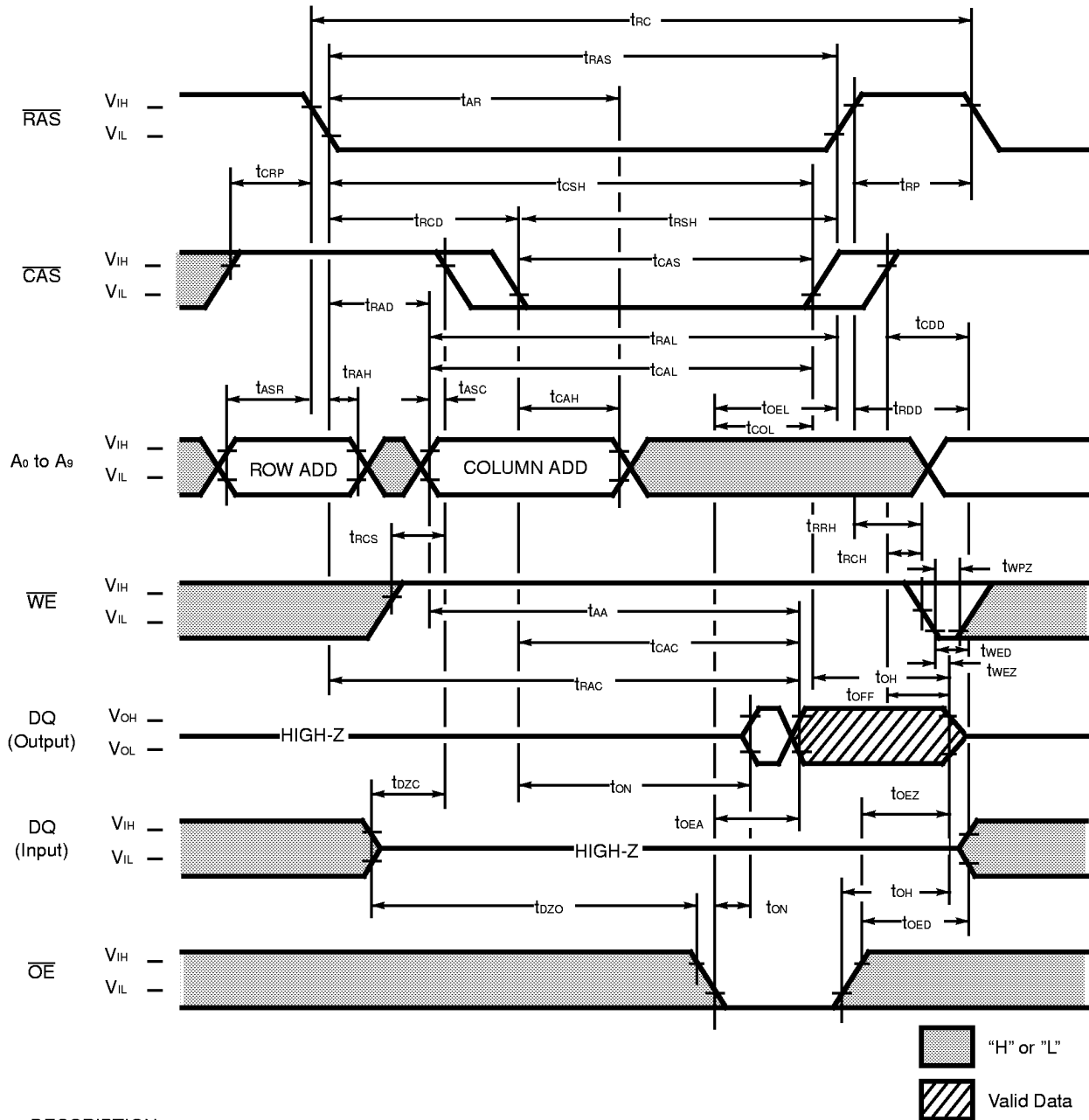
Operation Mode	Clock Input				Address		Input Data		Refresh	Note
	RAS	CAS	WE	OE	Row	Column	Input	Output		
Standby	H	H	X	X	—	—	—	High-Z	—	
Read Cycle	L	L	H	L	Valid	Valid	—	Valid	Yes*	t _{RCS} ≥ t _{RCS} (min)
Write Cycle (Early Write)	L	L	L	X	Valid	Valid	Valid	High-Z	Yes*	t _{WCS} ≥ t _{WCS} (min)
Read-Modify-Write Cycle	L	L	H→L	L→H	Valid	Valid	Valid	Valid	Yes*	t _{CWD} ≥ t _{CWD} (min)
RAS-only Refresh Cycle	L	H	X	X	Valid	—	—	High-Z	Yes	
CAS-before-RAS Refresh Cycle	L	L	H	X	—	—	—	High-Z	Yes	t _{CSR} ≥ t _{CSR} (min)
Hidden Refresh Cycle	H→L	L	H	L	—	—	—	Valid	Yes	Previous data is kept
Test Mode Set Cycle (CBR)	L	L	L	X	—	—	—	High-Z	Yes	t _{CSR} ≥ t _{CSR} (min) t _{WSR} ≥ t _{WSR} (min)
Test Mode Set Cycle (Hidden)	H→L	L	L	X	—	—	—	Valid	Yes	t _{CSR} ≥ t _{CSR} (min) t _{WSR} ≥ t _{WSR} (min)

Note: X : "H" or "L"

* : It is impossible in Hyper Page Mode.

MB814405C-60/MB814405C-70

Fig. 5 – READ CYCLE



DESCRIPTION

To implement a read operation, a valid address is latched by the $\overline{\text{RAS}}$ and $\overline{\text{CAS}}$ address strobes and with $\overline{\text{WE}}$ set to a High level and $\overline{\text{OE}}$ set to a low level, the output is valid once the memory access time has elapsed. The access time is determined by $\text{RAS}(t_{\text{RAC}})$, $\overline{\text{CAS}}(t_{\text{CAC}})$, $\overline{\text{OE}}(t_{\text{OE}})$ or column addresses (t_{AA}) under the following conditions:

If $t_{\text{RCD}} > t_{\text{RCD}}(\text{max})$, access time = t_{CAC} .

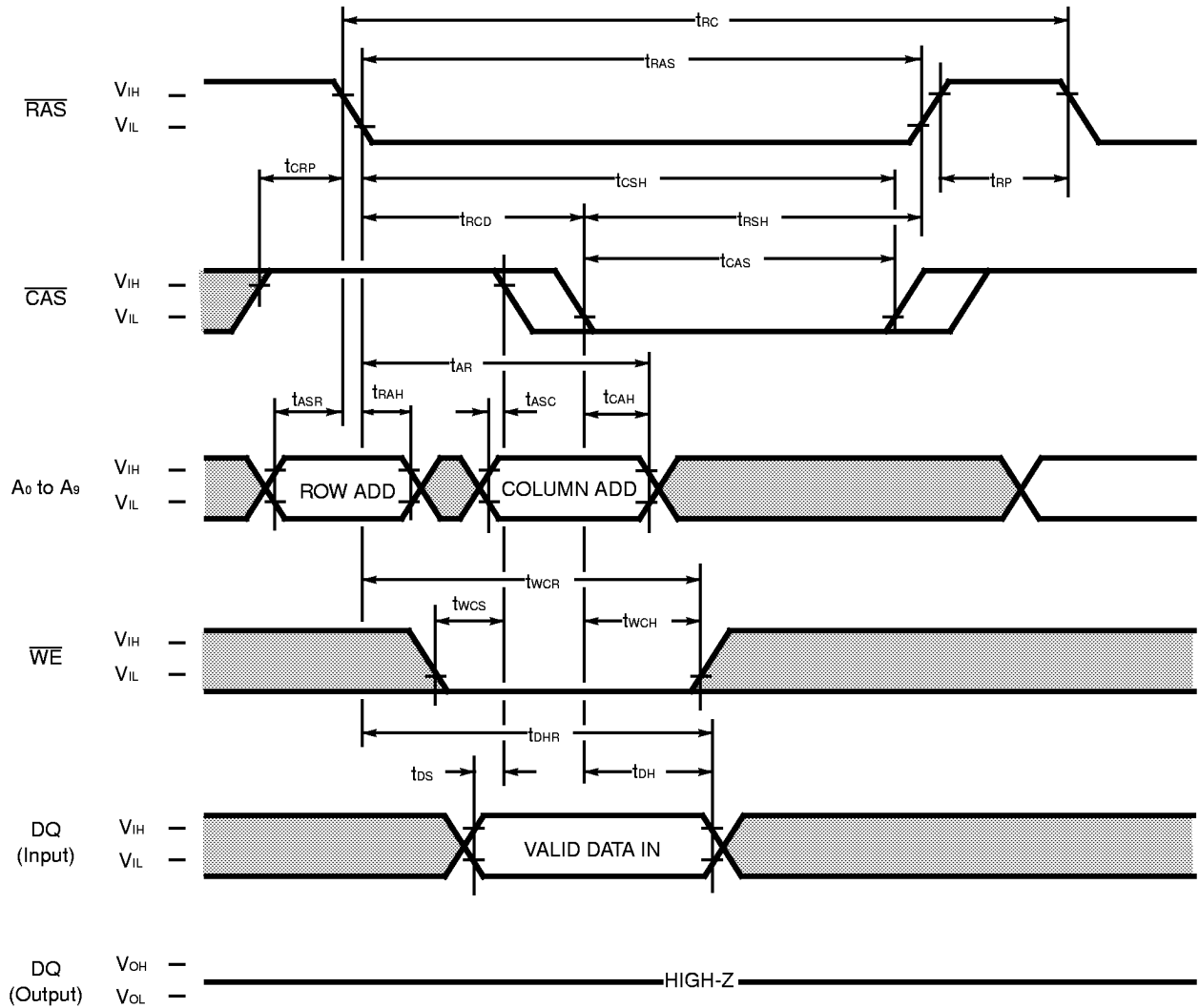
If $t_{\text{RAD}} > t_{\text{RAD}}(\text{max})$, access time = t_{AA} .

If $\overline{\text{OE}}$ is brought Low after t_{RAC} , t_{CAC} , or t_{AA} (whichever occurs later), access time = t_{OE} .

However, if either $\overline{\text{OE}}$ or both $\overline{\text{RAS}}$ and $\overline{\text{CAS}}$ or $\overline{\text{OE}}$ goes High, the output returns to a high-impedance state after t_{OH} is satisfied.

MB814405C-60/MB814405C-70

Fig. 6 – EARLY WRITE CYCLE



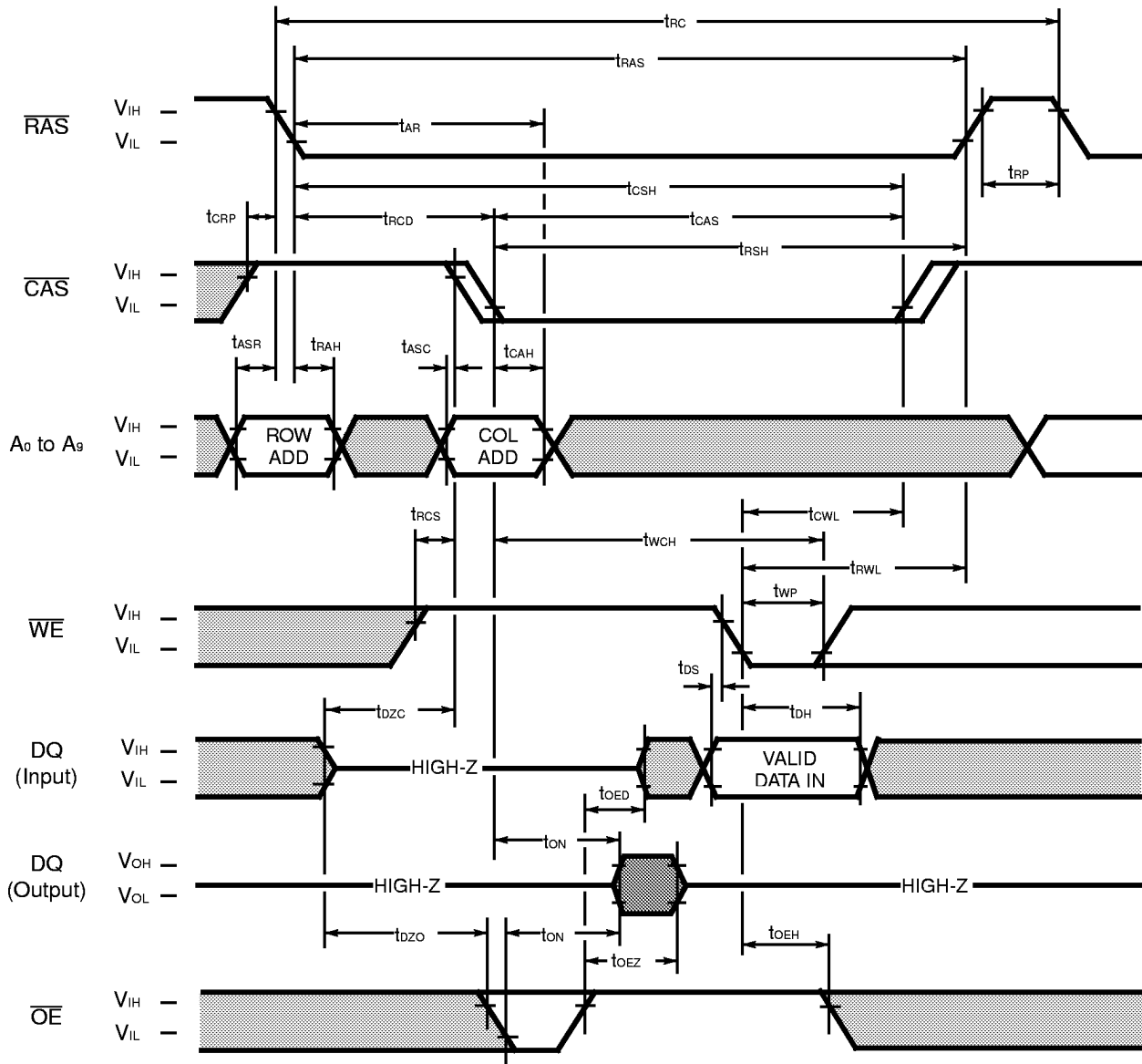
 "H" or "L"

DESCRIPTION

A write cycle is similar to a read cycle except \overline{WE} is set to a Low state and \overline{OE} is a "H" or "L" signal. A write cycle can be implemented in either of three ways—early write, delayed write, or read-modify-write. During all write cycles, timing parameters t_{RWL} , t_{CWL} , t_{RAL} and t_{CAL} must be satisfied. In the early write cycle shown above t_{WCS} satisfied, data on the DQ pins are latched with the falling edge of \overline{CAS} and written into memory.

MB814405C-60/MB814405C-70

Fig. 7 – DELAYED WRITE CYCLE (\overline{OE} CONTROLLED)

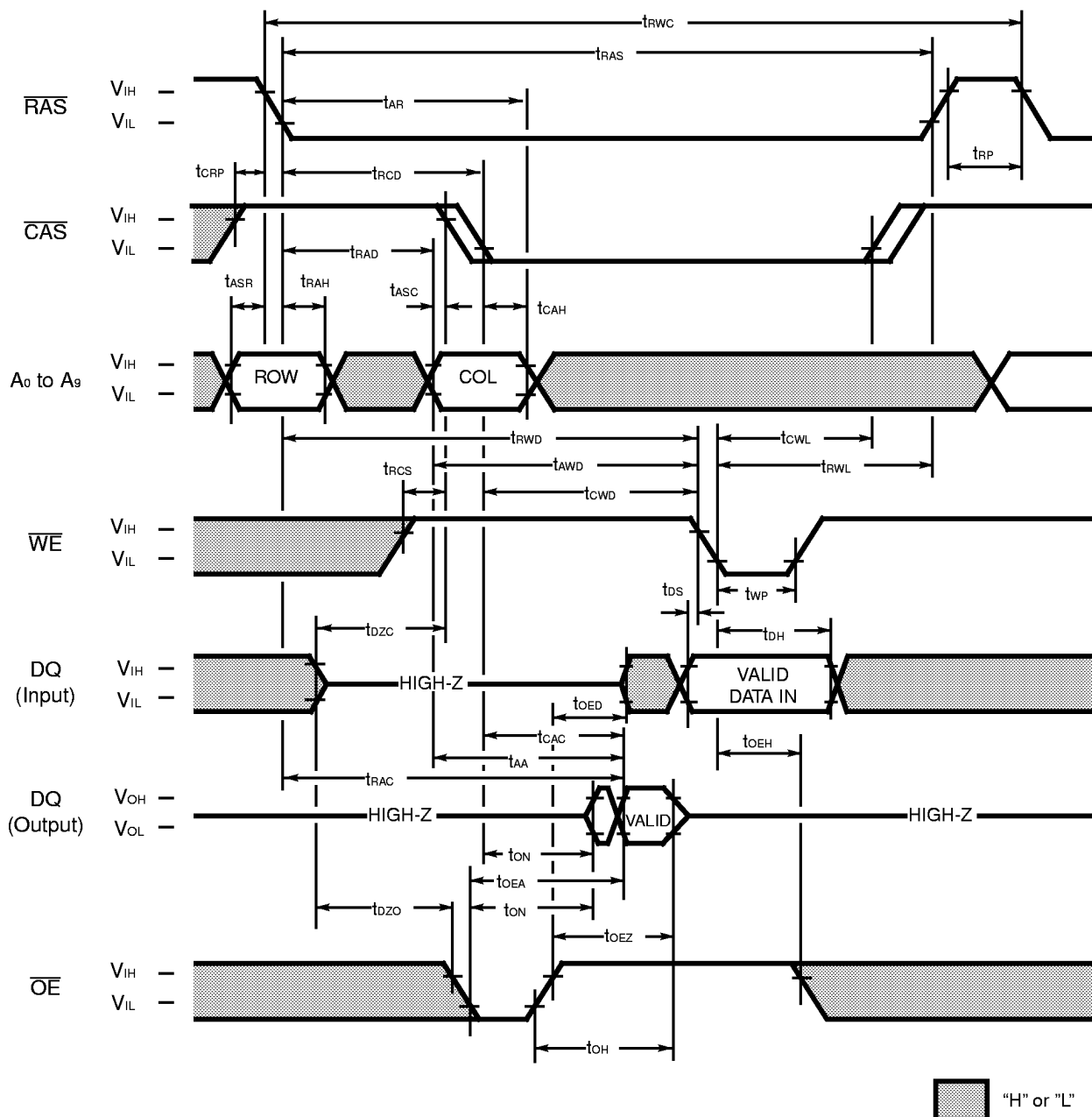


DESCRIPTION

In the delayed write cycle, t_{wcs} is not satisfied; thus, the data on the DQ pins is latched with the falling edge of \overline{WE} and written into memory. The Output Enable (\overline{OE}) signal must be changed from Low to High before \overline{WE} goes Low ($t_{oEd} + t_r + t_{ds}$).

MB814405C-60/MB814405C-70

Fig. 8 – READ-MODIFY-WRITE CYCLE

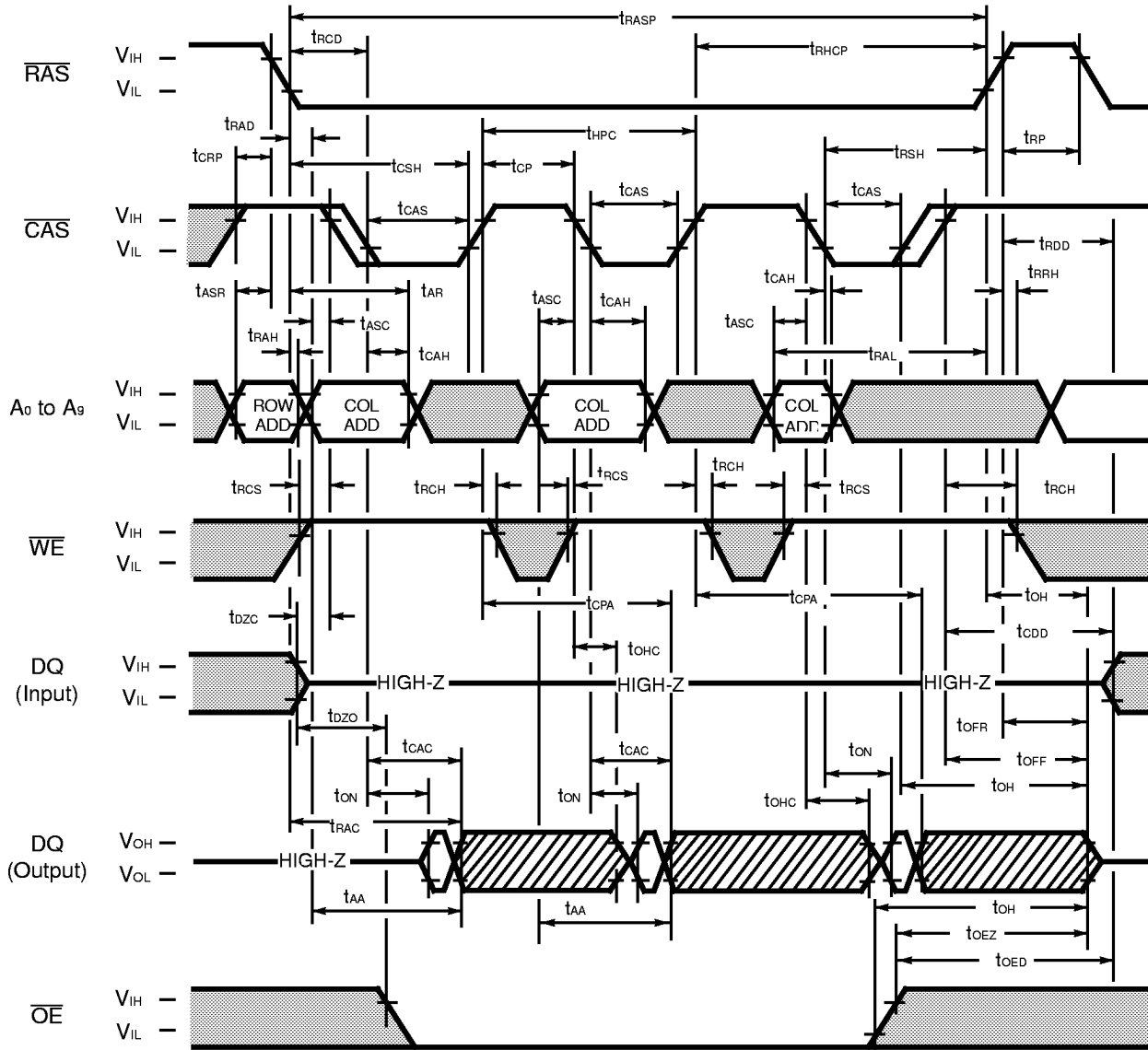


DESCRIPTION

The read-modify-write cycle is executed by changing \overline{WE} from High to Low after the data appears on the DQ pins. In the read-modify-write cycle, \overline{OE} must be changed from Low to High after the memory access time.

MB814405C-60/MB814405C-70

Fig. 9 – HYPER PAGE MODE READ CYCLE



During one cycle is achieved, the input/output timing apply the same manner as the former cycle.

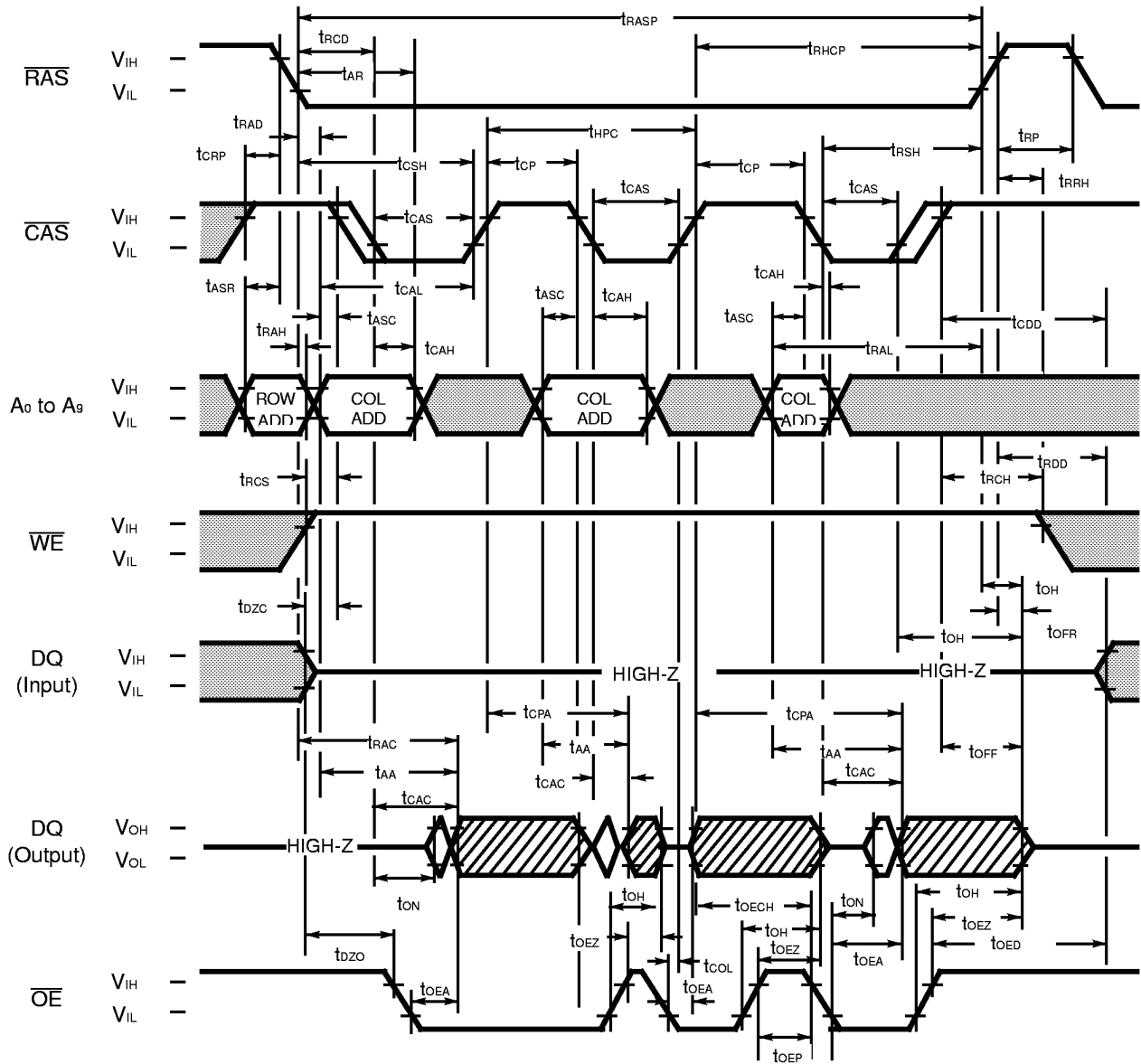


DESCRIPTION

The hyper page mode of operation permits faster successive memory operations at multiple column locations of the same row address. This operation is performed by strobing in the row address and maintaining $\overline{\text{RAS}}$ at a Low level during all successive memory cycles in which the row address is latched. The access time is determined by t_{CAC} , t_{AA} , t_{CPA} , or t_{OEa} , whichever one is the latest in occurring.

MB814405C-60/MB814405C-70

Fig. 10 – HYPER PAGE MODE READ CYCLE (\overline{OE} CONTROLLED)



During one cycle is achieved, the input/output timing apply the same manner as the former cycle.



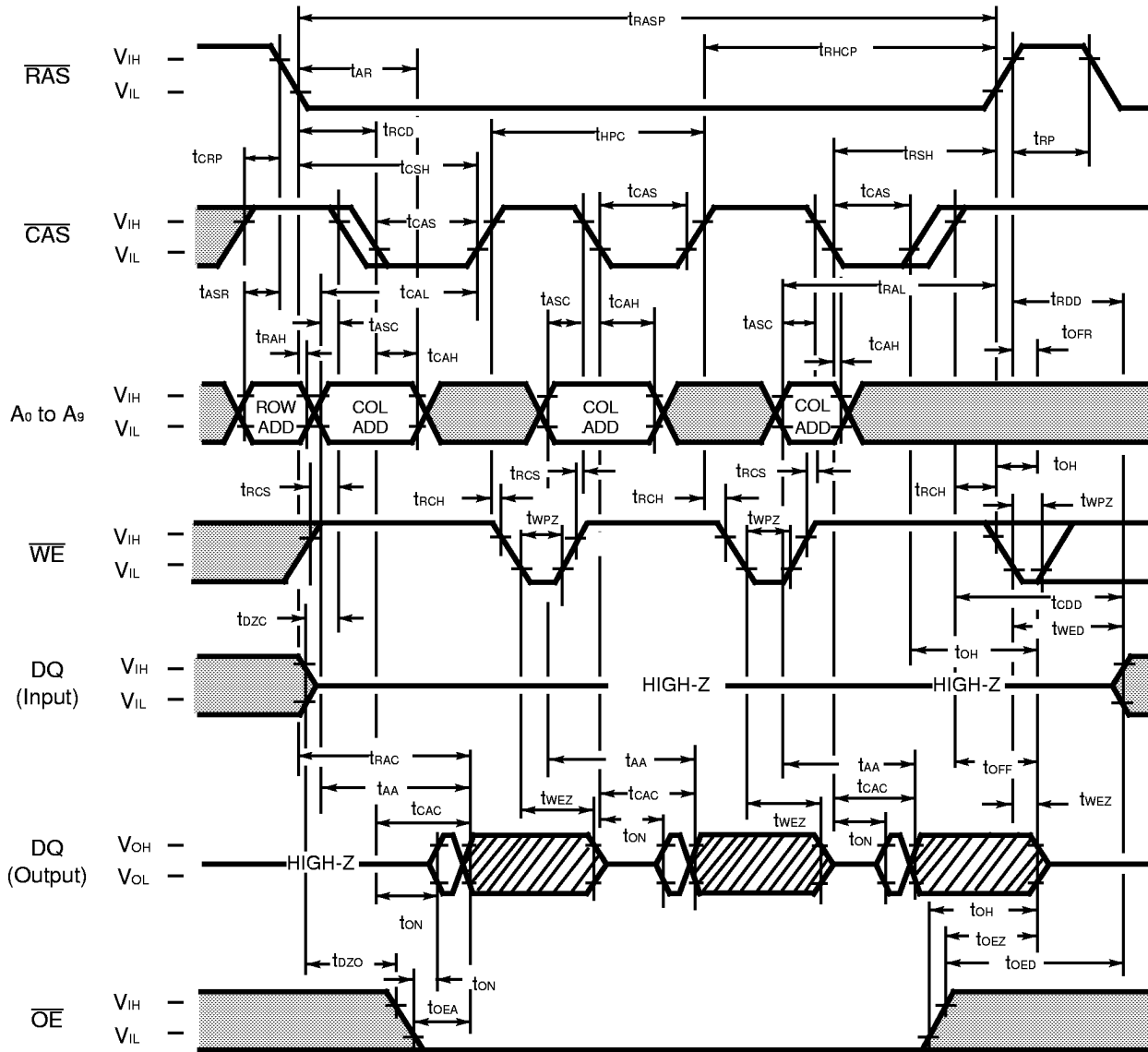
DESCRIPTION

The hyper page mode of operation permits faster successive memory operations at multiple column locations of the same row address. This operation is performed by strobing in the row address and maintaining \overline{RAS} at a Low level and \overline{WE} at a High level during all successive memory cycles in which the row address is latched. The access time is determined by t_{CAC} , t_{AA} , t_{CPA} , or t_{OEA} , whichever one is the latest in occurring.

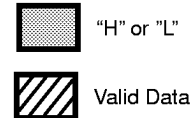
To obtain a high impedance state, set \overline{OE} or both \overline{RAS} and \overline{CAS} going high level.

MB814405C-60/MB814405C-70

Fig. 11 - HYPER PAGE MODE READ CYCLE (\overline{WE} CONTROLLED)



During one cycle is achieved, the input/output timing apply the same manner as the former cycle.



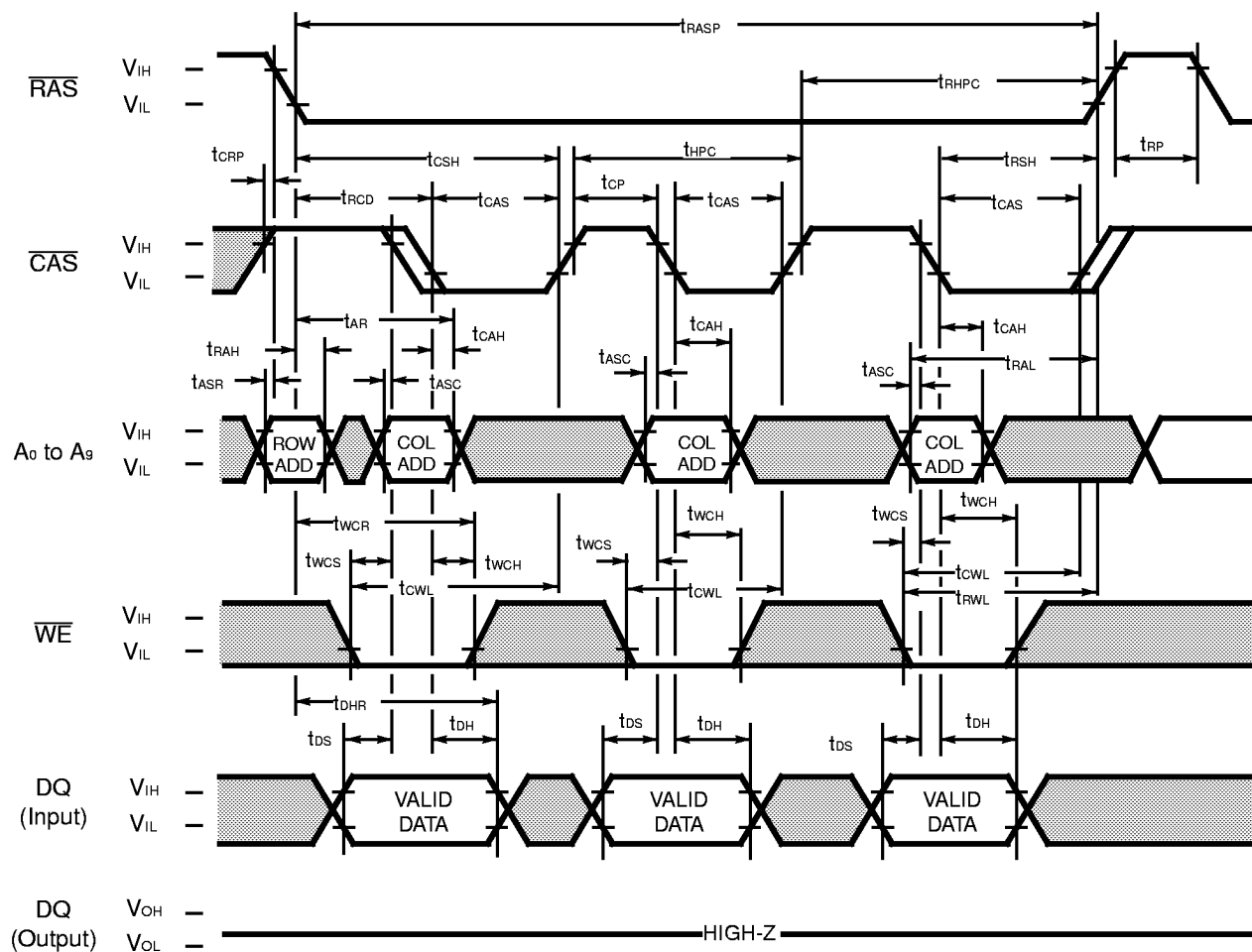
DESCRIPTION

The hyper page mode of operation permits faster successive memory operations at multiple column locations of the same row address. This operation is performed by strobing in the row address and maintaining \overline{RAS} at a Low level and \overline{WE} at a High level during all successive memory cycles in which the row address is latched. The address time is determined by t_{CAC} , t_{AA} , t_{CPA} , or t_{OEA} , whichever one is the latest in occurring.

To obtain a high impedance state, confirm either of the following conditions, \overline{OE} set to a high level or \overline{WE} set to a low level after \overline{CAS} set to a high level or \overline{RAS} and \overline{CAS} set to a high level.

MB814405C-60/MB814405C-70

Fig. 12 – HYPER PAGE MODE EARLY WRITE CYCLE



During one cycle is achieved, the input/output timing apply the same manner as the former cycle.

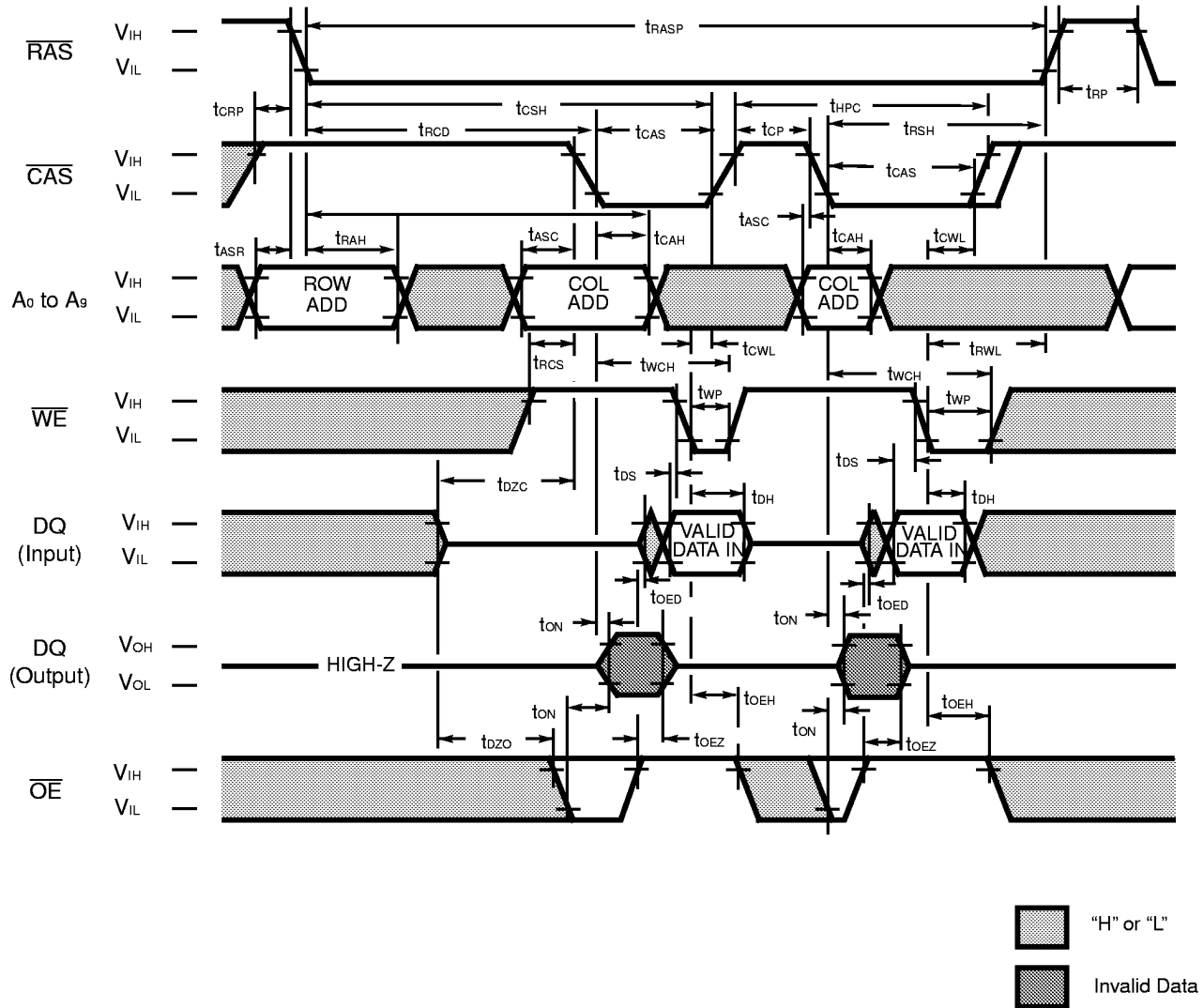


DESCRIPTION

The hyper page mode early write cycle is executed in the same manner as the hyper page mode read cycle except \overline{WE} is set to a low state and \overline{OE} is a “H” or “L” signal. Data appearing on the DQ pins is latched on the falling edge of \overline{CAS} and the data is written into the memory. During the hyper page mode write cycle, including the delayed (\overline{OE}) write and read-modify-write cycles, t_{CWL} must be satisfied.

MB814405C-60/MB814405C-70

Fig. 13 – HYPER PAGE MODE DELAYED WRITE CYCLE (\overline{OE} CONTROLLED)

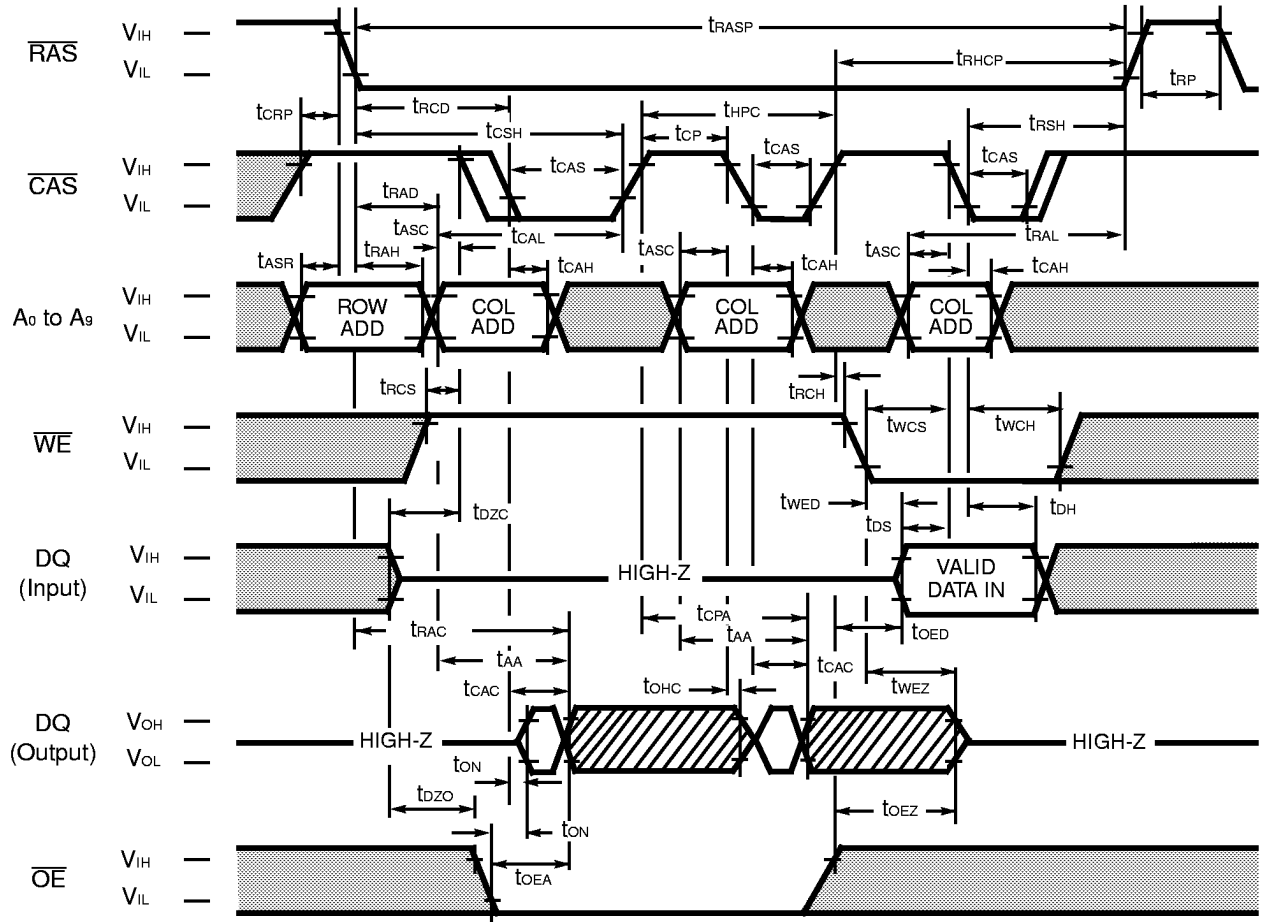


DESCRIPTION

The hyper page mode delayed write cycle is executed in the same manner as the hyper page mode early write cycle except for the states of \overline{WE} and \overline{OE} . Input data on the DQ pins are latched on the falling edge of \overline{WE} and written into memory. In the hyper page mode delayed write cycle, \overline{OE} must be changed from Low to High before \overline{WE} goes Low ($t_{OEZ} + t_r + t_{DS}$).

MB814405C-60/MB814405C-70

Fig. 14 – HYPER PAGE MODE READ/WRITE MIXED CYCLE



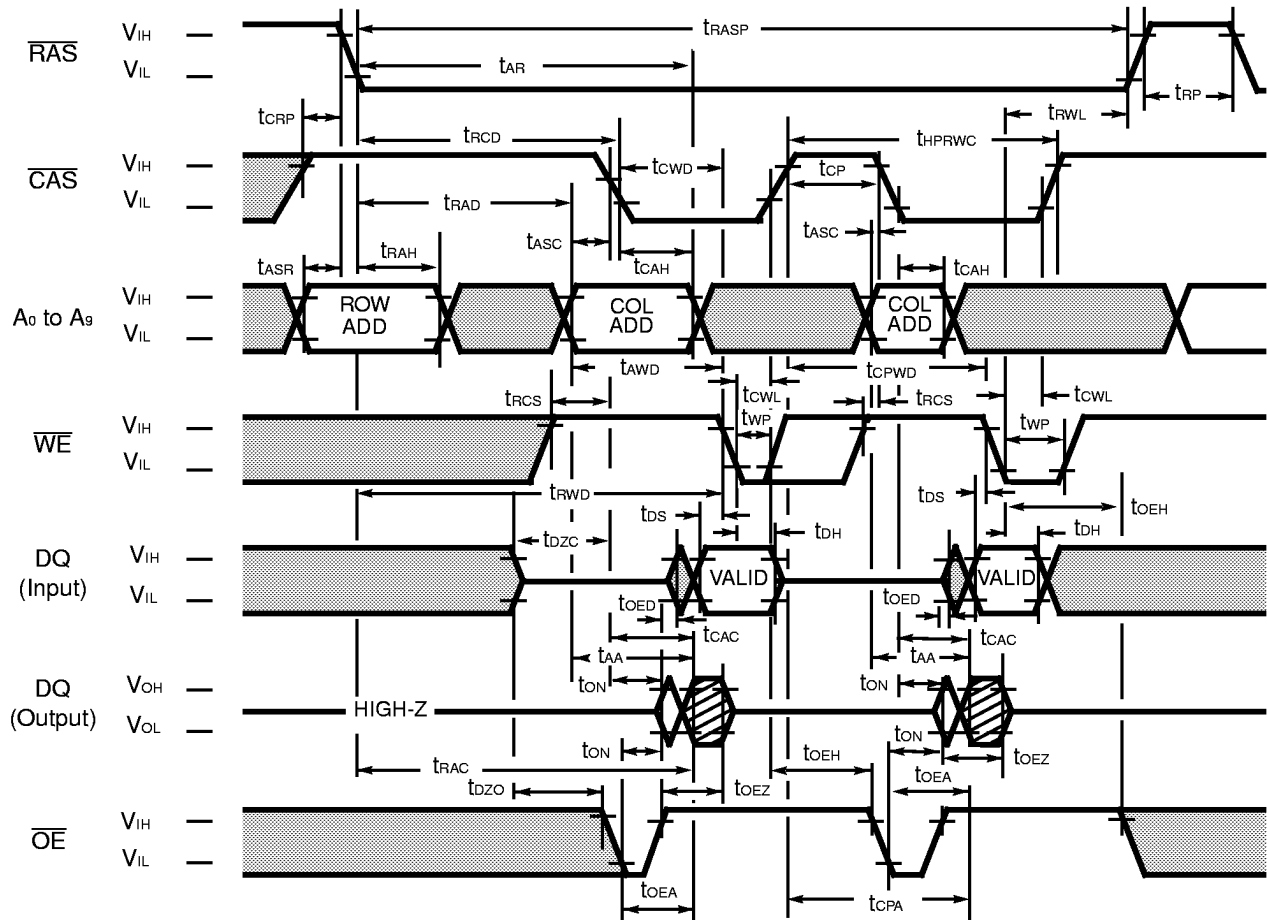
 "H" or "L"
 Valid Data

DESCRIPTION

The hyper page mode performs read/write operations repetitively during one \overline{RAS} cycle. At this time, t_{HPC} (min) is invalid.

MB814405C-60/MB814405C-70

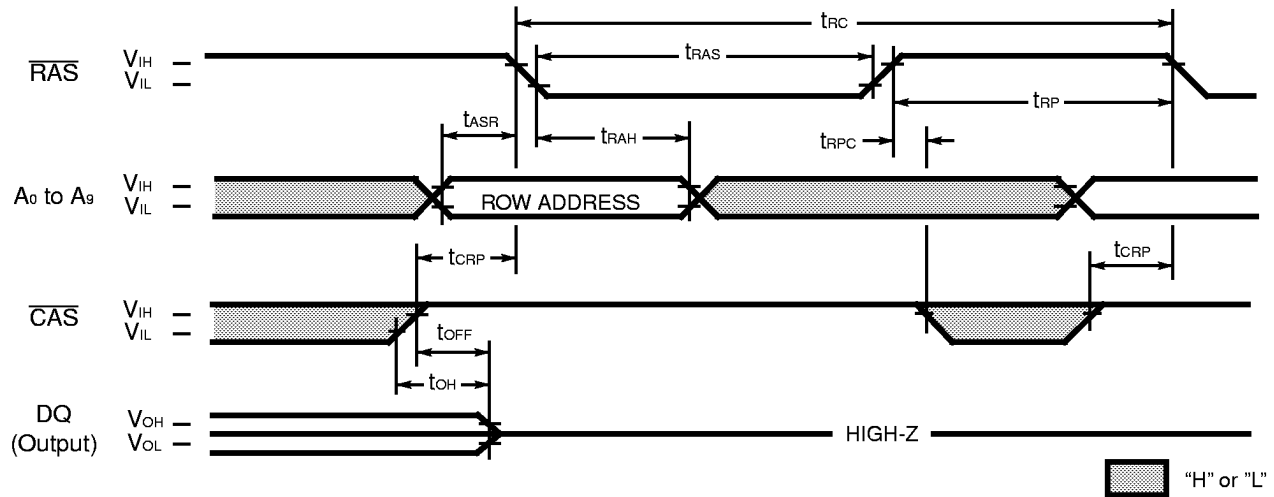
Fig. 15 – HYPER PAGE MODE READ-MODIFY-WRITE CYCLE



DESCRIPTION

During the hyper page mode of operation, the read-modify-write cycle can be executed by switching \overline{WE} from High to Low after input data appears at the DQ pins during a normal cycle.

Fig. 16 – $\overline{\text{RAS}}$ -ONLY REFRESH ($\overline{\text{WE}} = \overline{\text{OE}} = \text{"H"}$ or "L")

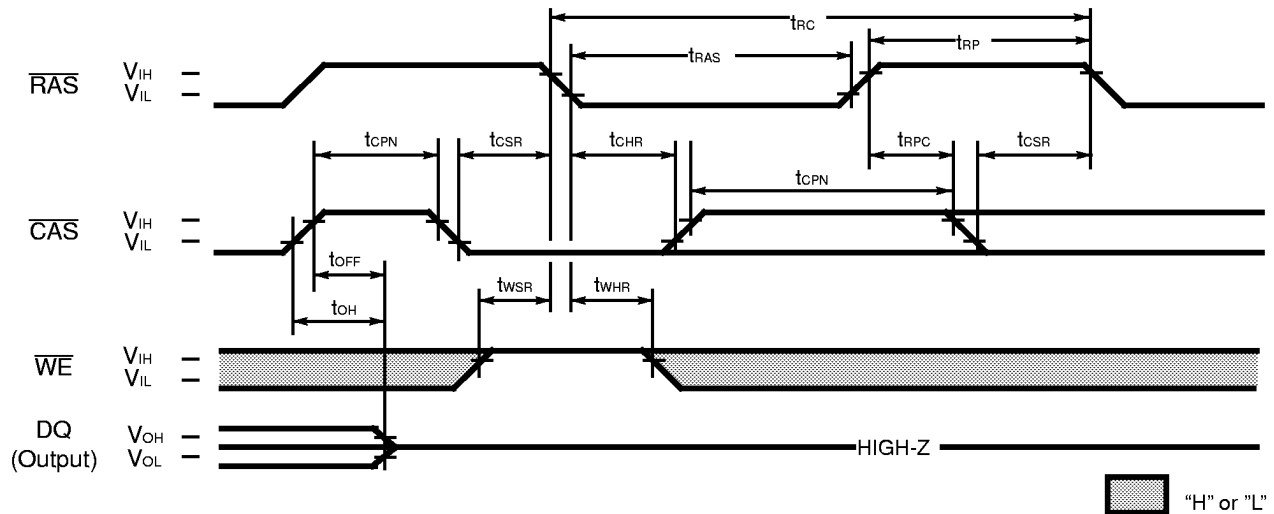


DESCRIPTION

Refresh of RAM memory cells is accomplished by performing a read, a write, or a read-modify-write cycle at each of 1,024 row addresses every 16.4-milliseconds. Three refresh modes are available: $\overline{\text{RAS}}$ -only refresh, $\overline{\text{CAS}}$ -before- $\overline{\text{RAS}}$ refresh, and hidden refresh.

$\overline{\text{RAS}}$ -only refresh is performed by keeping $\overline{\text{RAS}}$ Low and $\overline{\text{CAS}}$ High throughout the cycle; the row address to be refreshed is latched on the falling edge of $\overline{\text{RAS}}$. During $\overline{\text{RAS}}$ -only refresh, DQ pins are kept in a high-impedance state.

Fig. 17 – $\overline{\text{CAS}}$ -BEFORE- $\overline{\text{RAS}}$ REFRESH (ADDRESSES = $\overline{\text{OE}} = \text{"H"}$ or "L")



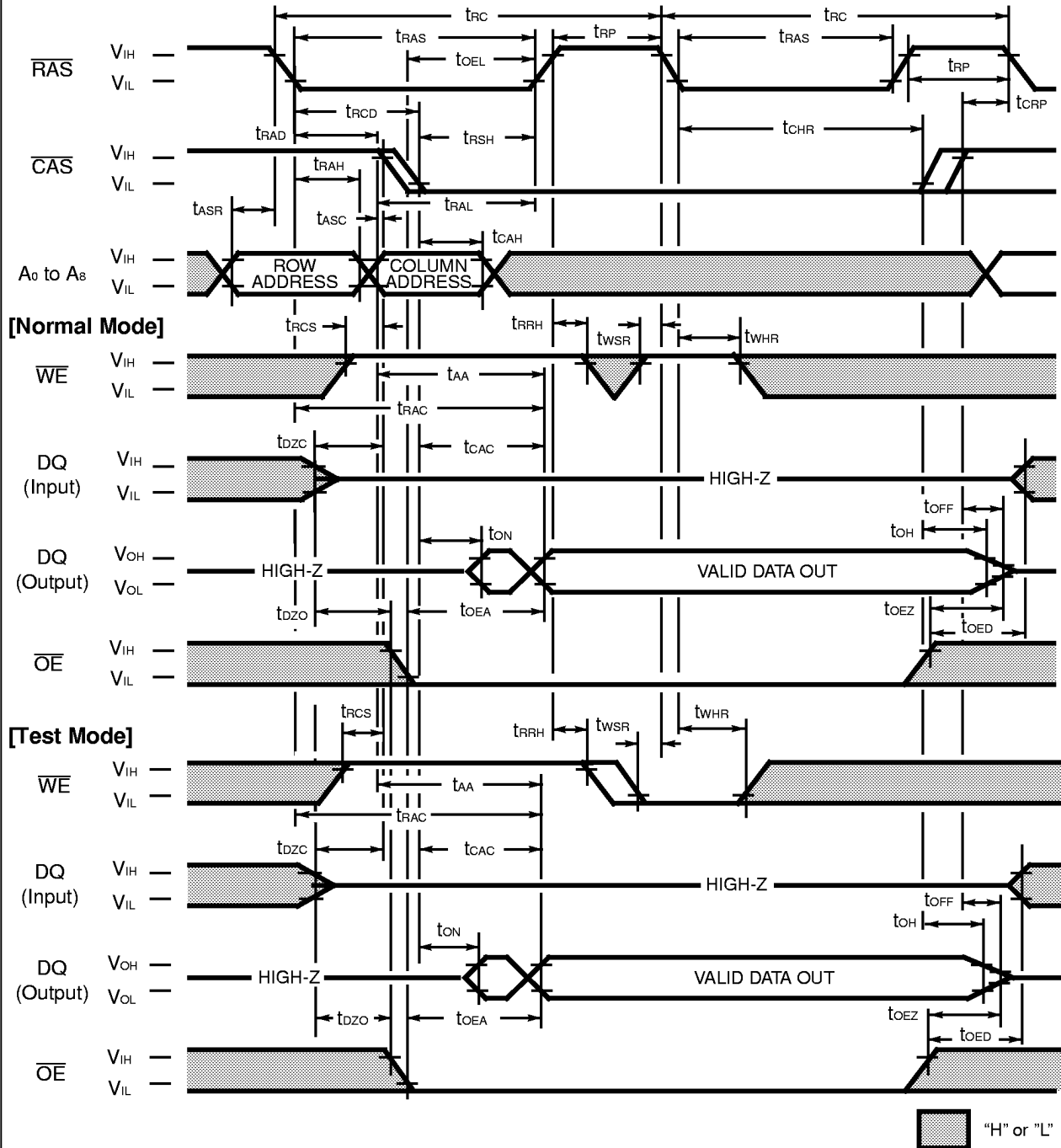
DESCRIPTION

$\overline{\text{CAS}}$ -before- $\overline{\text{RAS}}$ refresh is an on-chip refresh capability that eliminates the need for external refresh addresses. If $\overline{\text{CAS}}$ is held Low for the specified setup time (t_{CSR}) before $\overline{\text{RAS}}$ goes Low, the on-chip refresh control clock generators and refresh address counter are enabled. An internal refresh operation automatically occurs and the refresh address counter is internally incremented in preparation for the next $\overline{\text{CAS}}$ -before- $\overline{\text{RAS}}$ refresh operation.

$\overline{\text{WE}}$ must be held High for the specified set up time (t_{WSR}) before $\overline{\text{RAS}}$ goes Low in order not to enter "Test Mode".

MB814405C-60/MB814405C-70

Fig. 18 – HIDDEN REFRESH CYCLE



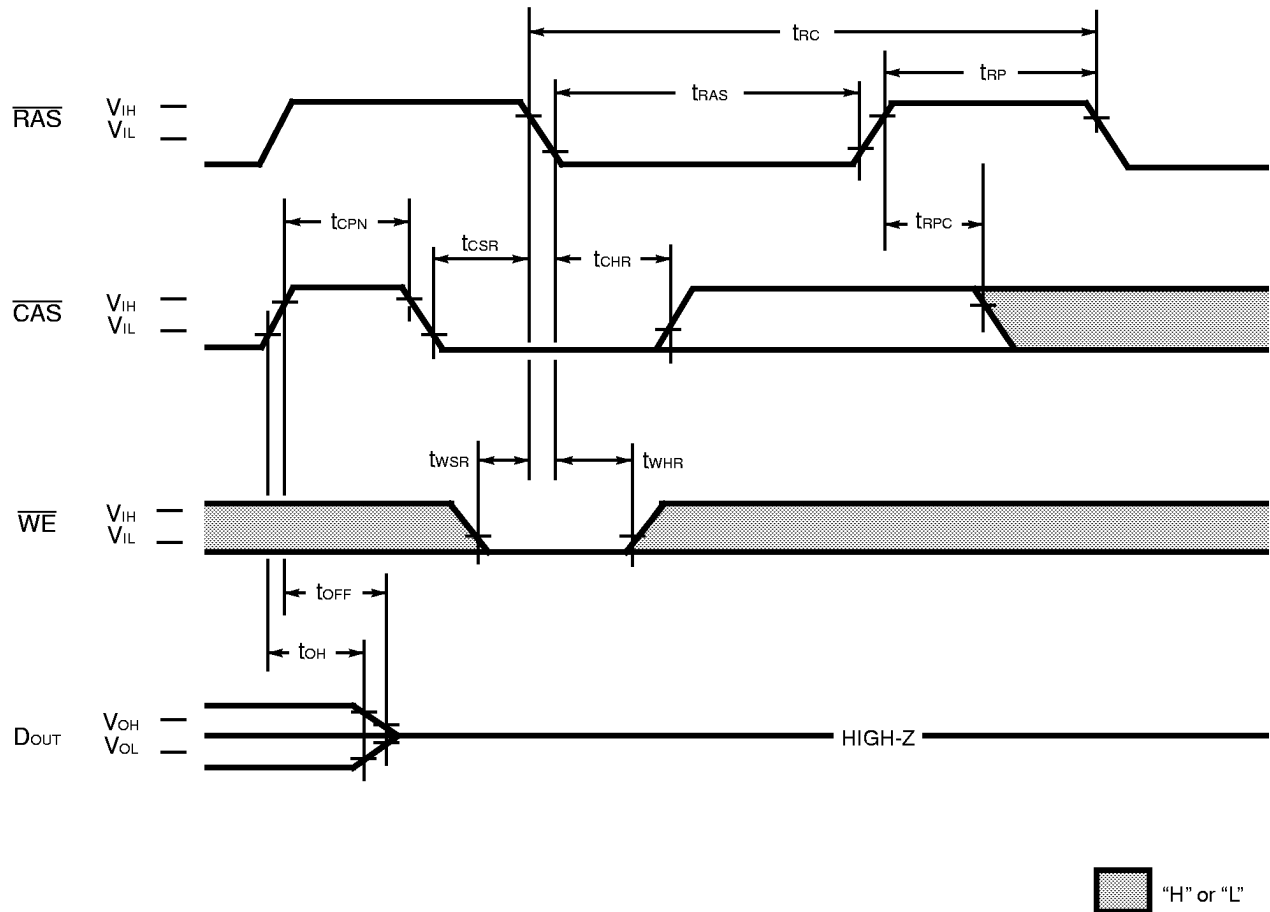
DESCRIPTION

A hidden refresh cycle may be performed while maintaining the latest valid data at the output by extending the active time of $\overline{\text{CAS}}$ and cycling $\overline{\text{RAS}}$. The refresh row address is provided by the on-chip refresh address counter. This eliminates the need for the external row address that is required by DRAMs that do not have $\overline{\text{CAS}}$ -before- $\overline{\text{RAS}}$ refresh capability.

$\overline{\text{WE}}$ must be held High for the specified set up time (t_{WSR}) before $\overline{\text{RAS}}$ goes Low in order not to enter "Test Mode".

MB814405C-60/MB814405C-70

Fig. 19 – TEST MODE SET CYCLE (A_0 to A_9 , \overline{OE} = "H" or "L")



DESCRIPTION

Test Mode;

The purpose of this test mode is to reduce device test time to half of that required to test the device conventionally.

The test mode function is entered by performing a \overline{WE} and \overline{CAS} -before- \overline{RAS} (WCBR) refresh for the entry cycle.

In the test mode, read and write operations are executed in units of eight bits which are selected by the address combination of CA_0 .

In the write mode, data is written into eight cells simultaneously. But the data must be input from all DQ pins. In the read mode, the data of eight cells at the selected addresses are read out from DQ and checked in the following manner.

When the eight bits are all "L" or all "H", a "H" level is output.

When the eight bits show a combination of "L" and "H", a "L" level is output.

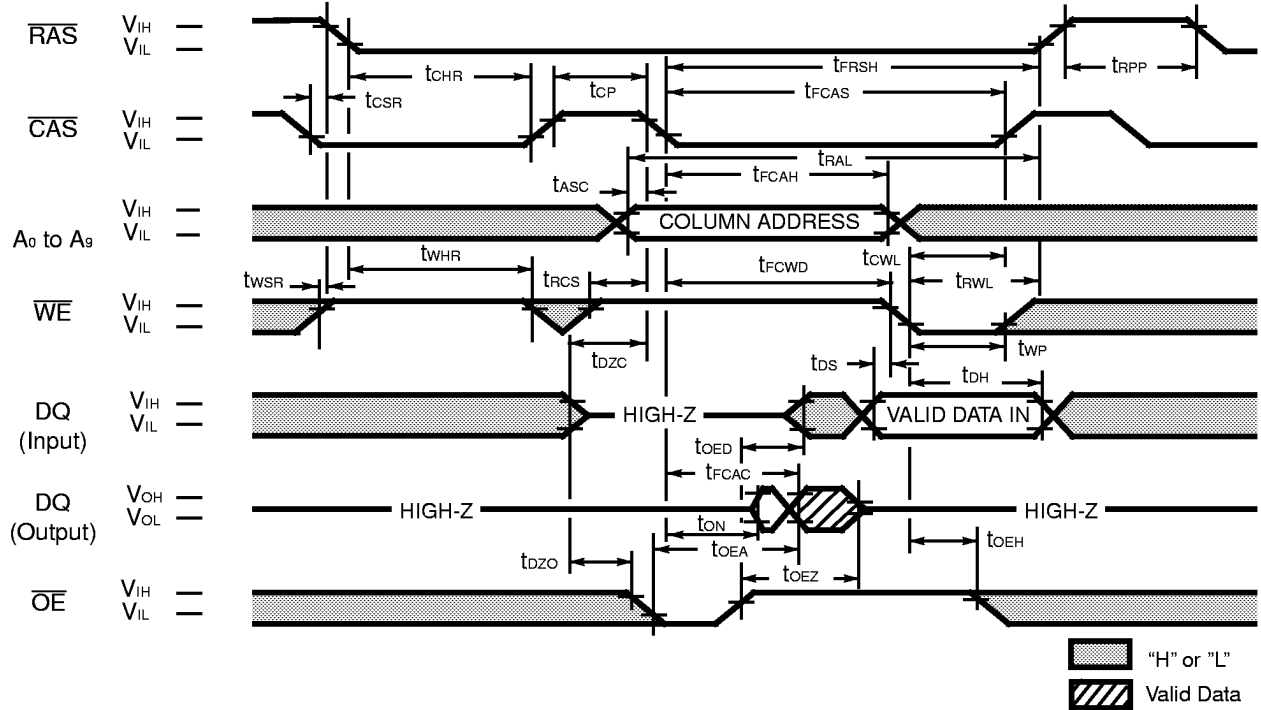
The test mode function is exited by performing a \overline{RAS} -only refresh or a \overline{CAS} -before- \overline{RAS} refresh for the exit cycle.

In test mode operation, the following parameters are delayed approximately 5 ns from the specified value in the data sheet.

t_{RC} , t_{RWC} , t_{RAC} , t_{AA} , t_{RAS} , t_{CSH} , t_{RAL} , t_{RWD} , t_{AWD} , t_{PC} , t_{PRWC} , t_{CPA} , t_{RHCP} , t_{CPWD}

MB814405C-60/MB814405C-70

Fig. 20 – $\overline{\text{CAS}}$ -BEFORE- $\overline{\text{RAS}}$ REFRESH COUNTER TEST CYCLE



DESCRIPTION

A special timing sequence using the $\overline{\text{CAS}}$ -before- $\overline{\text{RAS}}$ refresh counter test cycle provides a convenient method to verify the functionality of $\overline{\text{CAS}}$ -before- $\overline{\text{RAS}}$ refresh circuitry. If, after a $\overline{\text{CAS}}$ -before- $\overline{\text{RAS}}$ refresh cycle, $\overline{\text{CAS}}$ makes a transition from High to Low while $\overline{\text{RAS}}$ is held Low, read and write operations are enabled as shown above. Row and column addresses are defined as follows:

- Row Address: Bits A_0 through A_9 are defined by the on-chip refresh counter.
- Column Address: Bits A_0 through A_9 are defined by latching levels on A_0 - A_9 at the second falling edge of $\overline{\text{CAS}}$.

The $\overline{\text{CAS}}$ -before- $\overline{\text{RAS}}$ Counter Test procedure is as follows ;

- 1) Normalize the internal refresh address counter by using 8 $\overline{\text{RAS}}$ -only refresh cycles.
- 2) Use the same column address throughout the test.
- 3) Write "0" to all 1024 row addresses at the same column address by using normal write cycles.
- 4) Read "0" written in procedure 3) and check; simultaneously write "1" to the same addresses by using $\overline{\text{CAS}}$ -before- $\overline{\text{RAS}}$ refresh counter test (read-modify-write cycles). Repeat this procedure 1024 times with addresses generated by the internal refresh address counter.
- 5) Read and check data written in procedure 4) by using normal read cycle for all 1024 memory locations.
- 6) Reverse test data and repeat procedures 3), 4), and 5).

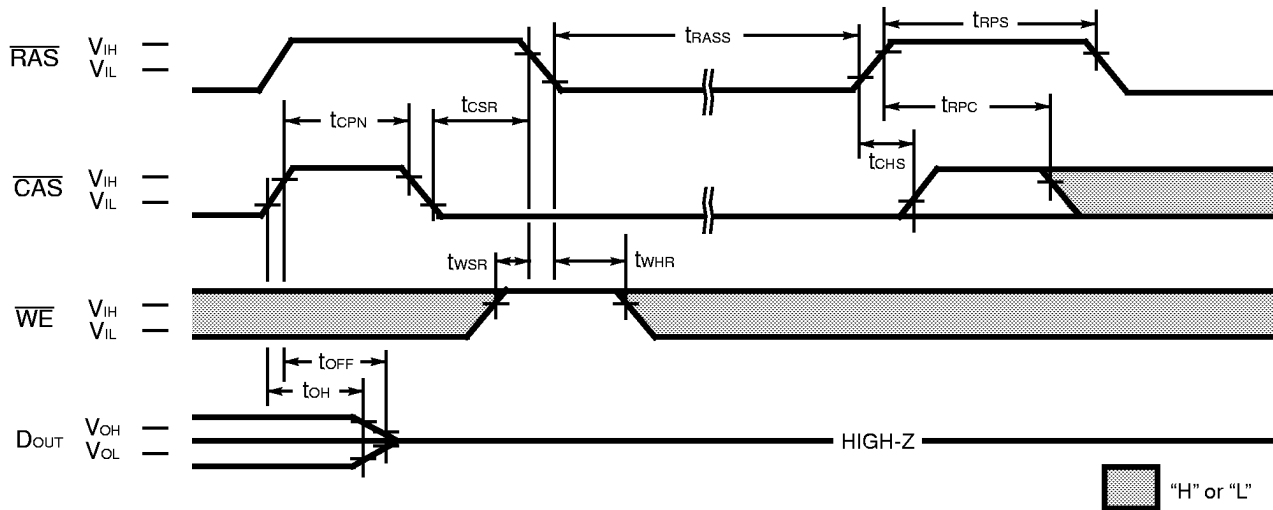
(At recommended operating conditions unless otherwise noted.)

No.	Parameter	Symbol	MB814405C-60		MB814405C-70		Unit
			Min.	Max.	Min.	Max.	
90	Access Time from $\overline{\text{CAS}}$	t_{FCAC}	—	35	—	40	ns
91	Column Adress Hold Time	t_{FCAH}	30	—	30	—	ns
92	$\overline{\text{CAS}}$ to $\overline{\text{WE}}$ Delay Time	t_{FCWD}	55	—	60	—	ns
93	$\overline{\text{CAS}}$ Pulse Width	t_{FCAS}	35	—	40	—	ns
94	$\overline{\text{RAS}}$ Hold Time	t_{FRSH}	35	—	40	—	ns

Note: Assumes that $\overline{\text{CAS}}$ -before- $\overline{\text{RAS}}$ refresh counter test cycle only.

MB814405C-60/MB814405C-70

Fig. 21 – SELF REFRESH CYCLE ($A_0 - A_9 = \overline{OE} = \text{“H” or “L”}$)



(At recommended operating conditions unless otherwise noted.)

No.	Parameter	Symbol	MB814405C-60		MB814405C-70		Unit
			Min.	Max.	Min.	Max.	
100	$\overline{\text{RAS}}$ Pulse Width	t_{RASS}	100	—	100	—	μs
101	$\overline{\text{RAS}}$ Precharge Time	t_{RPS}	104	—	119	—	ns
102	$\overline{\text{CAS}}$ Hold Time	t_{CHS}	-50	—	-50	—	ns

Note: Assumes set refresh cycle only

DESCRIPTION

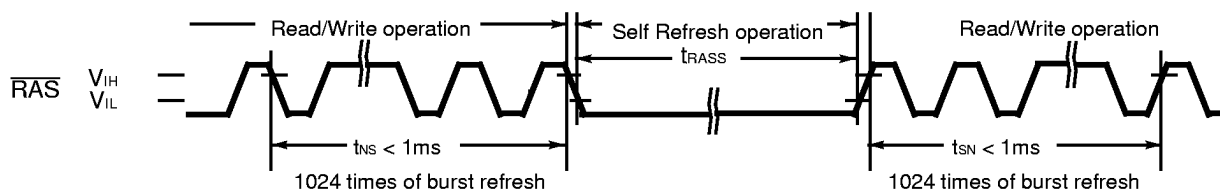
The self refresh cycle provides a refresh operation without external clock and external Address. Self refresh control circuit on chip is operated in the self refresh cycle and refresh operation can be automatically executed using internal refresh address counter. If $\overline{\text{CAS}}$ goes to "L" before $\overline{\text{RAS}}$ goes to "L" (CBR) and the condition of $\overline{\text{CAS}}$ "L" and $\overline{\text{RAS}}$ "L" is kept for term of t_{RASS} (more than 100 μs), the device can be entered the self refresh cycle. And after that, refresh operation is automatically executed per fixed interval using internal refresh address counter during " $\overline{\text{RAS}}=\text{L}$ " and " $\overline{\text{CAS}}=\text{L}$ ".

And exit from self refresh cycle is performed by toggling of $\overline{\text{RAS}}$ and $\overline{\text{CAS}}$ to "H" with specifying t_{CHS} min.

Restriction for Self refresh operation ;

For self refresh operation, the notice below must be considered.

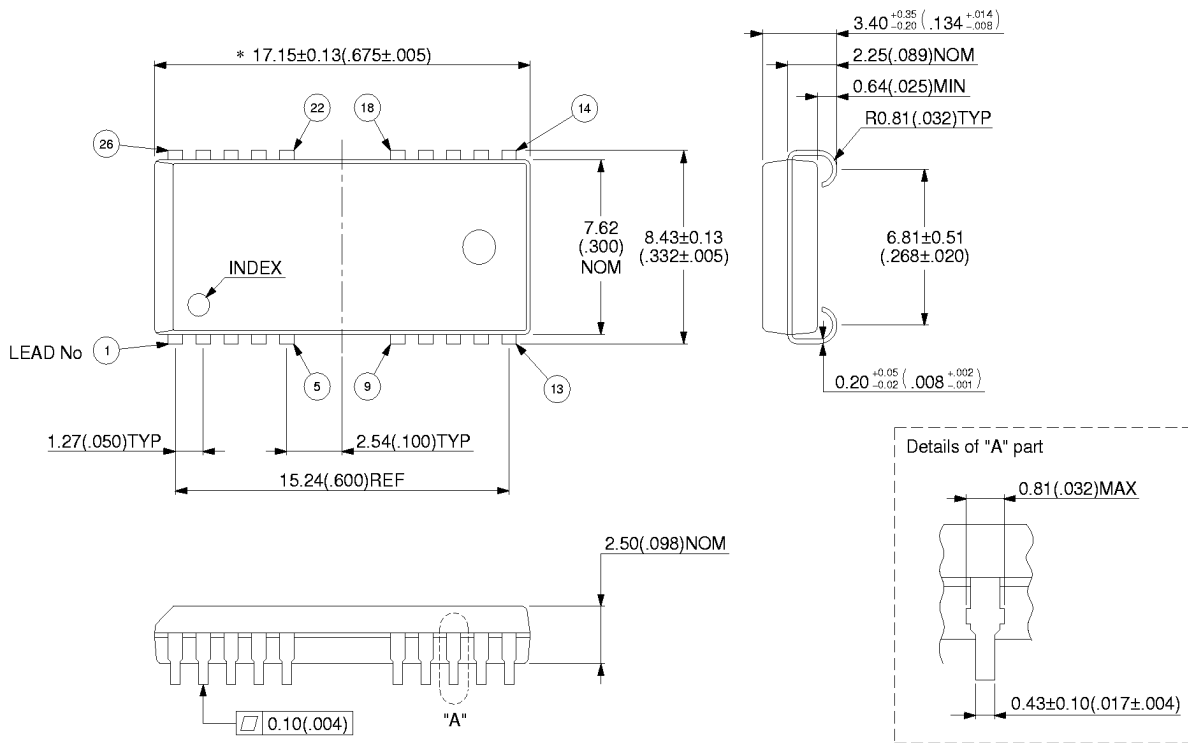
- 1) In the case that distribute CBR refresh are operated in read/write cycles
Self refresh cycles can be executed without special rule if 1024 cycles of distribute CBR refresh are executed within $t_{\text{REF max}}$.
- 2) In the case that burst CBR refresh or $\overline{\text{RAS}}$ -only refresh are operated in read/write cycles
1024 times of burst CBR refresh or 1024 times of burst $\overline{\text{RAS}}$ -only refresh must be executed before and after Self refresh cycles.



MB814405C-60/MB814405C-70

PACKAGE DIMENSIONS

26 pin, Plastic SOJ
(LCC-26P-M04)



- Note:**
1. *: This dimension includes resin protrusion. (Each side: $.006$ (0.15) MAX)
 2. Although this package has 20 leads only, its pin positions are the same as that of 26-lead package.
 3. Dimensions in mm (inches).

© 1995 FUJITSU LIMITED C26054S-3C-1

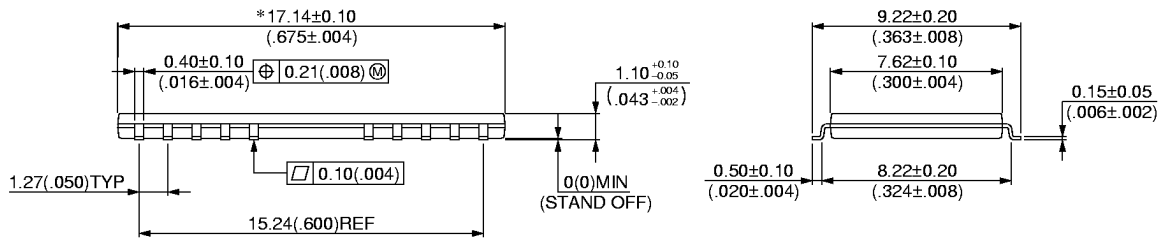
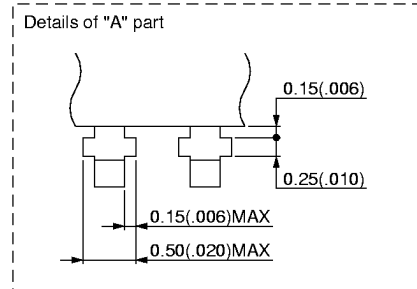
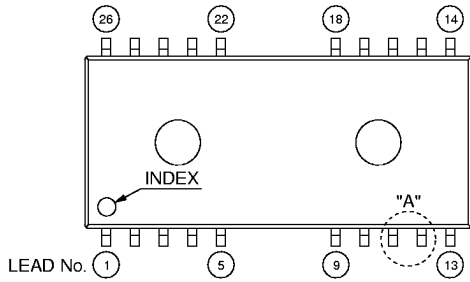
(Continued)

MB814405C-60/MB814405C-70

(Continued)

26 pin, Plastic TSOP(II) (FPT-26P-M01)

*: This dimension includes resin protrusion (Each side : 0.15(.006) MAX).



© 1994 FUJITSU LIMITED F26001S-3C-3

Dimensions in mm (inches).