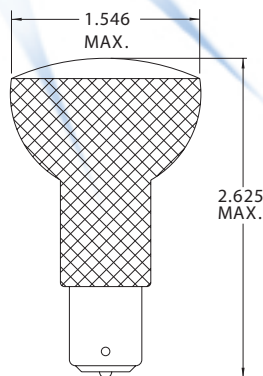
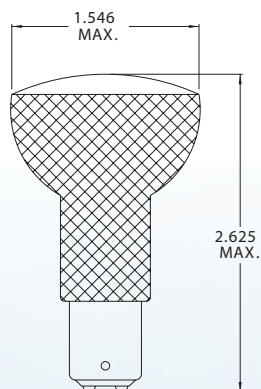


**R-12 Single Contact Bayonet Base**



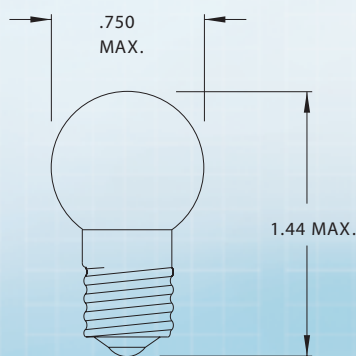
Part Number	Design Voltage	Amps	MSCP	Life Hours	Filament Type
CM1384	6.0	3.30	-	300	C-8
CM1383	13.0	1.50	-	300	C-8
CM1385	28.0	.72	-	300	CC-8
CM1387	28.0	.72	-	300	CC-8

**R-12 Double Contact Bayonet Base**



Part Number	Design Voltage	Amps	MSCP	Life Hours	Filament Type
CM1388	24.0	.83	-	500	CC-8
CM1380	28.0	1.35	-	100	CC-2V
	28.0	1.35	-	100	CC-2V

**G-6 Candelabra Screw Base**



Part Number	Design Voltage	Amps	MSCP	Life Hours	Filament Type
CM81K	6.5	1.02	6.0	500	C-2R
CM63K	7.0	.63	3.0	1,000	C-2R
CM1471	12.0	.26	2.3	250	C-2V
CM89K	13.0	.58	6.0	750	C-2R
CM67K	13.5	.59	4.0	5,000	C-2R
CM529	14.0	.26	2.9	250	C-2V
CM2621	14.0	.27	1.6	500	C-2R
CM71K	22.0	.18	3.0	200	C-2V
CM509K	24.0	.18	2.8	1,000	C-2F
CM1224K	32.0	.16	3.8	200	C-2F