

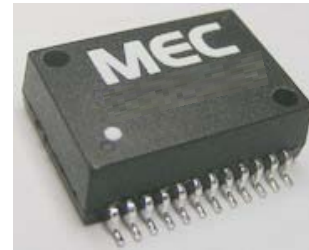
MEC

MINGSTAR ELECTRONIC CORP.

1000 BASE-T SINGLE PORT SURFACE MOUNT MAGNETICS

FEATURES

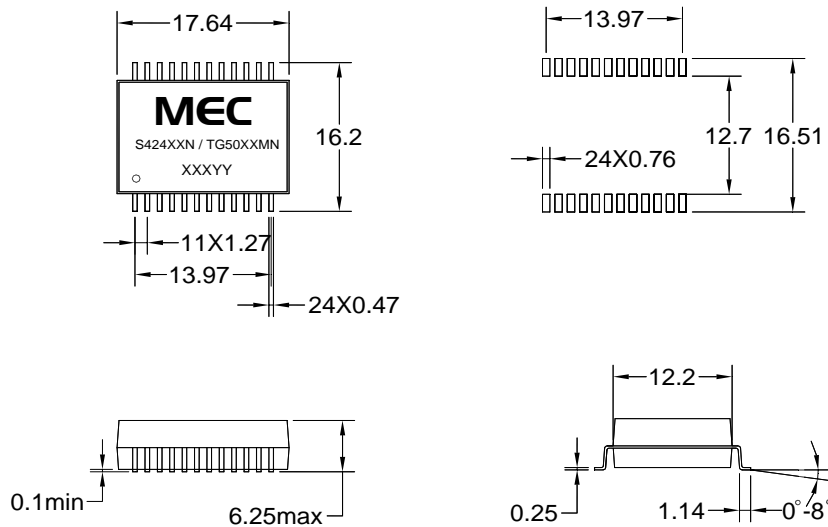
- Compliant with IEEE 802.3ab standards for 1000Base-T
- Including 350 μ H Min OCL with 8mA DC bias
- Withstands reflow soldering temperature up to 255-265°C
- Isolation Voltage : 1500 Vrms



Part Number	Turns Ratio Pri:Sec(\pm 3%)		Insertion Loss (dB MAX) 0.1~100 MHz	Return Loss (dB TYP)			Crosstalk (dB TYP)			Differential to Common Mode Rejection (dB TYP)			Common to common Rejection Ratio (dB TYP) 0.1~100 MHz
	TX	RX		30 MHz	60 MHz	80 MHz	30 MHz	60 MHz	100 MHz	30 MHz	50 MHz	100 MHz	
S42425N	1:1	1:1	-1.1	-18	-14	-12	-40	-38	-32	-43	-37	-33	-30
S42426N	1:1	1:1	-1.1	-18	-14	-12	-40	-38	-32	-43	-37	-33	-30
S42438N	1:1	1:1	-1	-18	-12	-12	-43	-37	-33	-40	-35	-30	-30

- Electrical Specifications @25°C-Operating Temperature 0°C to 70°C.

Mechanicals



Dimensions:mm Unless otherwise specified , all tolerances are \pm 0.25

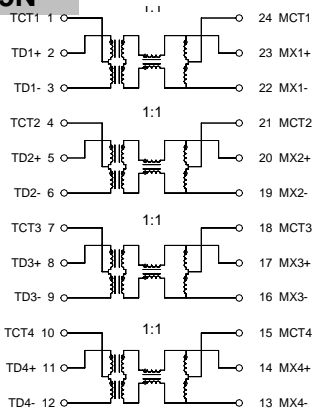
MEC

MINGSTAR ELECTRONIC CORP.

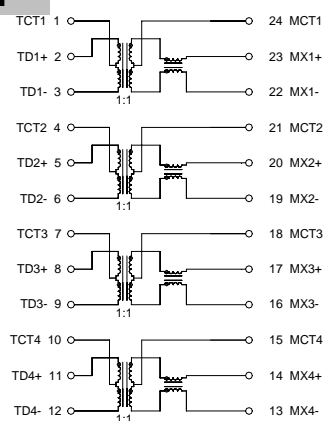
1000 BASE-T SINGLE PORT SURFACE MOUNT MAGNETICS

Schematics

S42425N



S42426N



S42438N

