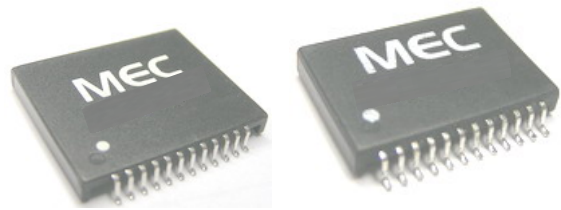


### FEATURES

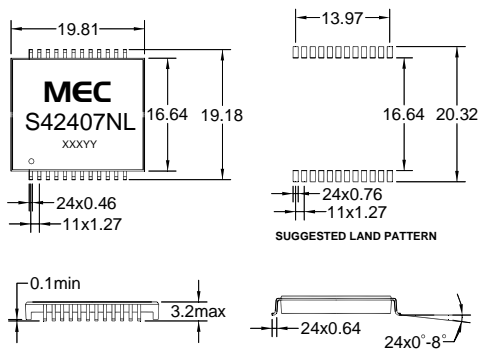
- Compliant with IEEE 802.3ab standards for 1000Base-T
- Including 350  $\mu$  H Min OCL with 8mA DC bias
- Withstands reflow soldering temperature up to 255-265°C
- Isolation Voltage : 1500 Vrms



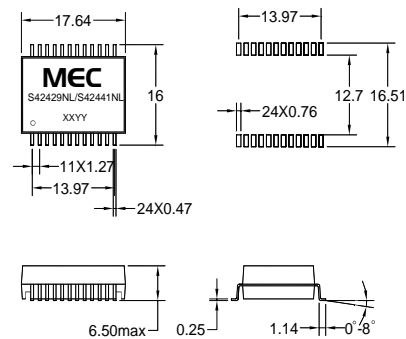
Part Number	Turns Ratio Pri:Sec( $\pm$ 3%)		Insertion Loss (dB MAX)	Return Loss (dB TYP)			Crosstalk (dB TYP)			Differential to Common Mode Rejection (dB TYP)			Common to common Rejection Ratio (dB TYP)
	TX	RX		0.1~100 MHz	30 MHz	60 MHz	80 MHz	30 MHz	60 MHz	100 MHz	30 MHz	50 MHz	
S42407NL	1:1	1:1	-1.0	-18	-14	-13	-45	-40	-35	-45	-40	-40	-30
S42415NL	1:1	1:1	-1.0	-16	-12	-10	-45	-40	-35	-40	-33	-30	-30
S42417NL	1:1	1:1	-1.0	-18	-13.1	-12	-45	-40	-35	-43	-37	-33	-30
S42423NL	1:1	1:1	-1.0	-18	-14	-12	-45	-40	-35	-43	-37	-33	-30
S42424NL	1:1	1:1	-1.0	-18	-14	-12	-45	-40	-35	-43	-37	-33	-30
S42429NL	1:1	1:1	-1.1	-18	-14	-12	-40	-38	-35	-43	-37	-33	-30
S42433NL	1:1	1:1	-1.0	-18	-14	-12	-40	-38	-35	-43	-37	-33	-30
S42439NL	1:1	1:1	-1.1	-18	-14	-12	-45	-40	-38	-40	-38	-35	-40
S42440NL	1:1	1:1	-1.0	-23	-14	-16	-45	-40	-35	-43	-37	-33	-30
S42441NL	1:1	1:1	-1.1	-16	-14	-12	-40	-35	-30	-40	-35	-30	-35

● Electrical Specifications @25°C-Operating Temperature 0°C to 70°C.

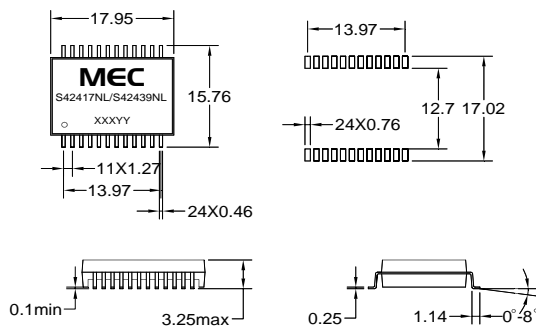
### Mechanicals



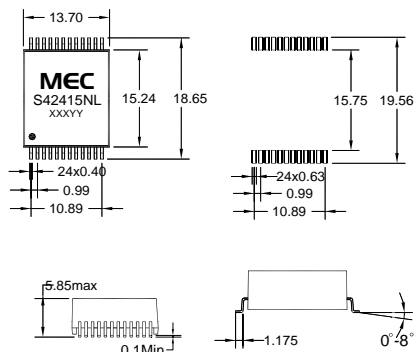
Dimensions:mm Unless otherwise specified, all tolerances are  $\pm$  0.25



Dimensions:mm Unless otherwise specified, all tolerances are  $\pm$  0.25



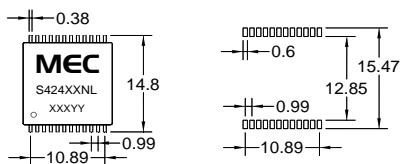
Dimensions:mm Unless otherwise specified, all tolerances are  $\pm$  0.25



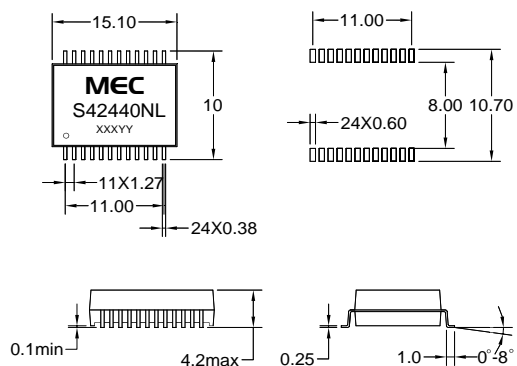
Dimensions:mm Unless otherwise specified, all tolerances are  $\pm$  0.25

### Mechanicals

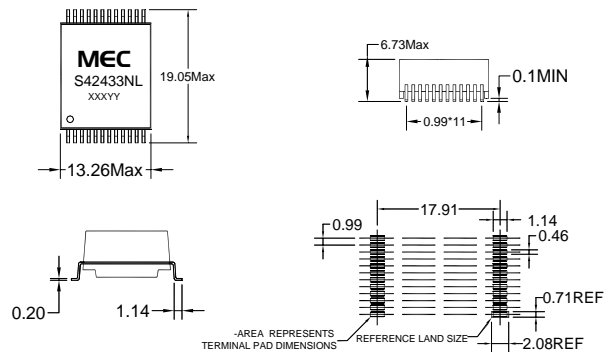
#### S42423NL / S42424NL



Dimensions:mm Unless otherwise specified , all tolerances are  $\pm 0.25$

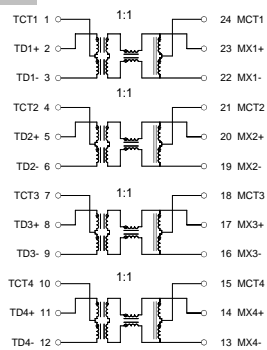


Dimensions:mm Unless otherwise specified , all tolerances are  $\pm 0.25$

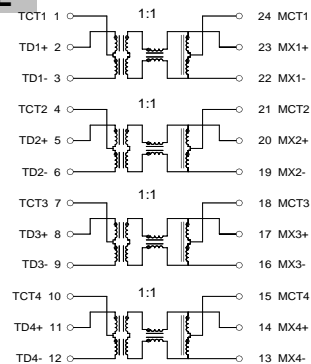


### Schematics

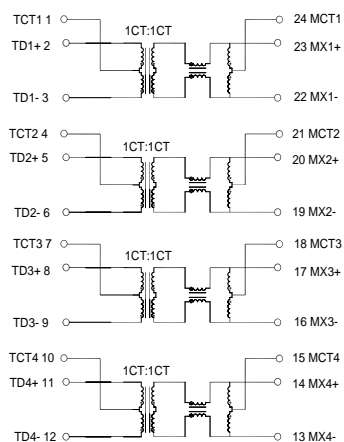
#### S42407NL



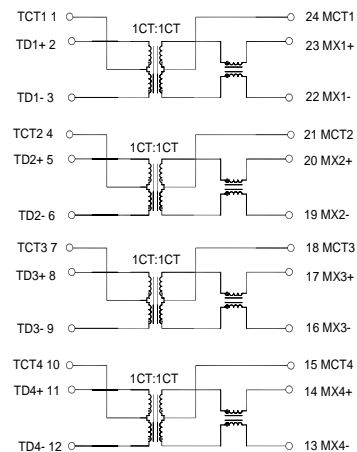
#### S42415NL



#### S42417NL

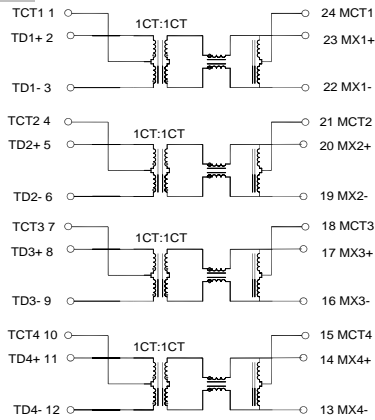


#### S42423NL

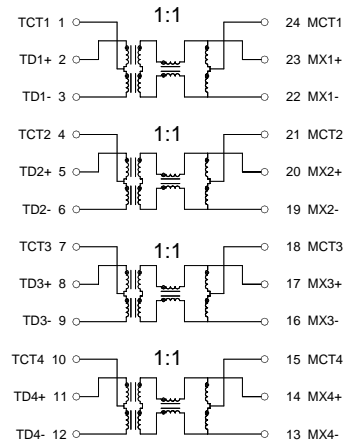


### Schematics

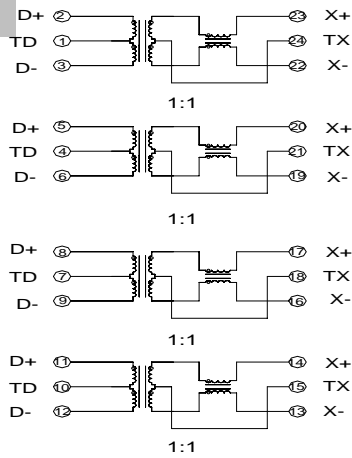
#### S42424NL



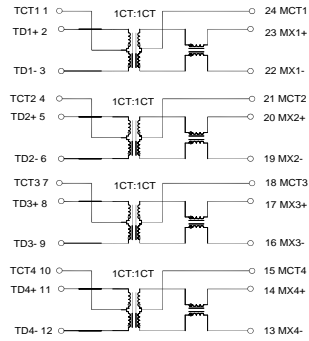
#### S42429NL



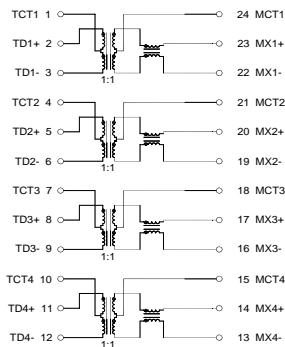
#### S42433NL



#### S42439NL



#### S42440NL



#### S42441NL

