

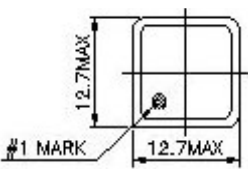
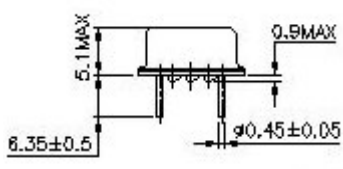
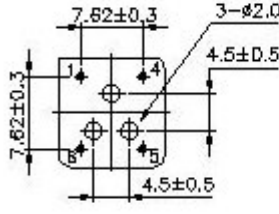
TTL/HCMOS CRYSTAL OSCILLATORS

MCO-1500A / MCO-1500B (HALF SIZE)

■ SPECIFICATIONS

Model	MCO-1500A		MCO-1500B	
Package	8Pin Dip(Half Size)		8Pin Dip(Half Size)	
Frequency Range (Fo)	1.000MHz to 100.000MHz		1.000MHz to 70.000MHz	
Frequency Stability (f/fo)	A=±25ppm,B=±50ppm,C=±100ppm			
Operating Temperature Range (TOPR)	0°C to 70°C,-40°C to 85°C(Available)			
Storage Temp. Range (TOPR)	-55°C to 125°C			
Power Supply Voltage (Vdd)	5Vdc±0.5Vdc		3.3Vdc±0.3Vdc	
Aging (at25°C)	±5ppm/year Max.			
Supply Current (Idd)	1.000MHz to 23.999MHz 20mA Max. 24.000MHz to 50.000MHz 30mA Max. 50.000MHz to 70.000MHz 40mA Max. 70.000MHz to 100.000MHz 60mA Max.		1.000MHz to 23.999MHz 10mA Max. 24.000MHz to 50.000MHz 20mA Max.	
Output Symmetry (At50% Vdd)	40 to 60%Normal,45 to 55%Tight			
Rise and Fall Time(Tr,Tf) 10% to 90% of Waveform W/Hcmos Load	±5ns Max.			
Output Voltage Logic High (Voh)	4.5V min		2.7Vdc minimum	
Output Voltage Logic Low (Vol)	0.5Vdc max		0.4Vdc max	
Output Load	1.000MHz to 40.000MHz	10TTL Load or 50pF HCMOS Load	1.000MHz to 24.000MHz	2TTL Load or 15pF HCMOS Load Max
	40.000MHz to 100.000MHz	10TTL Load or 15pF HCMOS Load	24.000MHz to 70.000MHz	15pF HCMOS Load Max
pin 1			No Connection	No Connection to Enables Output
Tri-State Tri			Vih	2.2V dc Minimum to Enable Output
Input Voltage			Vih	0.8Vdc Max.to disable Out@ut

■ DIMENSIONS

			PIN CONNECTION 1 N.C or EN/DIS(Tri-State) 4 GND 5 OUTPUT 8 Vcc
www.DataSheet4U.com			