

L525/PD010-35D52

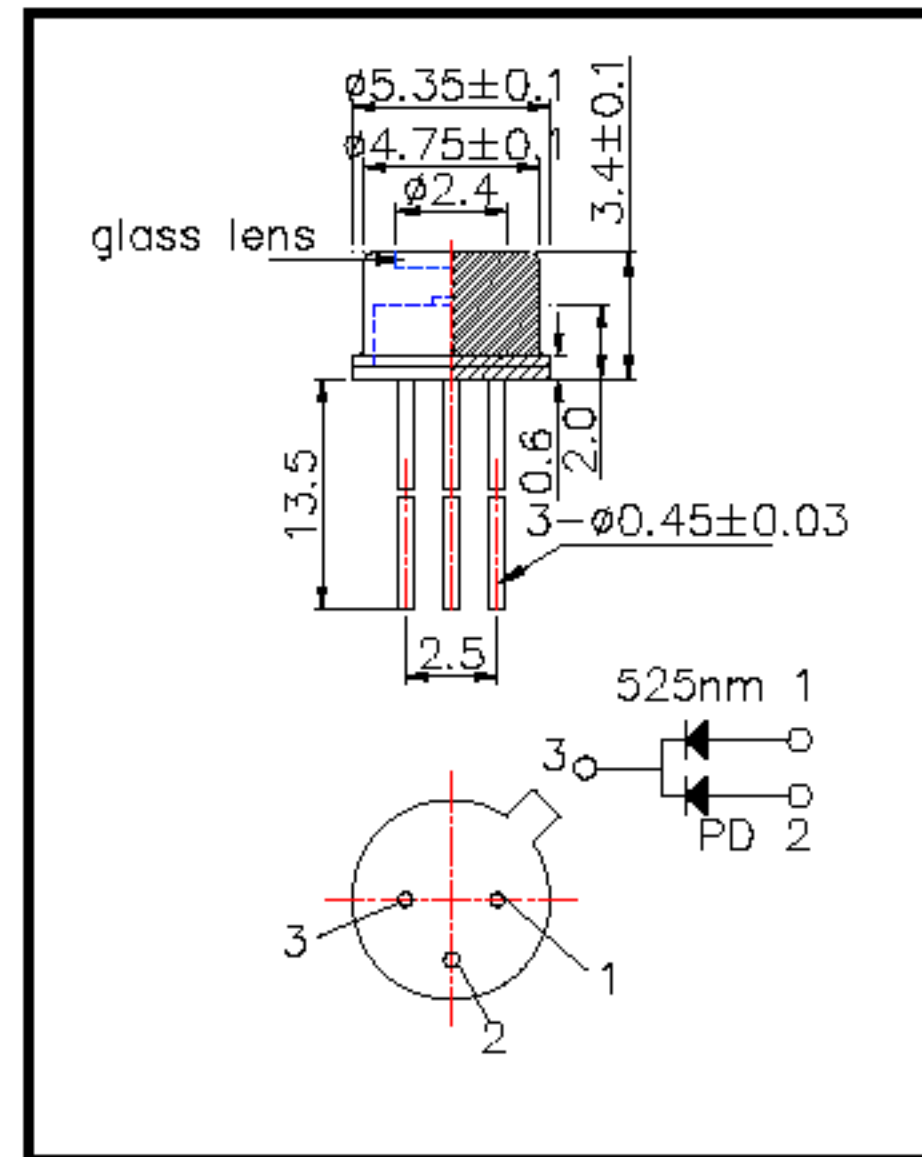
Metal can sealed PD monitoring high power LED

L525/PD010-35D52 consists of a InGaN LED 525nm and a Si-PD mounted on TO-18 stem hermetically sealed with a glass flat can, and is designed to monitor reflected light through detector for controlling its own output power

◆ Specifications

- 1) Product Name LED Lamp with PD Monitor
- 2) Type No. L525/PD010-35D52
- 3) Chip
 - (1) Chip material InGaN and Si(PIN)
 - (2) Peak wavelength 525nm
- 4) Package
 - (1) Stem Φ 5mm TO-18
 - (2) Lens Metal Can (Gold Plate)

◆ Outer dimension (Unit: mm)



◆ Absolute Maximum Ratings [Ta=25°C]

Device	Item	Symbol	Maximum Rated	Unit
LED	Power Dissipation	PD	120	mW
LED	Forward Current	IF	30	mA
LED	Pulse Forward Current	IFP	-	A
LED	Reverse Voltage	VR	5	V
PD	Reverse Voltage	VR	100	V
	Operating Temperature	TOPR	-20 ~ +85	°C
	Storage Temperature	TSTG	-30 ~ +95	°C
	Soldering Temperature	TSOL	260	°C

‡Soldering condition: Soldering condition must be completed within 3 seconds at 250°C

◆ Electro-Optical Characteristics [Ta=25°C]

Item	Symbol	Condition	Minimum	Typical	Maximum	Unit
Forward Voltage	VF	IF=20mA		3.5	4.3	V
Reverse Current	IR	VR=5V			10	uA
Total Radiated Power	PO	IF=20mA		2.0		mW
Radiant Intensity	IE	IF=20mA		-		mW/sr
Peak Wavelength	λ_P	IF=20mA	515	525	535	nm
Half Width	$\Delta\lambda$	IF=20mA		40		nm
Viewing Half Angle	$\theta_{1/2}$	IF=20mA		± 55		deg.
Rise Time	tr	IF=20mA		-		ns
Fall Time	tf	IF=20mA		-		ns
Output Current	IL	VR=0V		55		uA
Dark Current	ID	VR=10V			10	nA

‡Total Radiated Power is measured by Photodyne #500

MUEVO-Vertrieb

Joseph-Mäurer-Straße 18 • 51688 Wipperfürth • Germany
 +49 (0)2267 828 339 • Fax +49 (0)2267 829 175
 sales@muevo-technics.com