

## AC Fans and Blowers

### PM240-24D-1751B-2TP

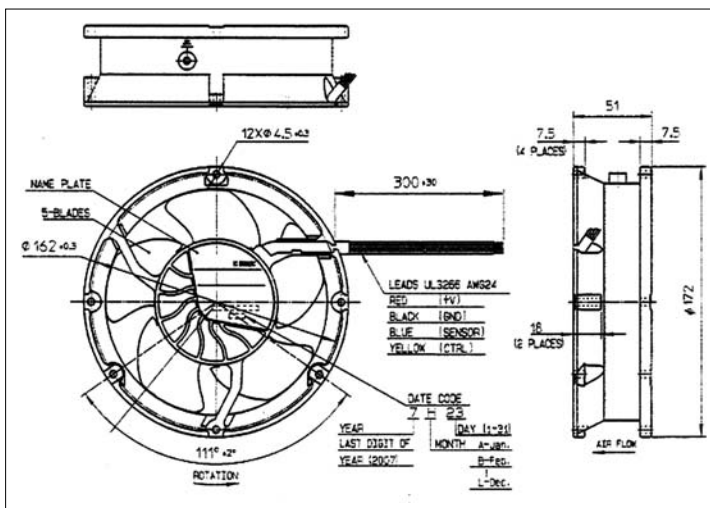
#### Features

Size:	172 x 150 x 51 mm
Airflow:	251 CFM
Weight:	0.8 kg
Noise:	57.5 dBA (avg.)
Impeller:	Reinforced Plastic (94V-0)
Frame:	Aluminum Alloy
Bearings:	Sealed Ball

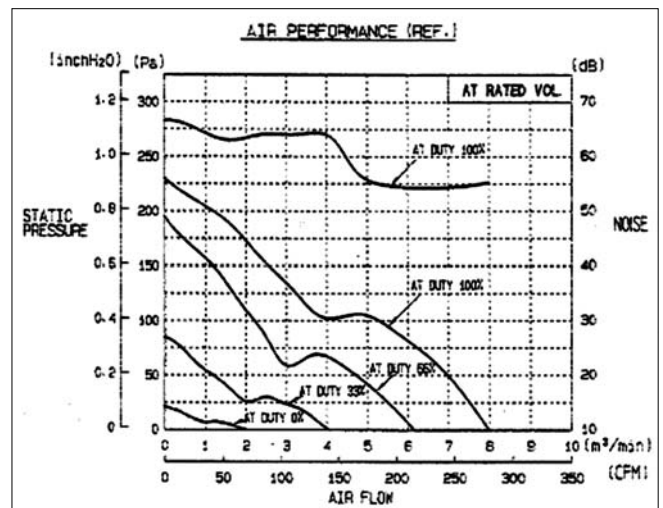


 UL E101153  CUL E101153

#### Dimensions – inches mm



#### Air Flow vs Air Pressure



#### Performance

Type	Rated Voltage (V)	Operating Frequency (Hz)	Input Power (W) (@ 60 Hz)	Max Air Flow (CFM)	Max Air Pressure (In H <sub>2</sub> O)	Noise* (dBA)	Operating Temperature (°C)	Life Expectancy (Hr) (@ 40°C)
PM240-24D-1751B-2TP	24	50/60	19.0	251	0.88	57.5	-20~ +70	80,000

\*Measured 1 m from intake

Product specifications contained herein may be changed without prior notice.

It is therefore advisable to contact Purdy Electronics before proceeding with the design of equipment incorporating this product.