



TECHNICAL DATA SHEET

G a A s P PHOTODIODES

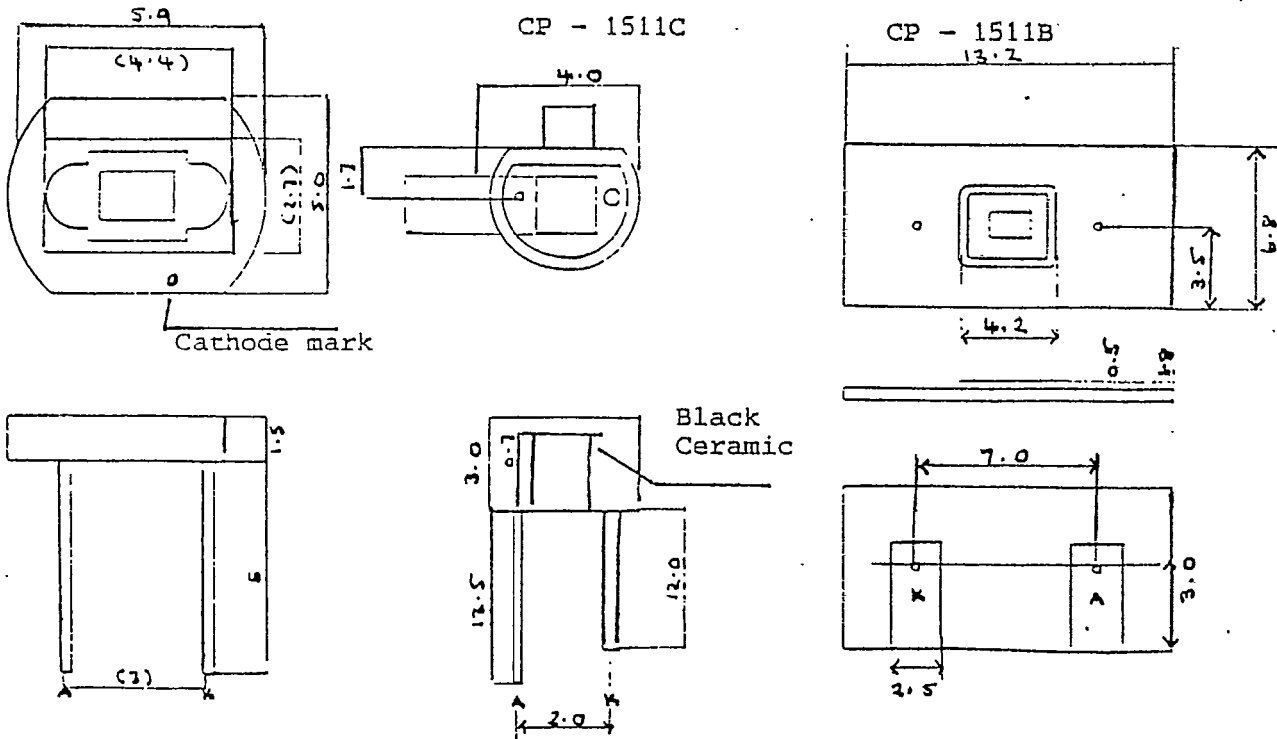
CENTRONIC CP-Series photodiodes are GaAsP photodetectors featuring low dark current and a spectral response which approaches Zero at 700 nm.

Since the spectral response is photopic, light measurements can be performed without compensating filters.

FEATURES

- Low Dark Current
- Superior Response in the Visible Range
- Good Linearity

DIMENSIONS



Unit : mm

- A : Anode
- K : Cathode

ITEMS	SYMBOL	CONDITIONS	CP - 1812 MIN. TYP. MAX.	CP - 1511C MIN. TYP. MAX.	CP - 1511B MIN. TYP. MAX.	UNITS
Short Circuit Current	ISC	2856K 100LUX	100 130	60 90	60 90	nA
Open Circuit Voltage	VOC	2856K VR = IV RH=65%	850	850	850	mV
Dark Current	ID	100LUX RL = 100K	250	2	2	pA
Response Time	TR TF	2856K 100LUX	250	250	250	us
Temp Coefficient of ISC			0.3	0.3	0.3	%/°C
Temp Coefficient of ID			2.5	2.5	2.5	TIME/ 10°C
Reverse Voltage	VR			10		V
Operating Voltage	TOPR			-20 + 60		°C
Storage Temperature	TSTG			-20 + 80		°C

