

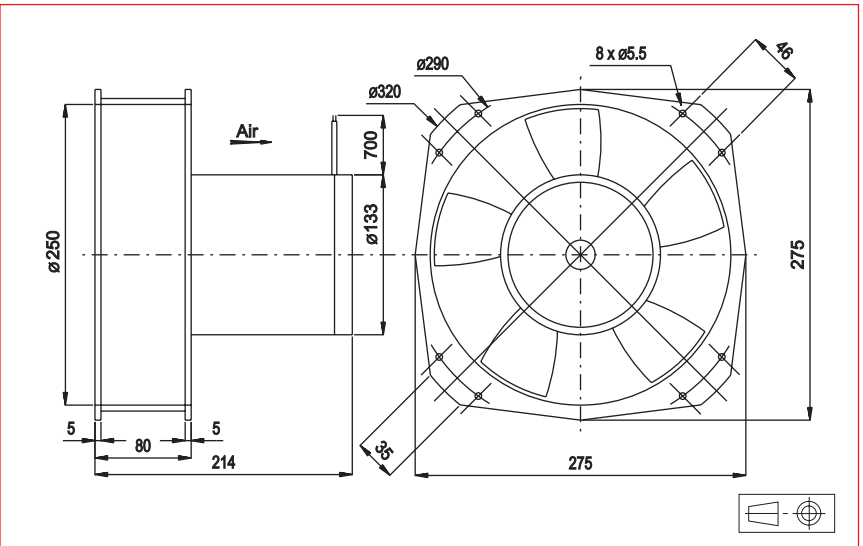
400Hz Fans



Approvals

Life expectancy

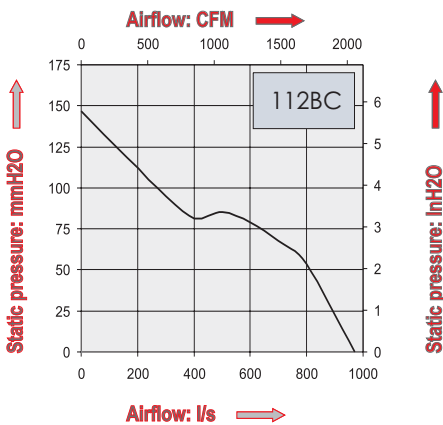
L-10 LIFE AT 40°C:
25 000 hours



400 Hz Motor

Housing material: aluminium
Impeller material: aluminium
Weight: 9,5 kg
Bearing system: ball bearings

Connection: flying leads



Part Number	Nominal voltage	Airflow	Noise level	Nominal speed	Phases	Capacitor (not included)	Input power	Nominal Current	Starting Current	Operating temperature	
	V	l/s	dB(A)	RPM		µF	W	mA	mA	Min.°C	Max.°C
112BC0162C13	115	970	85	5500	3		1250	7250	24000	-10	70
112BC0160C13	200	970	85	5500	3		1250	4200	14000	-10	70

Additional versions:
Salt spray protected - Shock and vibration protected - Marine specifications
Wide temperature range

Accessories:
Refer to Accessories leaflet