

Hall IC Fan Motor Driver

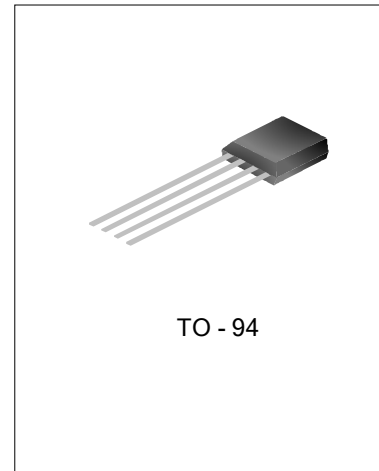
DESCRIPTION

SD1579 is a one-chip, two phase Hall IC fan driver use the advanced BICDMOS process. Power output stage using LDMOS transistors, with low R_{dson} , low power dissipation and capable of withstanding high output drive current.

The driver of the motor circuit built-in Locked-rotor protection circuit, with automatic restart function. Built-in voltage regulator circuit for the Hall sensor and amplifier circuit to provide internal power supply;

The dynamic compensation circuit capable of providing good consistency and very small magnetic shift of the window over the whole temperature range,.

Built-in Zener output as the output protection management and in the supply-side built-in reverse protection diodes, which can effectively prevent damage when the power supply circuit is reverse.



FEATURES

- * Built-in lock protection circuit;
- * Built-in Auto restart circuit;
- * Built-in Hall sensor with high stability of the dynamic compensation circuit;
- * Built-in Hall amplifier with hysteresis;
- * Built-in Zener Diodes protect outputs circuit;
- * Built-in Voltage Regulator circuit.
- * Built-in Reverse-voltage protection diode
- * Hall magnetic window, consistency and temperature stability;
- * Wide operating voltage range, small quiescent current;
- * Low R_{dson} , high drive current capability;

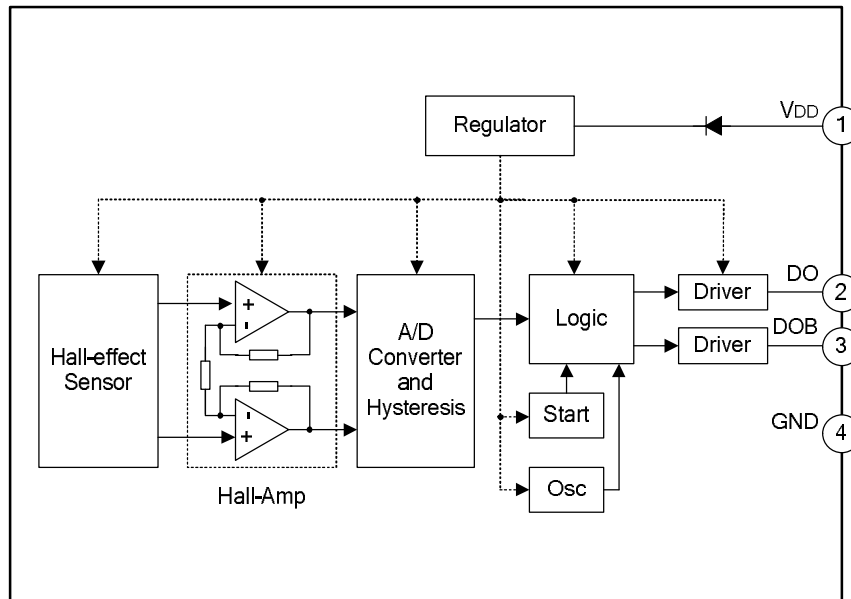
APPLICATIONS

- * Dual coils brush-less DC fan;
- * Dual coils brush-less DC motor.

ORDERING INFORMATION

Part No.	Package	Marking	Material	Package Type
SD1579	TO-94	1579	Pb free	Bulk

BLOCK DIAGRAM



ABSOLUTE MAXIMUM RATINGS

Characteristics	Symbol	Ratings	Unit
Vcc Maximum Supply Voltage	VCC max	30	V
Maximum Output Current (Fault)	I _{out(AVE)}	500	mA
	I _{out(PEAK)}	700	mA
Power Dissipation	P _d	550	mW
Operating Temperature Range	T _{amb}	-40 ~ 125	°C
Storage Temperature Range	T _{stg}	-55 ~ 150	°C
Maximum Junction Temperature	T _j	150	°C

Exceeding the absolute maximum ratings may cause permanent damage. Exposure to absolute-maximum-rated conditions for extended periods may affect device reliability.

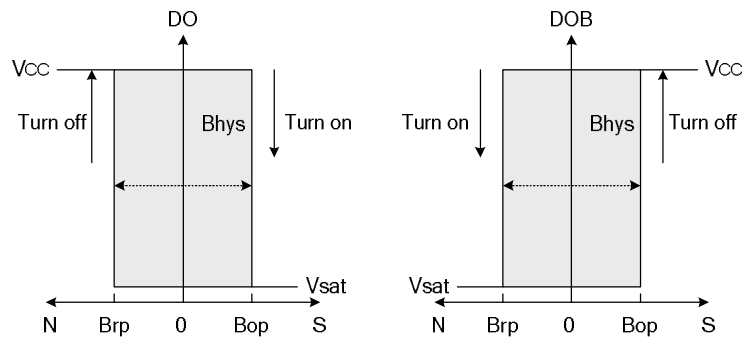
ELECTRICAL CHARACTERISTICS (Unless specified particularly T_{amb}=25°C, V_{CC}=12V)

Characteristics	Symbol	Test Conditions	Min.	Typ.	Max.	Unit
Supply Voltage	V _{CC}	Operating	~	12	28*	V
Supply Current	I _{CC}	Operating	~	2.0	4.0	mA
Output Saturation voltage	V _{DSS}	I _{out} =300 mA	~	210	300	mV
Output Saturation voltage	V _{DSS}	I _{out} =500 mA	~	350	500	mV
Thermal Resistance	R _{th}	Operating		227		°C/W
Locked-Rotor Period	t _{on}			0.5		S
Locked-Rotor Period	t _{off}			3		S
Output Zener-breakdown Voltage	V _Z		35	42	60	V

*Note: Please used in power dissipation limitation for all coil with different efficiency.

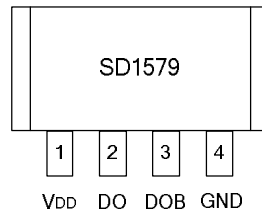
MAGNETIC CHARACTERISTICS (Unless specified particularly $T_{amb}=25^{\circ}C$, $V_{CC}=12V$, $1mT=10Gauss$)

Characteristics	Symbol	Test Conditions	Min.	Typ.	Max.	Unit
Operate Point	Bop	Operating	10	30	60	GS
Release Point	BRP	Operating	-60	-30	-10	GS
Hysteresis	BHYS	Operating	~	60	~	GS



When flux B is over operation point Bop, DO is on and output low voltage, DOB is off and output high voltage. Every output is locking until the flux B is less than release point Brp, then DO and DOB switch the states.

PIN CONFIGURATION

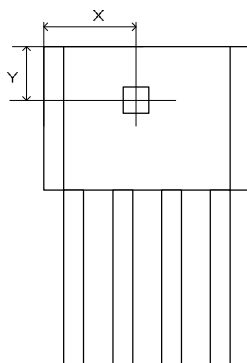


PIN DESCRIPTION

www.DataSheet4U.com

Pin No.	Pin Name	I/O	Description
1	VDD	--	Power supply
2	DO	O	Driver Output pin
3	DOB	O	Driver Output pin
4	GND	--	Ground

HALL SENSOR LOCATION



	Value	Unit
X	2.3	mm
Y	1.09	mm

FUNCTION DESCRIPTION

This IC detects the rotation of the motor by hall signal, and adjusts lock detection ON time (T_{ON}) =0.5S and lock detection OFF time (T_{OFF})=3.0S by internal counter. The time (T_{NO} , T_{OFF}) sequence is shown below.

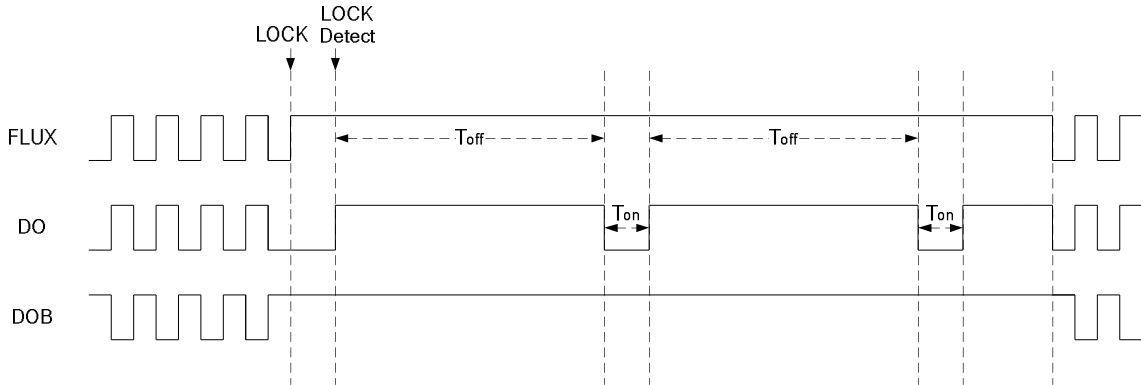
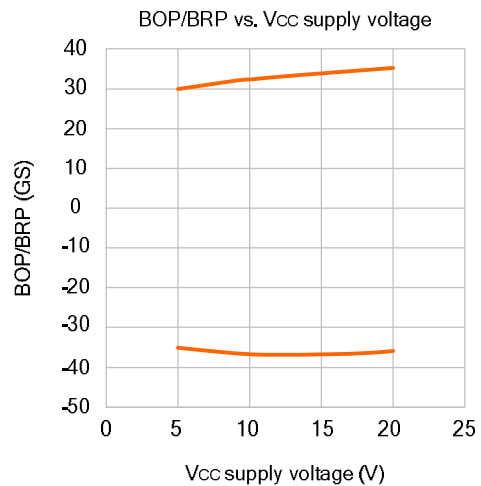
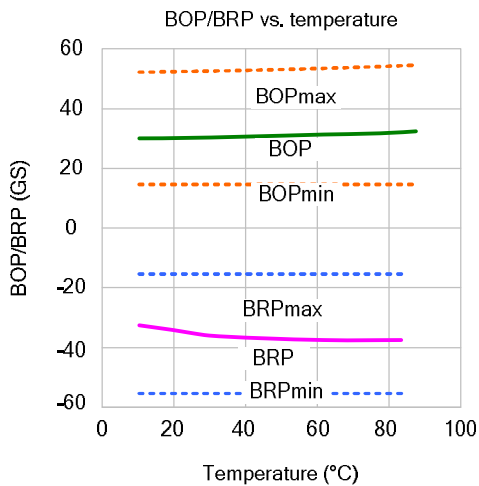
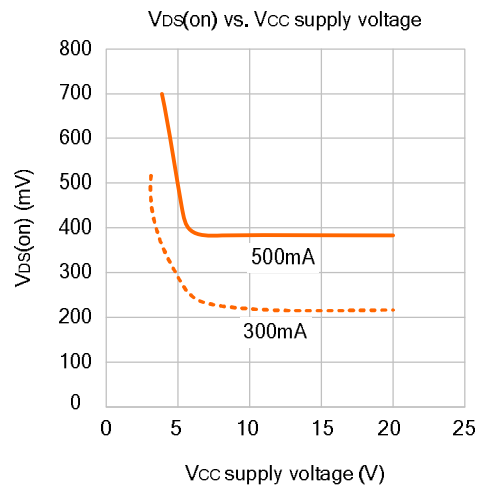
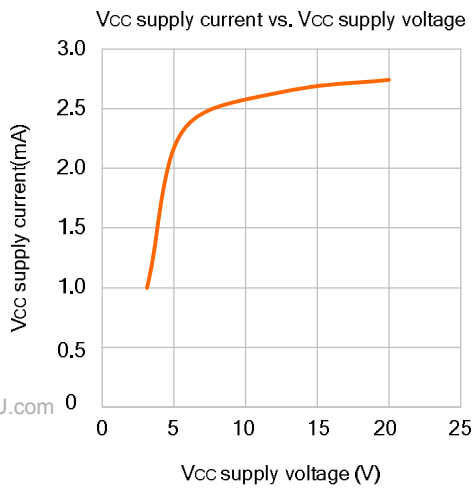
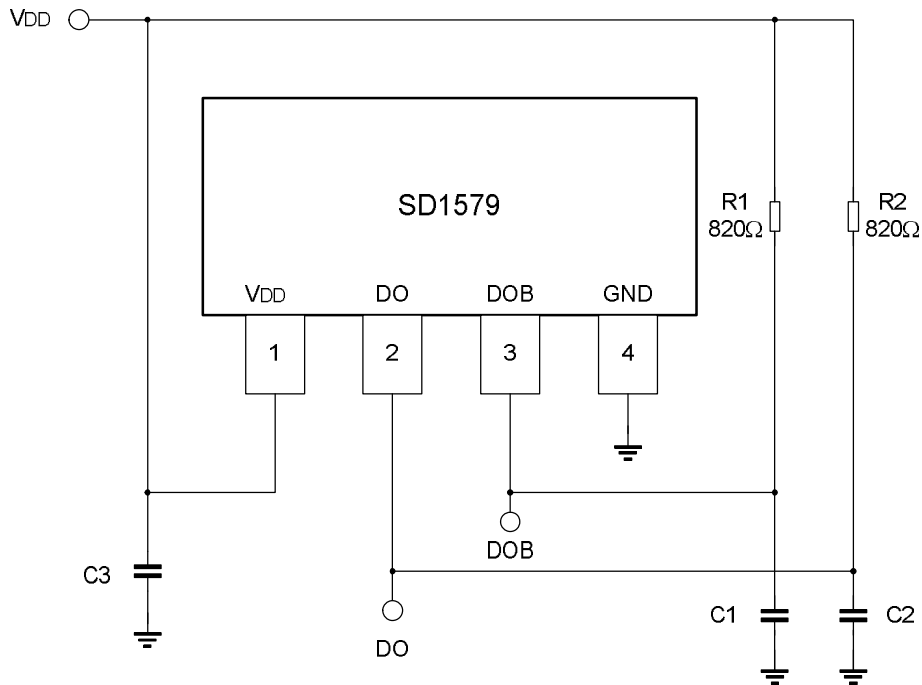


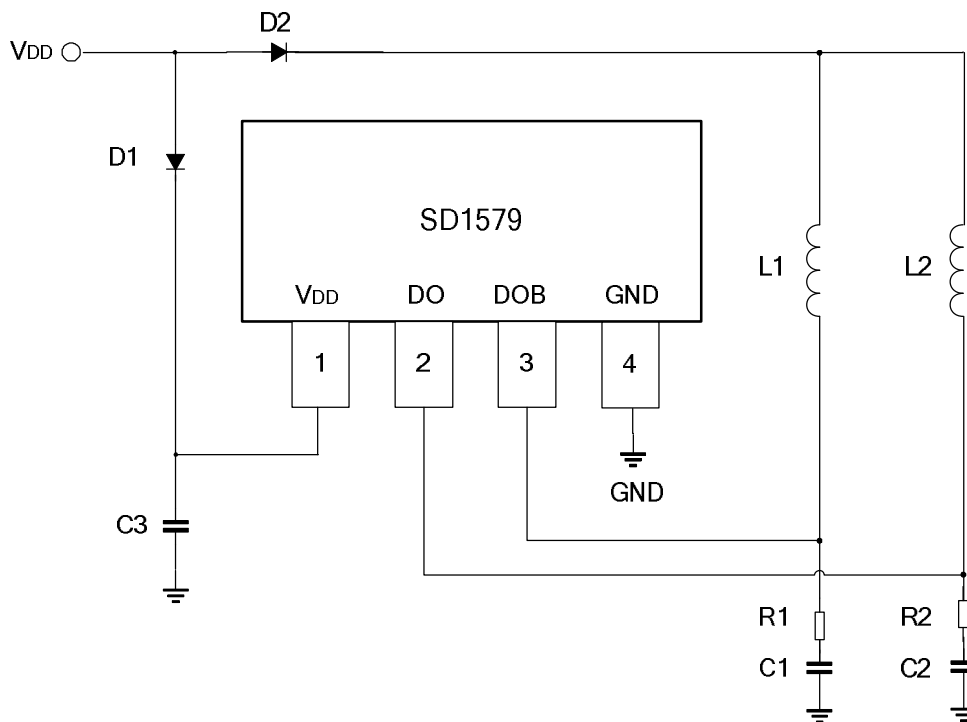
Fig 1. Lock Protection and Automatic Restart Waveform



TEST CIRCUIT



TYPICAL APPLICATION CIRCUIT



www.DataSheet4U.com

APPLICATION INFORMATION

1. Back electromotive force causes regenerated current to VDD line, therefore take a measure such as placing a capacitor between power supply and GND for routing regenerated current; In order to reduce the output DO and DOB side effects of induced electromotive force, need to increase a resistance-capacitance network at the output; in a typical application circuit diagram, R1 and R2 is typically 56 ohms; C1, C2 and C3 is typically 2.2uF; The value of R and C must match the actual coil;
2. Figure 2 is the normal working state, the current compose I_{CC} and I_{load} , power dissipation $PC = V_{DD} * I_{CC} + V_o * I_{load}$, Where V_o is the output voltage when DO or DOB turn on; It is need to be careful not to exceed its maximum power dissipation value dule to change of power supply voltage V_{DD} and the coil current I_{load} .
3. SD1579 has built-in reverse protection diodes, so D1 is no need; If you increase the D1 can better protect the chips, as shown in Figure 3; it should be noted that care should to taken to the two coils current when power voltage reversed, if $2 * V_o * I_{load} > IC's$ power consumption, it may cause damage to IC;

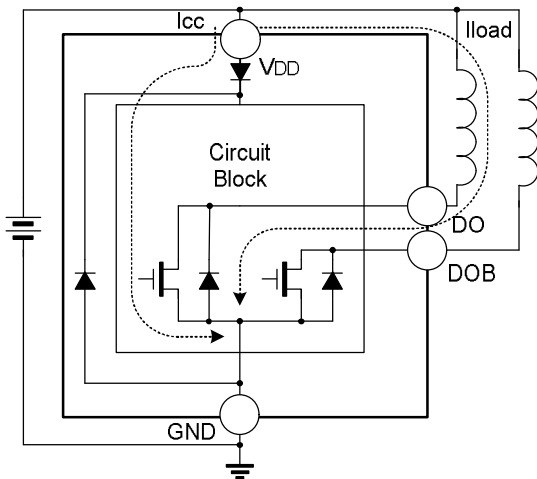


Fig.2 Normal working state

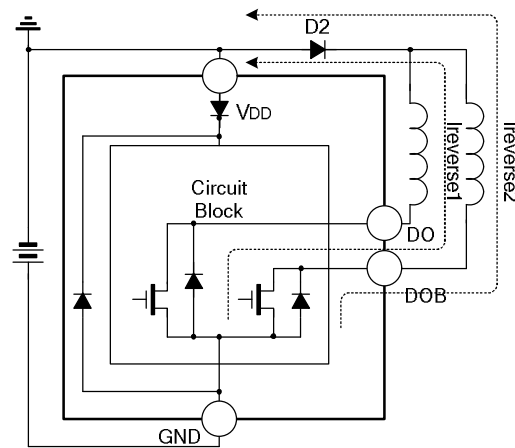


Fig.3 Reverse voltage state

4. Add a diode to coils can better protect the chip and the fans at reverse voltage state, as shown in Figure 4;

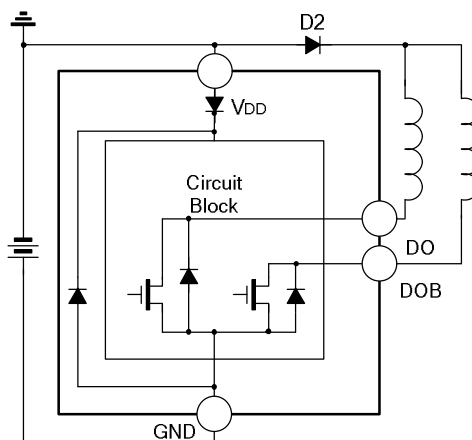
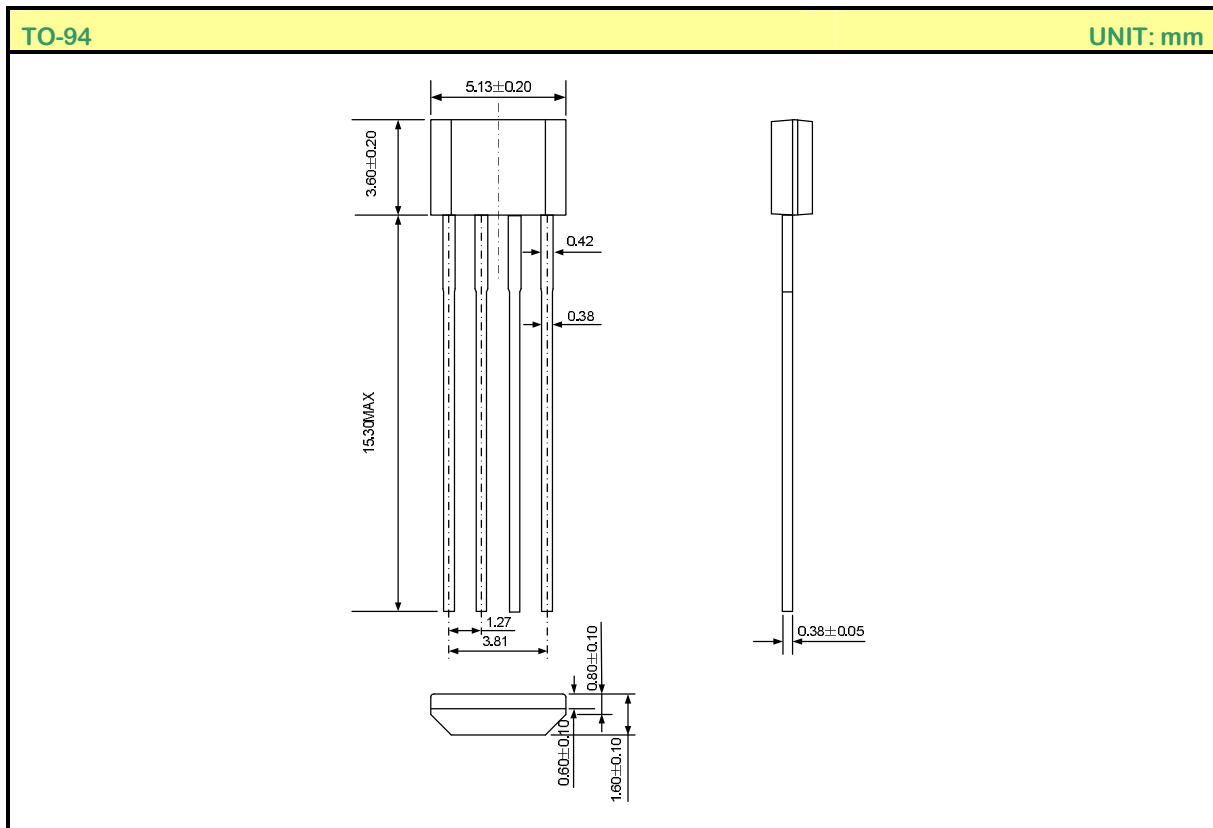


Figure 4 Add a diode to coils

PACKAGE OUTLINE



MOS DEVICES OPERATE NOTES:

Electrostatic charges may exist in many things. Please take following preventive measures to prevent effectively the MOS electric circuit as a result of the damage which is caused by discharge:

- The operator must put on wrist strap which should be earthed to against electrostatic.
- Equipment cases should be earthed.
- All tools used during assembly, including soldering tools and solder baths, must be earthed.
- MOS devices should be packed in antistatic/conductive containers for transportation.

Disclaimer:

- Silan reserves the right to make changes to the information herein for the improvement of the design and performance without further notice! Customers should obtain the latest relevant information before placing orders and should verify that such information is complete and current.
- All semiconductor products malfunction or fail with some probability under special conditions. When using Silan products in system design or complete machine manufacturing, it is the responsibility of the buyer to comply with the safety standards strictly and take essential measures to avoid situations in which a malfunction or failure of such Silan products could cause loss of body injury or damage to property.
- Silan will supply the best possible product for customers!