



### FEATURES

- Made in America
- Compact Size
- Cost Effective
- Reliable Solid State Design
- Maintenance Free
- Automatic Over-Current Shutdown and Recovery
- Totally Encapsulated
- UL Recognized File Number E81634 Available

### TYPICAL APPLICATIONS

- Ionizers
- Table Top Air Cleaners
- Medium Duty Electronic Air Cleaners
- Electrostatic Speakers
- Laser Start-up Circuits

### DESCRIPTION

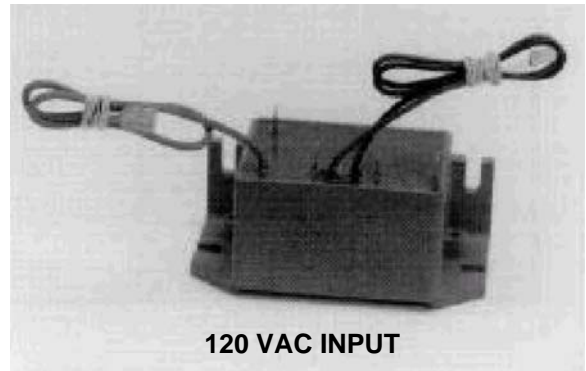
The CS2091 series of unregulated solid state power supplies is designed for ionizers, medium duty electronic air cleaners, lasers (start-up) circuits, EOS ESD antistatic equipment and other equipment requiring reliable, compact, economical, high voltage (5 KVDC and above) power supplies. The CS2091 series is available with either a positive or a negative output. There are three basic designs, as defined in the table, at 6 kVDC, 15 kVDC and 25 kVDC output. Other output voltages are available for custom designs.

### OPTIONS

- Input ground wire
- Control wires (requires a customer supplied potentiometer)
- "Power-On" indicating light

Many of the CS2091 series of power supplies are UL listed. This series of power supplies are designed to be mounted utilizing the integral mounting feet. The supply may be mounted in any position.

Custom voltages and housings are available. Consult factory for additional information.



120 VAC INPUT

### TYPICAL ELECTRICAL SPECIFICATIONS

- Input Voltage: 120 or 240 VAC  $\pm 10\%$
- Input Frequency: 50/60 Hz
- Output Voltage: 6, 15, or 25 kVDC
- Output Power: 3 W Max.
- Output Current: 450  $\mu$ A Max.
- Output Regulation: Unregulated, see Typical V-I Curve
- Load: May be operated into any load condition (capacitive, resistive or inductive) or no load. Can withstand arcing and short circuits.

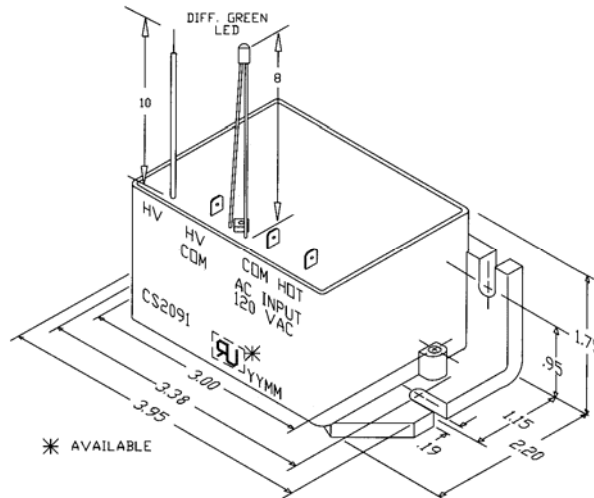
### TYPICAL MECHANICAL SPECIFICATIONS

- Case: Glass Filled Noryl UL 94V-1 Rated
- Encapsulant: Filled Epoxy, UL 94V-0 Rated
- Primary Wires (if used): 22 AWG PVC, 600 V, UL Style 1015, 105°C, 2 wire or 3 wire available
- High Voltage Wires (if used): 22 AWG Irradiated PVC, 15 KVDC or 30 KVDC, UL Style 3239, 105°C
- Temperature Rating:
  - Operating 0° to +60°C
  - Storage -40° to +85°C

## HIGH VOLTAGE POWER SUPPLIES

STANDARD MODELS	INPUT VOLTAGE	INPUT FREQUENCY	OUTPUT VOLTAGE	OUTPUT CURRENT MAXIMUM
CS2091L120-6	120VAC	50/60Hz	6 kVDC Neg	450 $\mu$ A
CS2091L120+6	120VAC	50/60Hz	6 kVDC Pos	450 $\mu$ A
CS2091L120-15	120VAC	50/60Hz	15 kVDC Neg	200 $\mu$ A
CS2091L120+15	120VAC	50/60Hz	15 kVDC Pos	200 $\mu$ A
CS2091L120-25	120VAC	50/60Hz	25 kVDC Neg	50 $\mu$ A
CS2091L120+25	120VAC	50/60Hz	25 kVDC Pos	50 $\mu$ A
CS2091L240-6 *	120VAC	50/60Hz	6 kVDC Neg	450 $\mu$ A
CS2091L240+6 *	120VAC	50/60Hz	6 kVDC Pos	450 $\mu$ A

**\*NOTE:** Package dimensions shown below are for the 120VAC input power supplies. The package size increases for a 240 VAC input design. Consult the factory for details.



### CS2091 SERIES, TYPICAL V-I CURVE

INPUT = 120VAC

