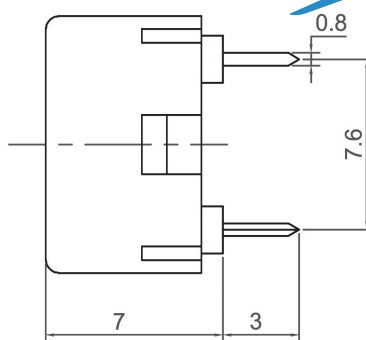
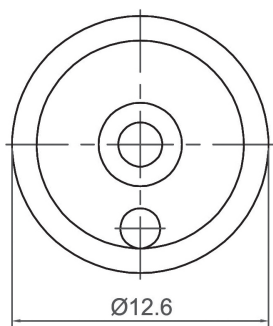
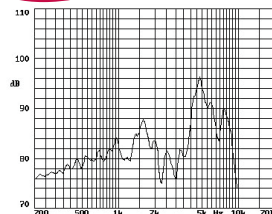


# External Drive Piezo Transducer (AC)

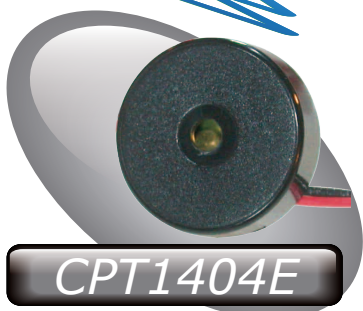


**CPT1306E**

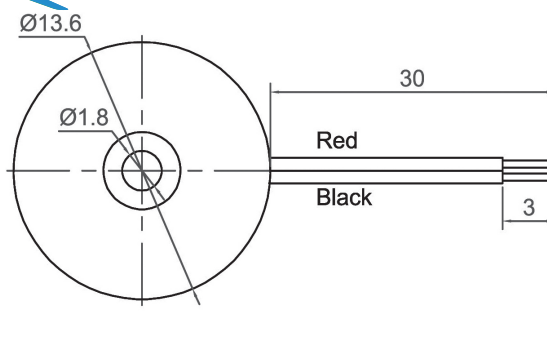
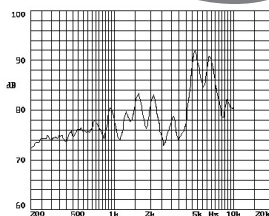


Canopus Part no.	Min sound Output (dBA)	Rated Voltage (V)	Max Input Voltage (V)	Resonant Frequency (Hz)	Capacitance (pF)	Operating Temperature (°C)	Housing	Weight (g)
CPT1306E40TP	80 AT 10cm	3 Vp-p	30 Vrms	4000	14000 ± 30% at 1000Hz	-20 ~ +70	PBT	2

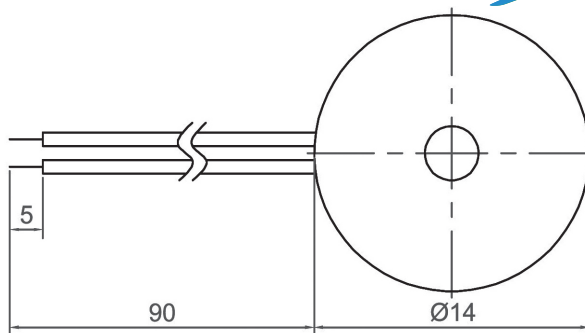
**CANOPUS**



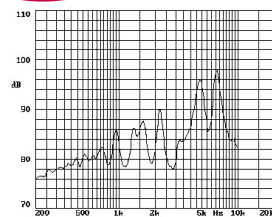
**CPT1404E**



Canopus Part no.	Min sound Output (dBA)	Rated Voltage (V)	Max Input Voltage (V)	Resonant Frequency (Hz)	Capacitance (pF)	Operating Temperature (°C)	Housing	Weight (g)
CPT1404E48BW	80 AT 10cm	5 Vp-p	30 Vrms	4800	12000 ± 30% at 1000Hz	-20 ~ +60	ABS	3



**CPT1404H**



Canopus Part no.	Min sound Output (dBA)	Rated Voltage (V)	Max Input Voltage (V)	Resonant Frequency (Hz)	Capacitance (pF)	Operating Temperature (°C)	Housing	Weight (g)
CPT1404H48NW	80 AT 10cm	10 Vp-p	30 Vrms	4800	15000 ± 30% at 1000Hz	-20 ~ +70	Noryl	1

**Your Efficient Supplier**  
[www.canopus.com.hk](http://www.canopus.com.hk)

TEL.: (852) 2806 2812

Fax: (852) 2652 2216