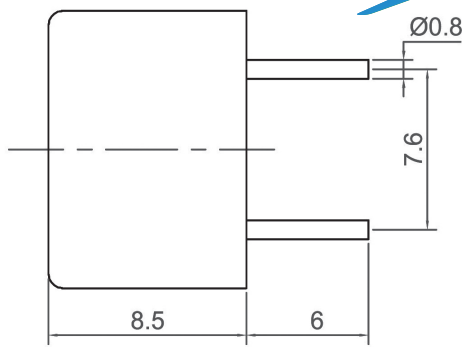
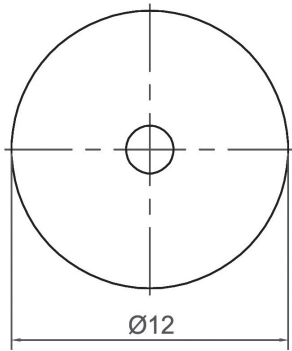
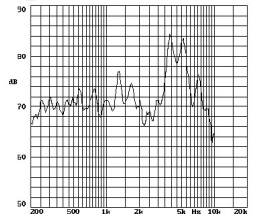


External Drive Piezo Transducer (AC)



CPT1208

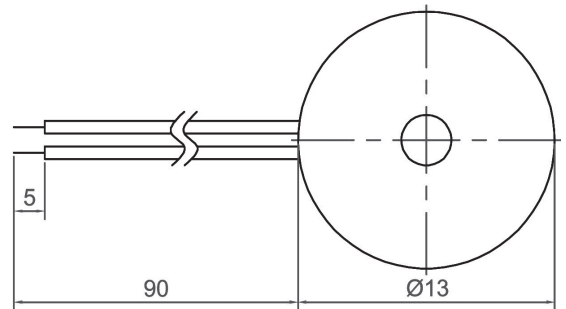
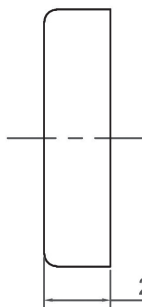
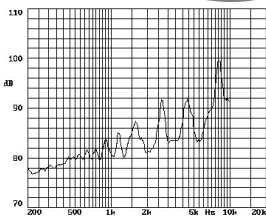


Canopus Part no.	Min sound Output (dBA)	Rated Voltage (V)	Max Input Voltage (V)	Resonant Frequency (Hz)	Capacitance (pF)	Operating Temperature (°C)	Housing	Weight (g)
CPT1208C40TP	70 AT 10cm	3 Vp-p	30 Vrms	4000	14000 ± 30% at 1000Hz	-20 ~ +70	PBT	2

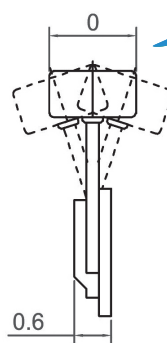
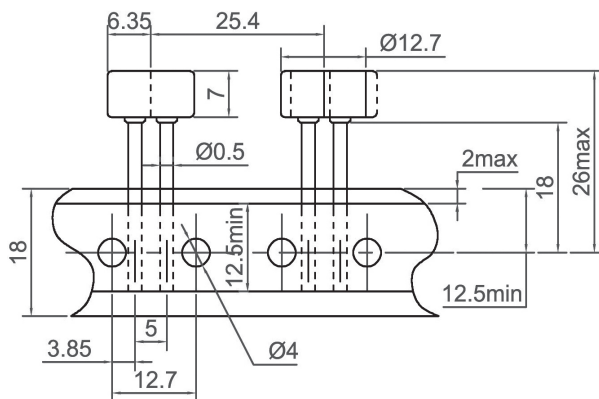
CANOPUS



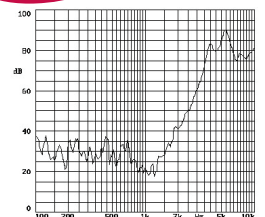
CPT1302



Canopus Part no.	Min sound Output (dBA)	Rated Voltage (V)	Max Input Voltage (V)	Resonant Frequency (Hz)	Capacitance (pF)	Operating Temperature (°C)	Housing	Weight (g)
CPT1302H48BW	80 AT 10cm	10 Vp-p	30 Vrms	4800	15000 ± 30% at 1000Hz	-20 ~ +70	ABS	1



CPT1306C



Canopus Part no.	Min sound Output (dBA)	Rated Voltage (V)	Max Input Voltage (V)	Resonant Frequency (Hz)	Capacitance (pF)	Operating Temperature (°C)	Housing	Weight (g)
CPT1306C40TP	75 AT 10cm	3 Vp-p	30 Vrms	4000	12000 ± 30% at 1000Hz	-20 ~ +70	PBT	0.65

Your Efficient Supplier
www.canopus.com.hk

TEL.: (852) 2806 2812

Fax: (852) 2652 2216