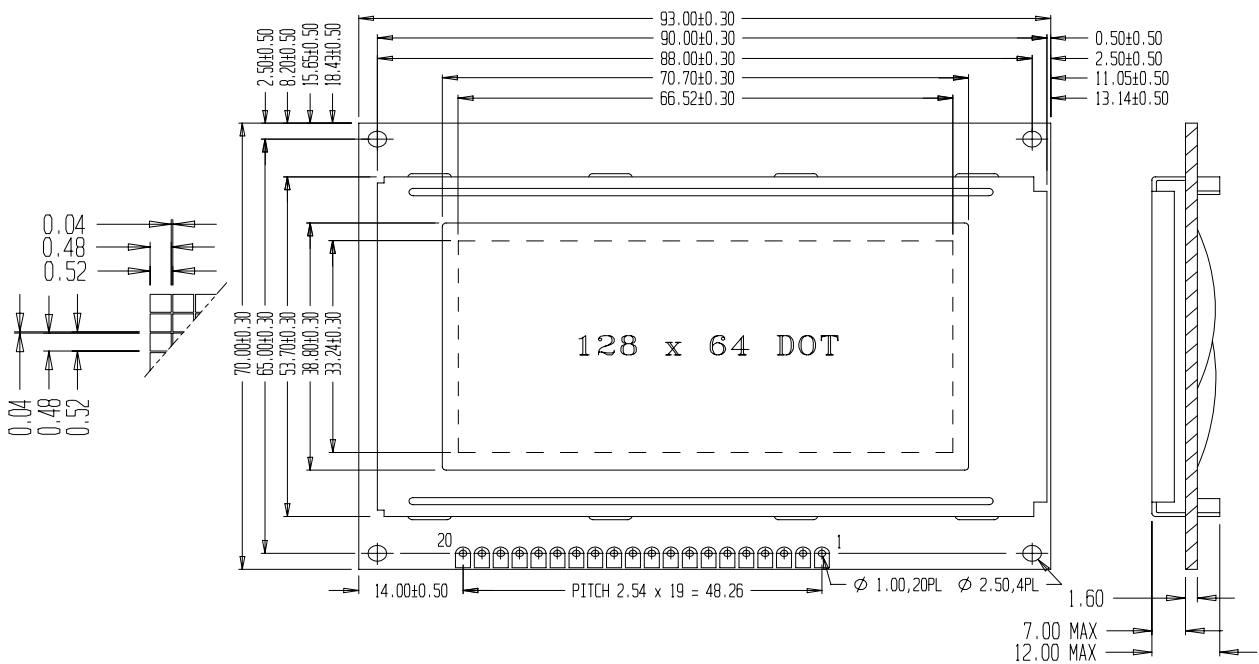


■ PHYSICAL DATA

Item	Contents	Unit
LCD type	STN	---
LCD duty	1/64	---
LCD bias	1/9	---
Viewing direction	6	o'clock
Module size (W×H×T)	93 × 70 × 12MAX (3.66" × 2.76" × 0.47"MAX)	mm
Viewing area (W×H)	70.7 × 38.8 (2.78" × 1.53")	mm
Number of dots	128 × 64	dots
Dot size (W×H)	0.48 × 0.48 (0.019" × 0.019")	mm
Dot pitch (W×H)	0.52 × 0.52 (0.020" × 0.020")	mm

■ EXTERNAL DIMENSIONS



■ BLOCK DIAGRAM

20	19	18	17	16	15	14	13	12	11	10	9	8	7	6	5	4	3	2	1
SLK	SLA	VOU	RSTB	CS2	CS1	DB7	DB6	DB5	DB4	DB3	DB2	DB1	DB0	E	R/W	RS	VO	VDD	VSS

