

TURBOSWITCH™ "B". ULTRA-FAST HIGH VOLTAGE DIODE
MAIN PRODUCTS CHARACTERISTICS

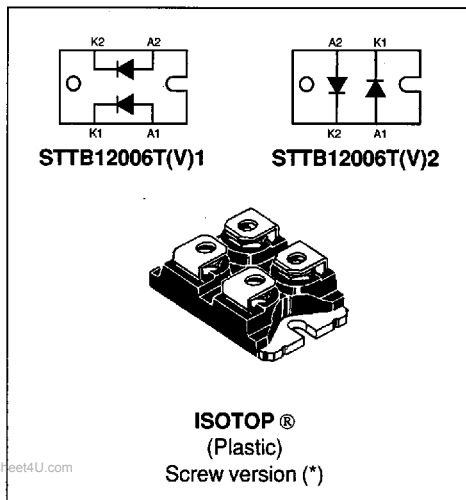
$I_{F(AV)}$	2*60A
V_{RRM}	600V
t_{rr} (typ)	65ns
V_F (max)	1.3V

FEATURES AND BENEFITS

- SPECIFIC TO THE FOLLOWING OPERATIONS: Snubbing or clamping, demagnetization and rectification.
- ULTRA-FAST, SOFT AND NOISE-FREE RECOVERY.
- VERY LOW OVERALL POWER LOSSES AND PARTICULARLY LOW FORWARD VOLTAGE.
- DESIGNED FOR HIGH PULSED CURRENT OPERATIONS.

DESCRIPTION

The TURBOSWITCH is a very high performance series of ultra-fast high voltage power diodes from 600V to 1200V. TURBOSWITCH, B family, drastically cuts losses in all high voltage operations which require extremely fast, soft and noise-free power diodes. They are particularly suitable in the primary circuit



of an SMPS as snubber, clamping or demagnetizing diodes, and also in most power converters as high performance rectifier diodes. Packaged in ISOTOP, these 600V devices are particularly intended for use on 240V domestic mains.

ABSOLUTE MAXIMUM RATINGS

Symbol	Parameter	Value	Unit
V_{RRM}	Repetitive peak reverse voltage	600	V
V_{RSM}	Non repetitive peak reverse voltage	600	V
$I_{F(RMS)}$	RMS forward current	150	A
I_{FRM}	Repetitive peak forward current (tp = 5 μ s, f = 1kHz)	2100	A
T_j	Max operating junction temperature	-65 to 150	°C
T_{stg}	Storage temperature	-65 to 150	°C

(*) : Tin plated Fast-on version is also available (without V suffix).

TM : ISOTOP and TURBOSWITCH are trademarks of SGS-THOMSON Microelectronics.

THERMAL AND POWER DATA

Symbol	Parameter	Conditions	Value	Unit
$R_{th(j-c)}$	Junction to case thermal resistance	Per diode	085	°C/W
		Total	0.47	
		Coupling	0.1	
P_1	Conduction power dissipation (see fig. 5)	Per diode $I_{F(AV)} = 60A$ $\delta = 0.5$ $T_c = 58^\circ C$	108	W
P_{max}	Total power dissipation $P_{max} = P_1 + P_3$ ($P_3 = 10\% P_1$)	Per diode $T_c = 48^\circ C$	120	W

STATIC ELECTRICAL CHARACTERISTICS (see Fig.5)

Symbol	Parameter	Test Conditions	Min	Typ	Max	Unit
V_F	Forward voltage drop	$I_F = 60A$ $T_j = 25^\circ C$ $T_j = 125^\circ C$			1.4 1.3	V V
I_R	Reverse leakage current	$V_R = 0.8$ $\times V_{RRM}$ $T_j = 25^\circ C$ $T_j = 125^\circ C$			200 9	μA mA

Test pulses widths : * $t_p = 380 \mu s$, duty cycle < 2%** $t_p = 5 ms$, duty cycle < 2%

www.DataSheet4U.com

DYNAMIC ELECTRICAL CHARACTERISTICS

TURN-OFF SWITCHING (see Fig.6)

Symbol	Parameter	Test Conditions	Min	Typ	Max	Unit
t_{rr}	Reverse recovery time	$T_j = 25^\circ C$ $I_F = 0.5 A$ $I_R = 1 A$ $I_{rr} = 0.25A$ $I_F = 1 A$ $di/dt = -50A/\mu s$ $V_R = 30V$		65	115	ns
I_{RM}	Maximum reverse recovery current	$T_j = 125^\circ C$ $V_R = 400V$ $I_F = 60A$ $di/dt = -480 A/\mu s$			TBD	A
S factor	Softness factor	$T_j = 125^\circ C$ $V_R = 400V$ $I_F = 60A$ $di/dt = -500 A/\mu s$		TBD		/

TURN-ON SWITCHING (see Fig.7)

Symbol	Parameter	Test Conditions	Min	Typ	Max	Unit
t_{fr}	Forward recovery time	$T_j = 25^\circ C$ $I_F = 60 A$, $di/dt = 480 A/\mu s$ measured at, $1.1 \times V_{Fmax}$			TBD	ns
V_{Fp}	Peak forward voltage	$T_j = 25^\circ C$ $I_F = 60A$, $di/dt = 480 A/\mu s$			TBD	V

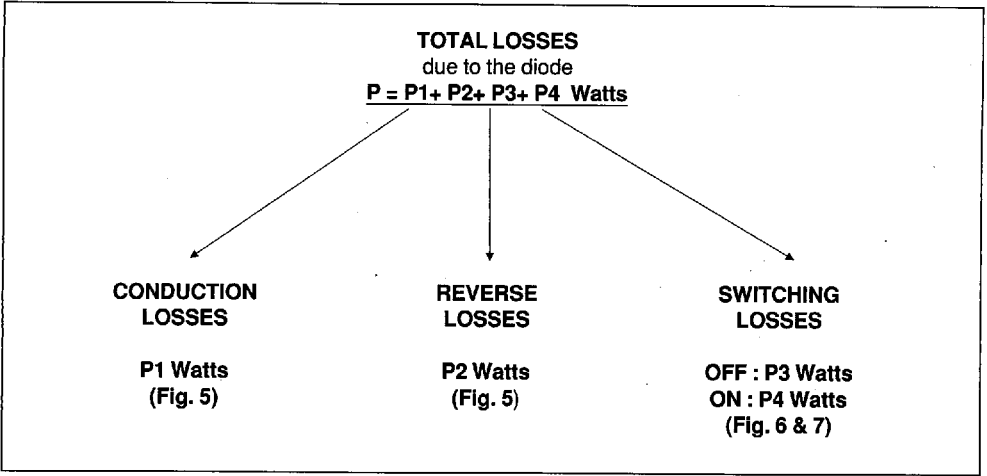
TBD : To Be Defined

www.DataSheet4U.com

APPLICATION DATA

The TURBOSWITCH "B" is especially designed to provide the lowest overall power losses in any application such as snubbing, clamping,

demagnetization and rectification. In such applications (fig.1 to fig.4), the way of calculating the power losses is given below :



www.DataSheet4U.com

Fig. 1 : SNUBBER DIODE.

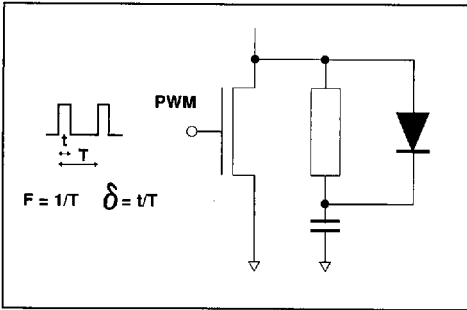


Fig. 2 : CLAMPING DIODE.

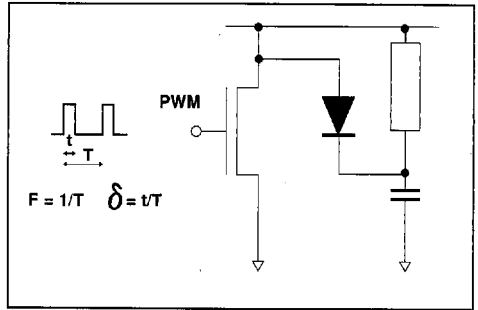


Fig. 3 : DEMAGNETIZING DIODE.

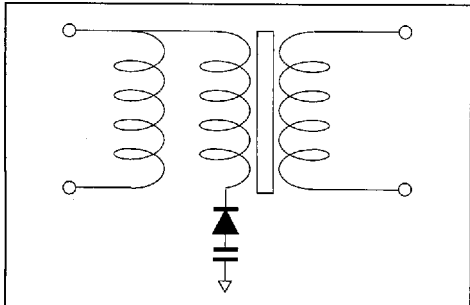
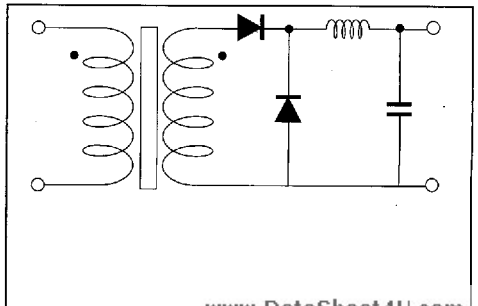


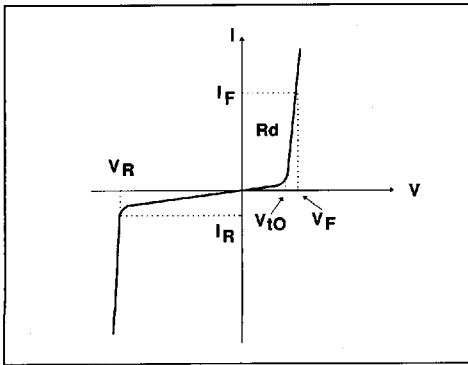
Fig. 4 : RECTIFIER DIODE.



www.DataSheet4U.com

APPLICATION DATA (Cont'd)

Fig. 5: STATIC CHARACTERISTICS



Conduction losses :

$$P1 = V_{t0} \cdot I_F(AV) + R_d \cdot I_F^2(RMS)$$

with

$$V_{t0} = 1.00 \text{ V}$$

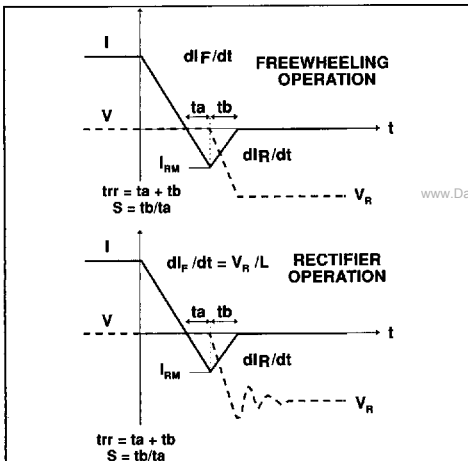
$$R_d = 0.005 \text{ Ohm}$$

(Max values at 125°C)

Reverse losses :

$$P2 = V_R \cdot I_R \cdot (1 - \delta)$$

Fig. 6: TURN-OFF CHARACTERISTICS



Turn-off losses :

$$P3 = \frac{V_R \times I_{RM}^2 \times S \times F}{6 \times dI_F/dt}$$

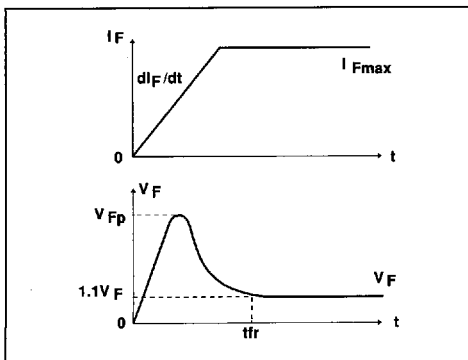
Turn-off losses :

(with non negligible serial inductance)

$$P3' = \frac{V_R \times I_{RM}^2 \times S \times F}{6 \times dI_F/dt} + \frac{L \times I_{RM}^2 \times F}{2}$$

P3 and P3' are suitable for power MOSFET and IGBT

Fig. 7: TURN-ON CHARACTERISTICS



Turn-on losses :

$$P4 = 0.4 (V_{FP} - V_F) \cdot I_{Fmax} \cdot t_{fr} \cdot F$$