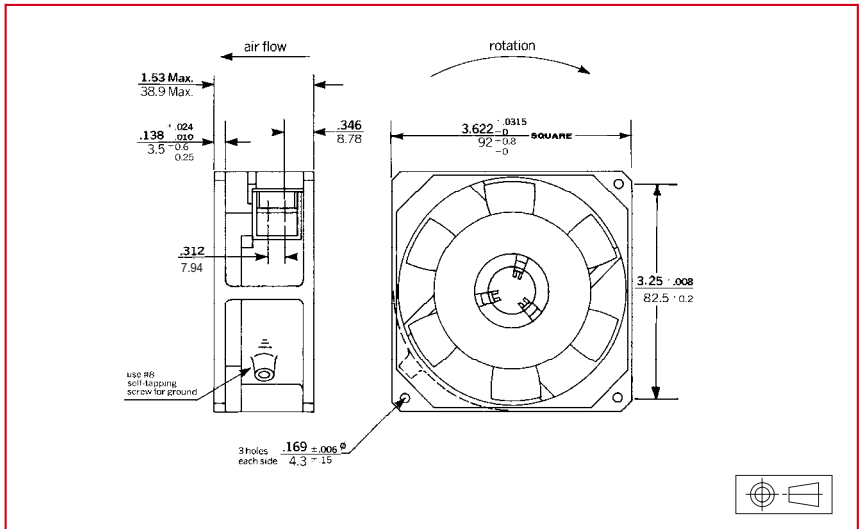


AC Axial Fans



Approvals



GAM T1 listed

Life expectancy

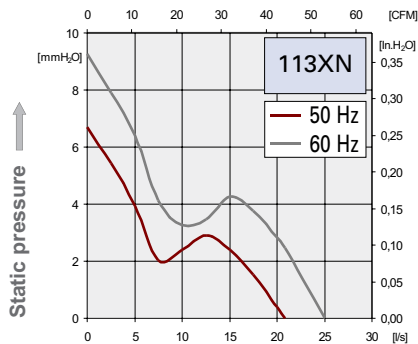
L-10 LIFE AT 40°C:
80 000 hours (ball bearings)
50 000 hours (sleeve bearings)

AC Motor

Electrical protection: impedance protected
Housing material: zamak
Impeller material: plastic UL 94 VO
Weight: 0,615 kg

Available with:

- flying leads



www.DataSheet4U.com **Airflow** →

| Part number | Nominal voltage | Airflow | Noise level | Nominal speed | Frequency | Phases | Capacitor | Input power | Nominal current | Starting current | Bearing system | | Connection type | | Operating temperature | |
|--------------|-----------------|---------|-------------|---------------|-----------|--------|-----------|-------------|-----------------|------------------|----------------|--------|-----------------|-----------|-----------------------|---------|
| | V | l/s | dB(A) | RPM | Hz | | µF | W | mA | mA | Ball | Sleeve | Leads | Terminals | Min. °C | Max. °C |
| 113XN0182000 | 115 | 21 | 36 | 2850 | 50 | 1 | | 10 | 140 | 270 | X | | | X | - 10 | 70 |
| | | 25 | 41 | 3300 | 60 | 1 | | 9 | 115 | 220 | X | | | X | - 10 | 70 |
| 113XN0181000 | 208-240 | 21 | 36 | 2850 | 50 | 1 | | 12 | 85 | 160 | X | | | X | - 10 | 70 |
| | | 25 | 41 | 3300 | 60 | 1 | | 11 | 75 | 140 | X | | | X | - 10 | 70 |
| 113XN2182000 | 115 | 21 | 36 | 2850 | 50 | 1 | | 10 | 140 | 270 | | X | | X | - 10 | 55 |
| | | 25 | 41 | 3300 | 60 | 1 | | 9 | 115 | 220 | | X | | X | - 10 | 55 |
| 113XN2181000 | 208-240 | 21 | 36 | 2850 | 50 | 1 | | 12 | 85 | 160 | | X | | X | - 10 | 55 |
| | | 25 | 41 | 3300 | 60 | 1 | | 11 | 75 | 140 | | X | | X | - 10 | 55 |

Additional versions:

Salt spray protected; shock and vibration protected -
Marine specifications; wide temperature range

Accessories:

- Plastic finger guards P/N : PFG-92 and 91-53
- Plastic filter P/N : F90/T102

- Rubber mounts P/N : AM-10
- Metal finger guard P/N : 9901-43
- Metal mesh filter P/N : 90-G