

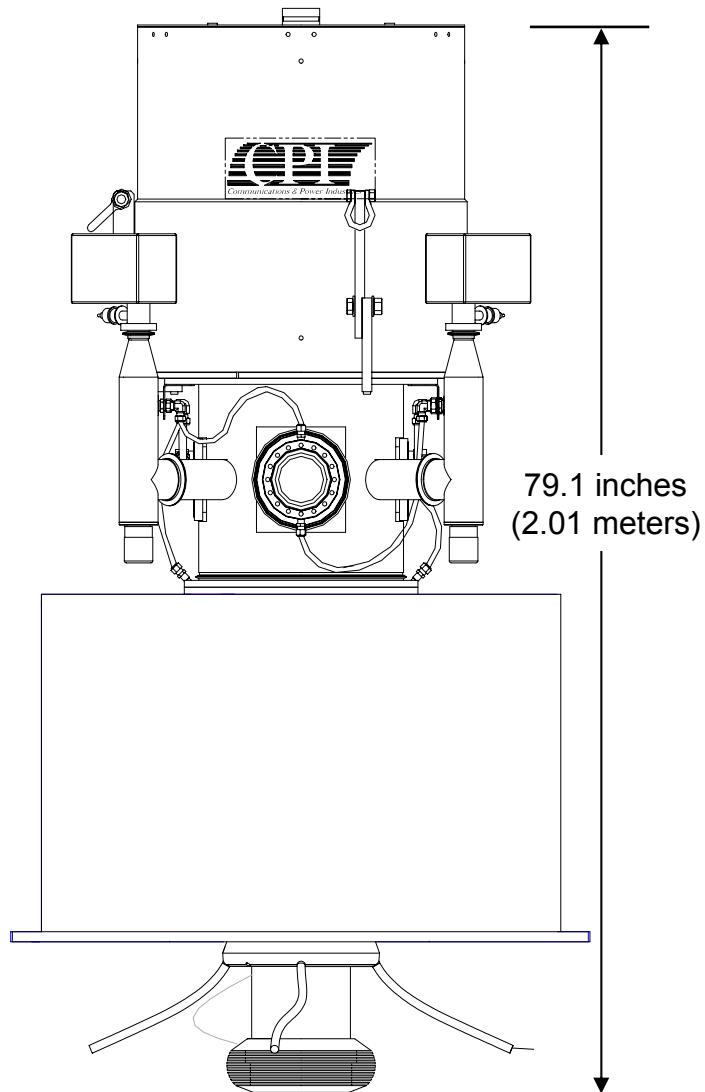
VGB-8084A Gyrotron Oscillator

www.DataSheet4U.com



CPI gyrotrons were the first commercially available high-power, long-pulse/CW, high-frequency devices for plasma fusion experiments and other scientific and industrial applications. CPI-MPP provides an extensive line of gyrotrons that cover frequencies from 28-140 GHz with power levels ranging from 10 kW to 1.3 MW.

The VGB-8084A gyrotron delivers output power levels up to 600 kW at a frequency of 84 GHz.



For additional information on gyrotrons, other CPI products, or a copy of our catalog-on-disk, please contact:

CPI Microwave Power Products, 811 Hansen Way, Palo Alto, CA 94303-0750

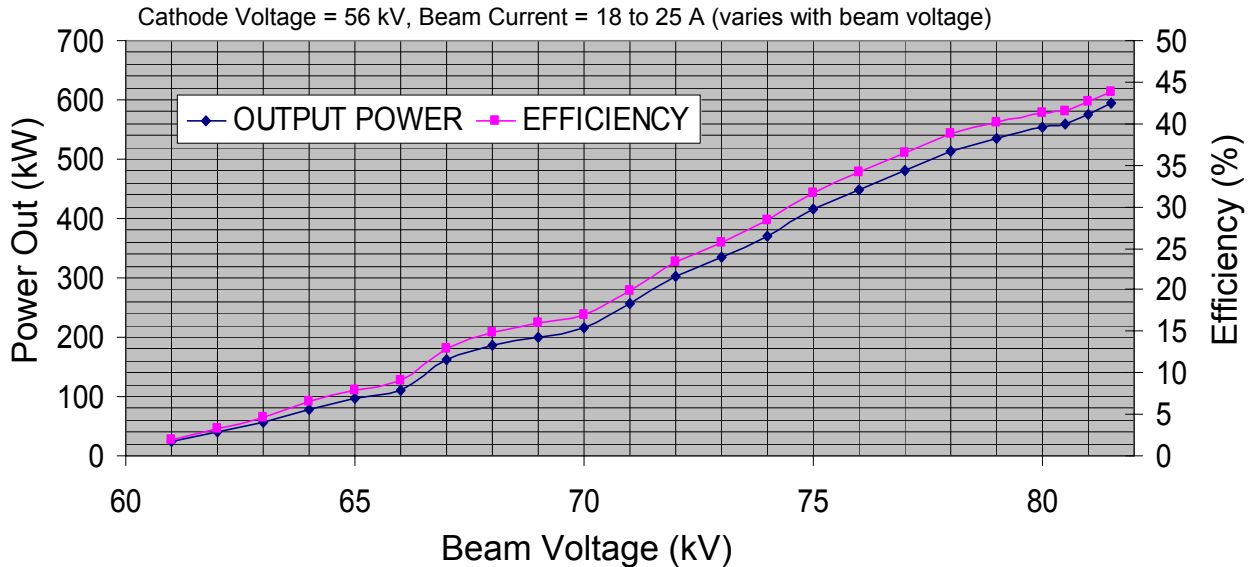
Telephone: 650-846-3172, Fax: 650-856-0705, Email: marketing@cpii.com www.DataSheet4U.com

VGB-8084A Gyrotron Oscillator

www.DataSheet4U.com



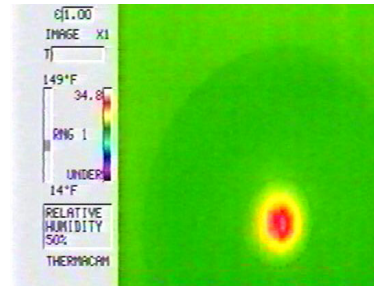
Power & Efficiency vs. Beam Voltage



CVD Diamond Output Window



Infrared Image of Beam at Output Window



Features

- Gaussian Output Beam
- CVD Diamond Output Window
- Diode Electron Gun
- Single-Stage Depressed Collector
- Long Hold-Time Superconducting Magnet

Typical Operating Parameters

Power Output	600 kW
Pulse Length	2 sec
Cathode Voltage	-60 kV
Body Voltage	+20 kV
Beam Current	25 A
Frequency	84±0.2 GHz
Efficiency	40%
Gyrotron Weight	1800 lbs
Output Mode	TEM ₀₀

For additional information on gyrotrons, other CPI products, or a copy of our catalog-on-disk, please contact:

CPI Microwave Power Products, 811 Hansen Way, Palo Alto, CA 94303-0750

Telephone: 650-846-3172, Fax: 650-856-0705, Email: marketing@cpii.com www.DataSheet4U.com