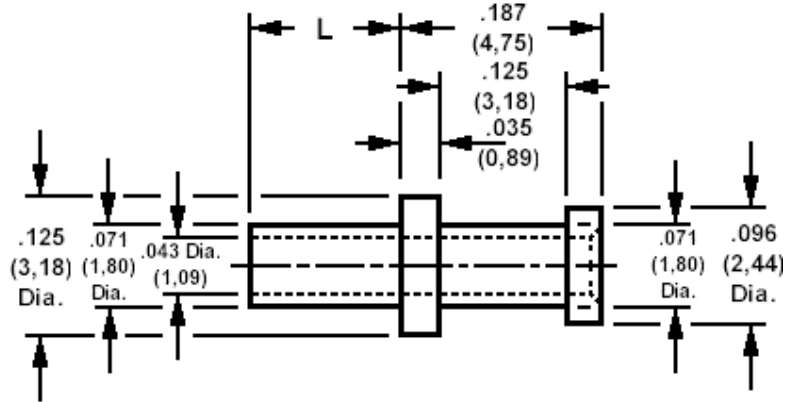


160-2027 Solder terminal, turreted, thru hole

Recommended mounting hole .076 (1,93), #48 drill



How to order code

160-2027-XX-YY-00

Basic Part No XX = L dimension, YY = Plating Finish

DIMENSIONS (XX)			
Basic Part No	(XX)	L	Board Thickness
160-2027	-01	.063 (1,60)	.031 (0,79)
	-02	.094 (2,39)	.062 (1,58)
	-03	.125 (3,18)	.094 (2,38)
	-04	.156 (3,96)	.125 (3,18)

MATERIALS			
Component	Material	Finish (YY)	
		-01	-05
Terminal	Brass	Silver	Electro Solder

SWAGE TOOLING	
Recommended Swaging Tools:-	
Anvil	435-6419-01-00-00
Roll punch	435-6617-01-00-00
Flare Punch	435-6657-01-00-00