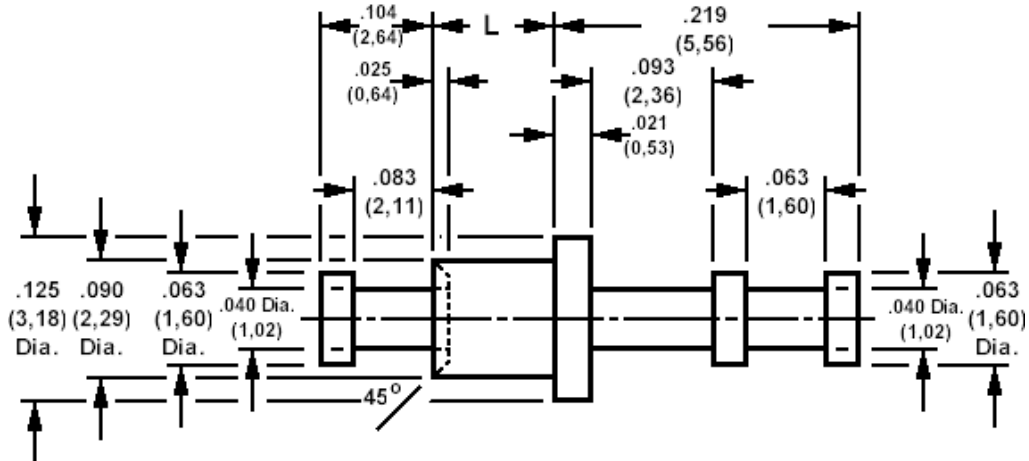


160-2000 Solder terminal, turreted, feed thru,

Recommended mounting hole .094 (2,37), #42 drill



How to order code

160-2000-XX-YY-00

Basic Part No XX = L dimension, YY = Plating Finish

DIMENSIONS (XX)			
Basic Part No	(XX)	L	Board Thickness
160-2000	-01	.062 (1,57)	.031 (0,79)
	-02	.093 (2,39)	.062 (1,59)
	-03	.125 (3,18)	.094 (2,38)
	-04	.156 (3,96)	.125 (3,18)

MATERIALS			
Component	Material	Finish (YY)	
		-01	-05
Terminal	Brass	Silver	Electro Solder

SWAGE TOOLING	
Recommended Swaging Tools:-	
Anvil	435-6430-01-00-00
Roll punch	435-6654-01-00-00