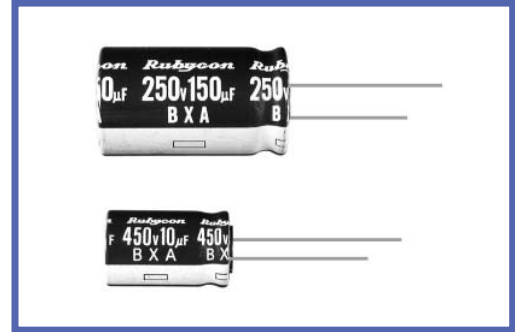


BXA SERIES
Load Life:105°C 12000 hours.(φ 10:10000 hours)
◆FEATURES

- High Ripple Current
- For Electronic Ballast, Power Supply
- RoHS compliance.


◆SPECIFICATIONS

Items	Characteristics															
Category Temperature Range	-25~+105°C															
Rated Voltage Range	160~450V.DC															
Capacitance Tolerance	±20%(20°C,120Hz)															
Leakage Current(MAX)	$I=0.04CV+100\mu A$ (After 1 minute application of rated voltage) $I=0.02CV+25\mu A$ (After 5 minutes application of rated voltage) I=Leakage Current(μA) C=Rated Capacitance(μF) V=Rated Voltage(V)															
Dissipation Factor(MAX) (tanδ)	<table border="1"> <thead> <tr> <th>Rated Voltage(V)</th> <th>160</th> <th>200</th> <th>250</th> <th>350</th> <th>400</th> <th>450</th> </tr> </thead> <tbody> <tr> <td>(20°C,120Hz)</td> <td>tanδ</td> <td>0.15</td> <td>0.15</td> <td>0.15</td> <td>0.20</td> <td>0.20</td> <td>0.20</td> </tr> </tbody> </table>	Rated Voltage(V)	160	200	250	350	400	450	(20°C,120Hz)	tanδ	0.15	0.15	0.15	0.20	0.20	0.20
Rated Voltage(V)	160	200	250	350	400	450										
(20°C,120Hz)	tanδ	0.15	0.15	0.15	0.20	0.20	0.20									
Endurance	After life test with rated ripple current at conditions stated in the table below, the capacitors shall meet the following requirements. <table border="1"> <thead> <tr> <th>Capacitance Change</th> <th>Within ±20% of the initial value.</th> <th>Case Size</th> <th>Life Time</th> </tr> </thead> <tbody> <tr> <td>Dissipation Factor</td> <td>Not more than 200% of the specified value.</td> <td>φ D=10</td> <td>10000</td> </tr> <tr> <td>Leakage Current</td> <td>Not more than the specified value.</td> <td>φ D≥12.5</td> <td>12000</td> </tr> </tbody> </table>	Capacitance Change	Within ±20% of the initial value.	Case Size	Life Time	Dissipation Factor	Not more than 200% of the specified value.	φ D=10	10000	Leakage Current	Not more than the specified value.	φ D≥12.5	12000			
Capacitance Change	Within ±20% of the initial value.	Case Size	Life Time													
Dissipation Factor	Not more than 200% of the specified value.	φ D=10	10000													
Leakage Current	Not more than the specified value.	φ D≥12.5	12000													
Low Temperature Stability Impedance Ratio(MAX)	<table border="1"> <thead> <tr> <th>Rated Voltage(V)</th> <th>160</th> <th>200</th> <th>250</th> <th>350</th> <th>400</th> <th>450</th> </tr> </thead> <tbody> <tr> <td>(120Hz)</td> <td>Z(-25°C)/Z(20°C)</td> <td>3</td> <td>3</td> <td>3</td> <td>6</td> <td>6</td> <td>6</td> </tr> </tbody> </table>	Rated Voltage(V)	160	200	250	350	400	450	(120Hz)	Z(-25°C)/Z(20°C)	3	3	3	6	6	6
Rated Voltage(V)	160	200	250	350	400	450										
(120Hz)	Z(-25°C)/Z(20°C)	3	3	3	6	6	6									

◆MULTIPLIER FOR RIPPLE CURRENT

Frequency coefficient

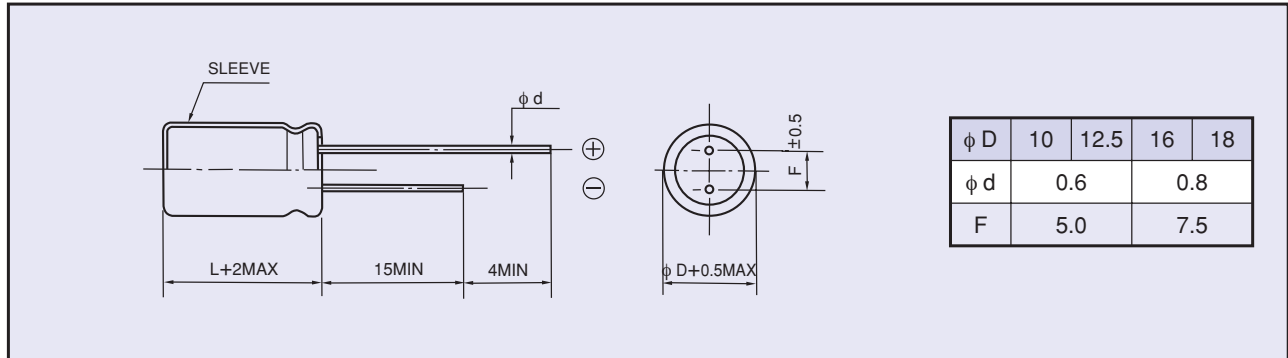
Frequency(Hz)	120	1k	10k	100k≤
Coefficient	0.50	0.80	0.90	1.00

◆PART NUMBER

<input type="text"/>	<input type="text"/>	<input type="text"/>	<input type="text"/>	<input type="text"/>	<input type="text"/>	<input type="text"/>	<input type="text"/>	<input type="text"/>	
Rated Voltage	Series	Rated Capacitance	Capacitance Tolerance	Option	Lead Forming	Case Size			

◆DIMENSIONS

(mm)



◆STANDARD SIZE

Size $\phi D \times L$ (mm), Ripple Current (mA r.m.s./105°C, 100kHz)

Cap(μ F)	WV (V.DC)	160 (2C)		200 (2D)		250 (2E)	
		Size	Ripple	Size	Ripple	Size	Ripple
10		10×16	250	10×16	250	10×20	280
22		10×20	500	10×20	500	12.5×20	600
33		10×20	500	12.5×20	600	12.5×20	600
47		12.5×20	660	12.5×20	660	12.5×25 16×20	720
68		12.5×25 16×20	760	12.5×25 16×20	760	16×25 18×20	920
100		16×25 18×20	1120	16×25 18×20	1120	16×31.5 18×25	1200
150		16×31.5 18×25	1360	16×31.5 18×25	1360	18×31.5	1500
220		16×31.5 18×25	1400	18×31.5	1700		

Cap(μ F)	WV (V.DC)	350 (2V)		400 (2G)		450 (2W)	
		Size	Ripple	Size	Ripple	Size	Ripple
6.8		10×16	220	10×16	220	10×20	150
10		10×20	280	10×20	280	12.5×20	320
22		12.5×20	350	12.5×25 16×20	430	16×25 18×20	560
33		16×20	500	16×25 18×20	640	16×31.5 18×25	700
47		16×25 18×20	660	16×31.5 18×25	840	18×31.5	880
68		16×31.5 18×25	850	18×31.5	1000		