

Features

- Maximum configuration: 128 pairs (8 x 32)
- Rotates 180 ° and locks into place for convenient front access to equipment terminations
- Bifurcated quick-clip insulation displacement connections (IDC)
- Universal mounting plate hole pattern is compatible with most frames
- Hinged front cover to safeguard personnel and cross-connections
- Locking mechanism safeguards connectors against accidental uncoupling
- Protective top cover shields equipment terminations from wire clipping or other debris
- Terminates 22 to 26 AWG conductors

Versablock® Rotating Terminal Block

Versablock® Rotating Terminal Blocks are a family of rotating terminal blocks that offer termination arrangements configured for decimal and octal pair-count applications.

The product family is intended for use on central office (CO) frames, private automatic branch exchange (PABX) frames or any application where a compact terminal block is required.

The Versablock® Rotating Terminal Block is a molded plastic assembly measuring 200 mm (7.875 in.) wide, 98.4 mm (3.875 in.) high and 121 mm (4.75 in.) deep.

A variety of cross-connect terminal counts is available up to 128 pairs. Cross-connect terminal options include both single and bifurcated wire-wrap and bifurcated quick-clip insulation displacement connection (IDC). Each Versablock® Rotating Terminal Block has a protective front cover to shield connections from wire clippings and other debris. The cover snaps on and off easily.

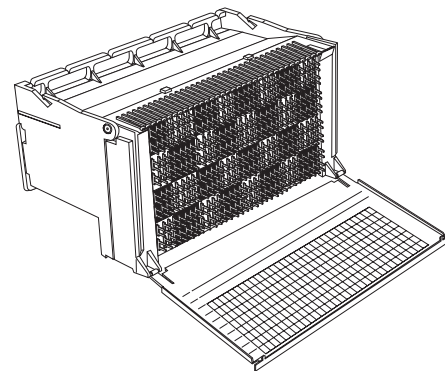
Jumper wires are routed through front and rear fanning strips. The front slots are aligned with the wire-dressing channels between terminal rows. This allows rapid cross-connect wire identification and promotes orderly dressing.

An integral locking system is employed on the connectors of connectorized units. This locking mechanism safeguards connectors against accidental uncoupling. The standard male connectors are equipped with windows that engage pre-installed spring clips at both ends of female cable connectors. The connectors may be readily disengaged by means of a ball-point pen or similar pointed object. This latching arrangement eliminates the need for additional locking hardware. Alternately, screws and tie-wraps may be used if desired.

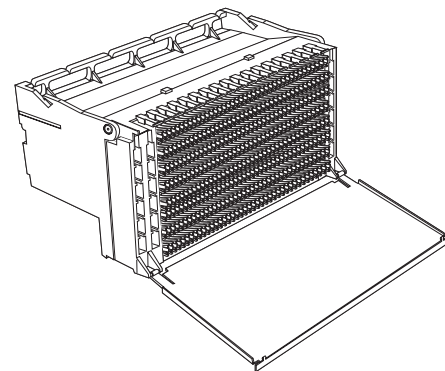
The following mounting hardware is provided with each Versablock® Rotating Terminal Connecting Block:

- Two 12-24 x 3/8 inch screws
- Four 8-32 x 5/16 inch screws
- Four 8-32 hex nuts

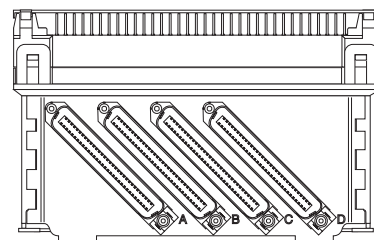
Note: A QTH38B tool is required for terminating cross-connect (jumper) wires on blocks ordered with the bifurcated quick-clip IDCs on the cross-connect field.



Versablock® Rotating Terminal Block Viewed From Jumper Side; Bifurcated Pins Shown



Versablock® Rotating Terminal Block Viewed From Jumper Side; Insulation Displacement Connection Pins Shown



Versablock® Rotating Terminal Block Bottom View; Connectorized Option Shown

Versablock® Rotating Terminal Block

BOURNS®

Specifications

Plastic Materials	Polycarbonate
Metal Parts	
Wire-wrap Terminals	Brass
IDC Terminals	Phosphor bronze
Plating	Hard, bright tin
Non-Connectorized Cable Connections	
Terminations	Wire-wrap
Cross-Connect (Jumper) Connections	
Terminations	Wire-wrap or IDC; contact resistance <1 milliohm change over product life
Dielectric Strength	2000 VDC
Insulation Resistance	>500 megohms
Environmental Conditions	For indoor use
Temperature Characteristics	-4 °F to +113 °F (-20 °C to +45 °C)
Practices	P0694232

Packaging Specifications

Standard Package	10 modules
Dimensions (H x W x D)	767.08 x 304.8 x 411.48 mm (30.2 x 12.0 x 16.2 in.)
Weight	11.7 kg (26.5 lbs.)

How to Order

Choose the Versablock® Rotating Terminal Block configuration that meets your requirements. The type and number of connectors, number of terminal pairs and terminal type should be taken into consideration.

Product Code	Part Number	Row & Column	Terminal Type, Cross-Connect	Terminal Type, Equipment	Applications
130-A4128L001	A0337920	8x32	128-pair bifurcated wire-wrap	Four 64-pin connectors (male)	DMS-100: lines
130-A4128W001	A0337925	8x32	128-pair single wire-wrap	Four 64-pin connectors (male)	DMS-10: lines; DMS-100: lines; GTD-5: misc.
130-A4128W002	A0337926	8x32	128-pair single wire-wrap	Four 64-pin connectors (male)	DMS-10: lines; DMS-100: trunks/ lines
130-A4128L011	A0337923	8x32	128-pair bifurcated wire-wrap	Four 64-pin connectors (male)	DMS-10: lines; DMS-100: lines
130-A4128W011	A0337928	8x32	128-pair single wire-wrap	Four 64-pin connectors (male)	DMS-100: lines
130-N0128L001	A0337625	8x32	128-pair bifurcated wire-wrap	Bifurcated wire-wrap	DMS-100: misc.; AT&T: trunk/lines/ special services
130-N0128W001	A0337626	8x32	128-pair single wire-wrap	Bifurcated wire-wrap	DMS-100: misc.; AT&T: trunk/toll/ special services
130-D5125W027	A0348396	8x32	125-pair single wire-wrap	Five 50-pin connectors (male)	-
130-D5120L005	A0337946	8x30	120-pair bifurcated wire-wrap	Five 50-pin connectors (male)	DMS-10: trunks/ peripheral equipment
130-D5120W005	A0389337	8x30	120-pair single wire-wrap	Five 50-pin connectors (male)	-

Note: Order by Part Number.

Specifications are subject to change without notice.
Customers should verify actual device performance in their specific applications

How to Order (Continued)

Product Code	Part Number	Row & Column	Terminal Type, Cross-Connect	Terminal Type, Equipment	Applications
130-N0120W020	A0337624	8x30	120-pair single wire-wrap	Bifurcated wire-wrap	AT&T: SMAS
130-D4100W012	A0355744	8x25	100-pair single wire-wrap	Four 50-pin connectors (male)	–
130-D4100L019	A0340090	8x25	100-pair bifurcated wire-wrap	Four 50-pin connectors (male)	–
130-D4100W019	A0397592	8x25	100-pair single wire-wrap	Four 50-pin connectors (male)	–
130-D4100L012	A0337940	8x25	100-pair single wire-wrap	Four 50-pin connectors (male)	NT5M Digital Announcer
130-N0100L012	A0337621	8x25	100-pair bifurcated wire-wrap	Bifurcated wire-wrap	AT&T: trunk/toll/special services
130-N0100W012	A0337622	8x25	100-pair single wire-wrap	Bifurcated wire-wrap	GTD-5: misc.; AT&T: trunk/toll/special services
130-D4096W015	A0337937	8x24	96-pair single wire-wrap	Four 50-pin connectors (male)	GTD-5: lines/misc.
130-N0096L013	A0337619	6x32	96-pair bifurcated wire-wrap	Bifurcated wire-wrap	–
130-N0096W013	A0333143	6x32	96-pair single wire-wrap	Bifurcated wire-wrap	–
130-N0096W014	A0333145	8x24	96-pair single wire-wrap	Bifurcated wire-wrap	–
QBB66QN8X32	A0330675	8x32	128-pair bifurcated quick-clip IDC	Bifurcated wire-wrap	–
QBB66QP8X32H4-00	A0330680	8x32	128-pair bifurcated quick-clip IDC	Four 64-pin connectors (male)	–
QBB66QP125SF5-42	A0393336	–	125-pair bifurcated quick-clip IDC	Five 50-pin connectors (male)	DMS-1U
QBB66QP6X40F6-39	A0375245	6x40	120-pair bifurcated quick-clip IDC	Six 50-pin connectors (male)	Wescom 931ERS
QBB66QN8X25	A0390886	8x25	100-pair bifurcated quick-clip IDC	Bifurcated wire-wrap	–
QBB66QN5X40	A0330673	5x40	100-pair bifurcated quick-clip IDC	Bifurcated wire-wrap	–
QBB66QP5X40F4-00	A0410440	5x40	100-pair bifurcated quick-clip IDC	Four 50-pin connectors (male)	–

Note: Order by Part Number.