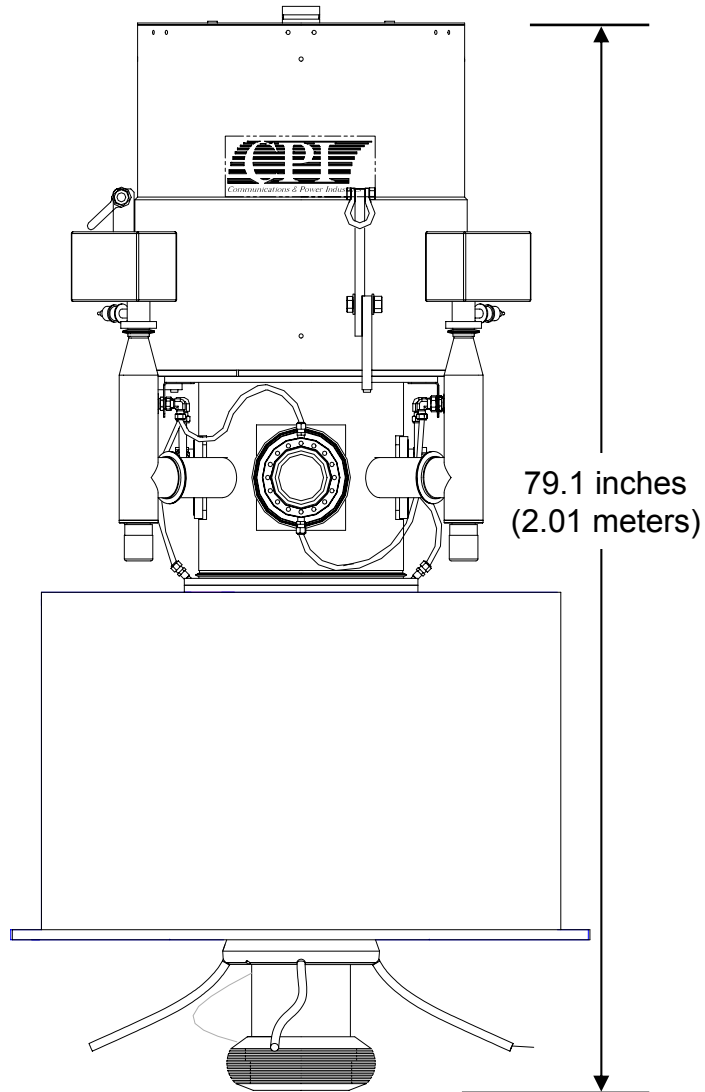


# VGB-8084A Gyrotron Oscillator



CPI gyrotrons were the first commercially available high-power, long-pulse/CW, high-frequency devices for plasma fusion experiments and other scientific and industrial applications. CPI-MPP provides an extensive line of gyrotrons that cover frequencies from 28-140 GHz with power levels ranging from 10 kW to 1.3 MW.

The VGB-8084A gyrotron delivers output power levels up to 600 kW at a frequency of 84 GHz.

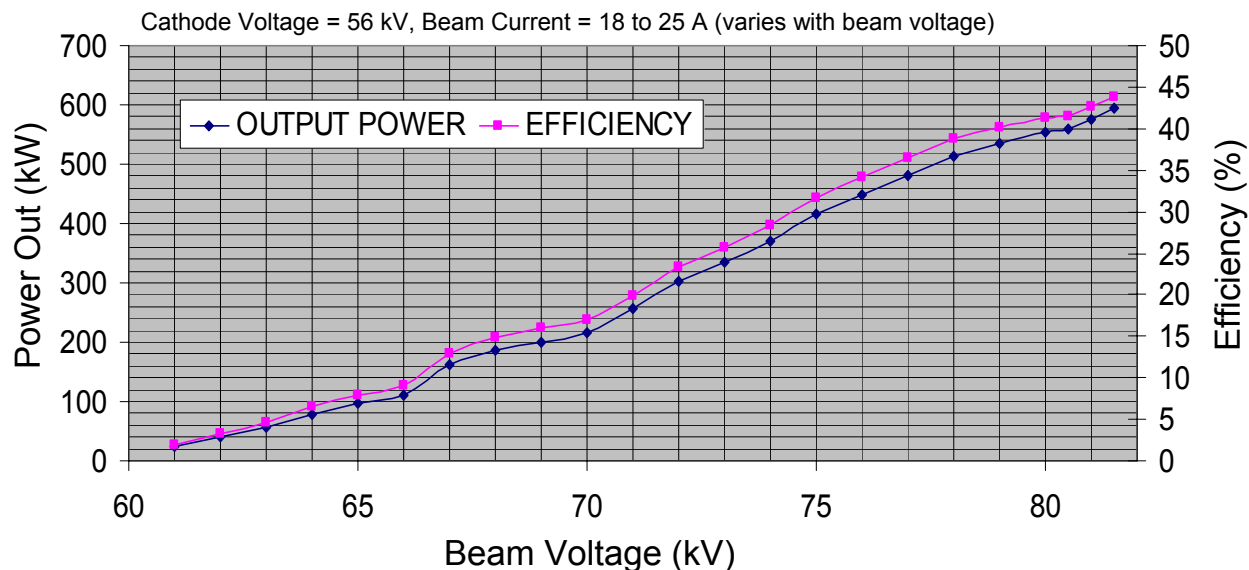


For additional information on gyrotrons, other CPI products, or a copy of our catalog-on-disk, please contact:  
CPI Microwave Power Products, 811 Hansen Way, Palo Alto, CA 94303-0750  
Telephone: 650-846-3172, Fax: 650-856-0705, Email: [marketing@cpii.com](mailto:marketing@cpii.com)

# VGB-8084A Gyrotron Oscillator



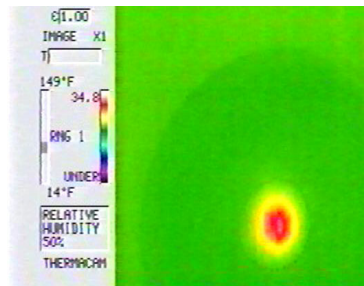
## Power & Efficiency vs. Beam Voltage



*CVD Diamond Output Window*



*Infrared Image of Beam at Output Window*



### Features

- Gaussian Output Beam
- CVD Diamond Output Window
- Diode Electron Gun
- Single-Stage Depressed Collector
- Long Hold-Time Superconducting Magnet

### Typical Operating Parameters

Power Output	600 kW
Pulse Length	2 sec
Cathode Voltage	-60 kV
Body Voltage	+20 kV
Beam Current	25 A
Frequency	84±0.2 GHz
Efficiency	40%
Gyrotron Weight	1800 lbs
Output Mode	TEM <sub>00</sub>

For additional information on gyrotrons, other CPI products, or a copy of our catalog-on-disk, please contact:  
 CPI Microwave Power Products, 811 Hansen Way, Palo Alto, CA 94303-0750  
 Telephone: 650-846-3172, Fax: 650-856-0705, Email: [marketing@cpil.com](mailto:marketing@cpil.com)