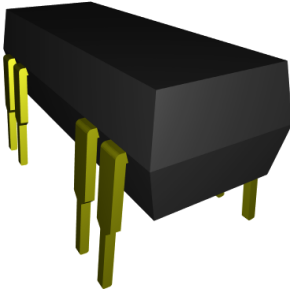


# 110D Form A Series

DIP



## PRODUCT DESCRIPTIONS

The 110D Form A Series is an industrial standard DIP relay, which has long been used by a wide range of industrial applications.

## SPECIFICATIONS



<b>110D Form A Series</b>		<b>110D-1A□0D0</b>		<b>110D-2A□0D0</b>		
Parameters	Units	1 Form A		2 Form A		Test Conditions
<b>Coil Specifications</b>						
Nominal Coil Voltage	VDC	5.0	12.0	5.0	12.0	
Coil Resistance	Ω	500	1000	140	500	±10% @ 20°C
Operate Voltage	VDC Max	3.75	8.8	3.75	8.8	@ 20°C
Release Voltage	VDC Min	0.7	1.2	0.7	1.2	@ 20°C
<b>Contact Ratings</b>						
Switching Voltage	Volts	100				Max DC/Peak AC resistance
Switching Current	Amps	0.5				Max DC/Peak AC resistance
Carry Current	Amps	1.0				Max DC/Peak AC resistance
Contact Rating	Watts	10				Max DC/Peak AC resistance
Life Expectancy	x10 <sup>6</sup> Cycle	1000				@ 1V 10mA
Contact Resistance	mΩ	150				Max initial @ operate voltage
Contact Resistance Stability	mΩ	5.0				Max initial @ operate voltage
<b>Relay Specifications</b>						
Insulation Resistance	Ω Min	10 <sup>10</sup>				Between all isolated pins @ 100V 20°C 65%RH
Dielectric Strength	VDC Min	200				Between contacts
	VDC Min	500				Contacts to coil
Operate Time (Including Bounce)	msec Max	1.0				@ nominal coil voltage
Release Time	msec Max	1.0				100 Hz square wave Diode suppression
<b>Measurement Reference Conditions</b>				<b>Environmental Ratings</b>		
Temp: 15°C to 35°C Humidity: 25% to 75%RH Atmospheric Pressure: 860 to 1060hpa				Storage temp: -40°C to +85°C Operate temp: -20°C to +80°C Vibration: 20G's to 2000Hz Shock: 50G's		

### Ordering Code:

#### 110D-1A□0D0

□=1 (5.0VDC), 2(12.0VDC)

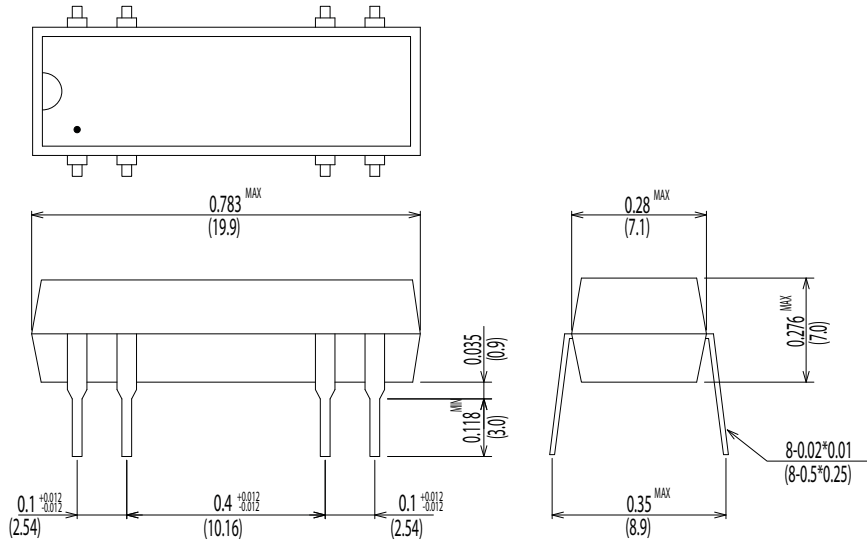
#### 110D-2A□0D0

□=1 (5.0VDC), 2(12.0VDC)

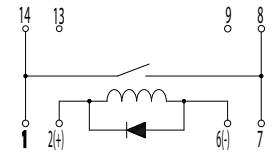
**Dimensions** All Dimensions are inches (mm)

**Schematic <Top View>**

**110D-1A□0D0/110D-2A□0D0**



**110D-1A□0D0**



**110D-2A□0D0**

