



Power Supplies

Plug-in LINEAR REGULATED

- single output models
- wide adjust output models

AC-DC



- Shipped Within 3 Days
- All models U.L. Recognized
- Five Year Warranty

Don't forget these facts about Acopian....

1. We ship within 3 Days (see our 3 Day Shipping Promise below).
2. Acopian power supplies last a *very long time*.
3. The Voltage Finder is the quickest way to find a power supply with the specs you need.
4. The Online System builder (www.acopian.com/SystemBuilder) is a convenient way to get your own custom Power System (and they ship within 9 Days).
5. You always talk to a real person when you call Acopian.
6. You can order your Acopian power supplies factory direct.
7. You can order your Acopian power supplies online.
8. All Acopian products are made in the USA.



Acopian Technical Company • Easton, PA
 1-800-523-9478 • www.acopian.com
 Order Factory Direct   
 Made in USA 



Plug-in SINGLE OUTPUT & WIDE ADJUST OUTPUT

LINEAR REGULATED
AC-DC

- Shipped Within 3 Days
- All Models U.L. Recognized
- Five Year Warranty

An Acopian Plug-in power module can be installed in a matter of seconds. Simply plug it into a standard octal socket. (Threaded mounting holes are provided in the base for fastening the module when used in other than the upright position, or if subject to extreme vibration.) To replace a module - for example, where added circuitry calls for a higher current rating - just unplug the old, plug in the new. And as a result of years of product refinement, your Acopian Plug-in provides the highest reliability of any available series-regulated power supply.

STANDARD FEATURES

- May be used in series
- Delivers current surges without damage - to protect against prolonged overload and shorts, use of an input fuse is recommended
- No derating or additional heat sinking required
- Completely serviceable
- Lightweight

SPECIFICATIONS

Input Voltage: 105-125 VAC, 50-400 Hz, single phase.

Output Specifications: See table.

Polarity: Output floating; either positive or negative terminal may be grounded or floated up to 300 volts above ground.

Temperature Coefficient: 0.02%/°C (Typical).

Ambient Operating Temperature: -10 to +65°C.
No derating required.

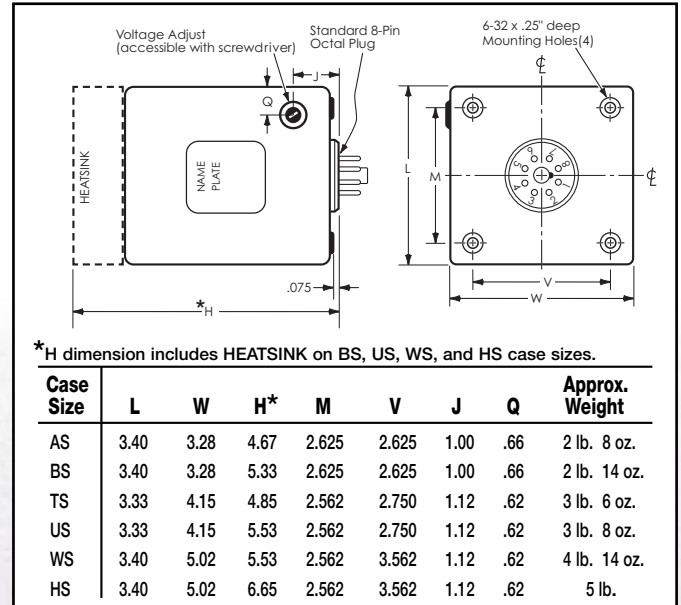
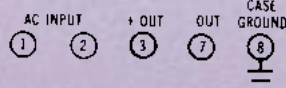
MIL Tested and Extended Temperature Range:
See page 81.

Storage Temperature: -55 to +85°C.

Installation: Plugs into standard 8-pin octal socket (see page 81). Four mounting holes (6-32) are provided in the base for fastening the module when used in other than the upright position, or if extreme vibration will be encountered.

PIN CONNECTIONS:

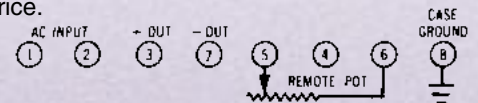
Standard model.



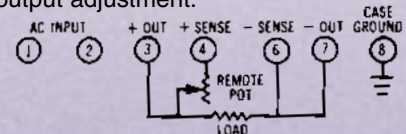
OPTIONS

Solder Terminals: All models can be furnished with solder terminals instead of the octal type plug. Contact factory or see web site for detailed information.

Remote Output Adjustment: All models have a local voltage adjustment. When provision for remote (external) adjustment is also desired, add prefix "E" to model number. Example: Model 12J100 becomes Model E12J100. No increase in price.



Remote Sensing: Provision for remote sensing of the output voltage to compensate for drops in the load lines can be furnished at an additional charge of \$10.00 per unit. Add prefix "R" to model number when ordering. "R" power supplies have a local voltage adjustment and provision for remote (external) output adjustment.



230 Volt Input: All models can be alternately furnished for operation on inputs of 210 to 250 VAC, 50-400 Hz. Add suffix "-230" to model number and \$25.00 to price. The "-230" option requires two additional days.

Overvoltage Protection: An internal preset overvoltage protector is available. To order, add prefix "V" to the model number, and add \$25.00 to the standard price of models with outputs of 1 to 70 volts; \$35.00, for 75 to 200 volt outputs.

SINGLE OUTPUT PLUG-IN

Nominal Output Voltage	Adjust Range $\pm V$	Output Current Amps.	Regulation		Ripple mV RMS	(\$) Price	Model	Case Size
			Load $\pm \%$	Line $\pm \%$				
1	.25	.100	.25	.05	0.5	\$145	1J10	AS
1.5	.5	.750	.7	.05	1	\$170	1.5J75	AS
2.5	.5	.750	.7	.05	1	\$170	2.5J75	AS
3.3	.5	.750	.7	.05	1	\$170	3.3J75	AS
3.3	.5	1.0	.5	.05	1	\$185	3.3J100	AS
3.3	.5	1.5	.5	.05	1	\$200	3.3J150	US
3.3	.5	2.0	.5	.05	1	\$220	3.3J200	WS
3.3	.5	3.0	.5	.05	1	\$245	3.3J300	WS
3.3	.5	4.0	.5	.05	1	\$270	3.3J400	HS
4	1	.750	.4	.05	1	\$170	4J75	AS
4	.5	1.0	.5	.05	1	\$185	4J100	AS
5	1	.750	.4	.05	1	\$170	5J75	AS
5	.5	1.0	.5	.05	1	\$185	5J100	AS
5	.5	1.5	.4	.05	1	\$200	5J150	US
5	.5	2.0	.5	.05	1	\$220	5J200	WS
5	.5	3.0	.5	.05	1	\$245	5J300	WS
5	.5	4.0	.5	.05	1	\$270	5J400	HS
5	.5	5.0	.7	.05	1	\$290	5J500	HS
6	1	.400	.15	.05	1	\$160	6J40	AS
6	1	.750	.3	.05	1	\$170	6J75	AS
6	1	1.0	.3	.05	1	\$185	6J100	AS
6	.5	2.0	.3	.05	1	\$220	6J200	WS
6	.5	3.0	.5	.05	1	\$245	6J300	WS
6	.5	4.0	.5	.05	1	\$270	6J400	HS
6	.5	5.0	.7	.05	1	\$290	6J500	HS
8	1	.750	.2	.05	1	\$170	8J75	AS
8	1	1.0	.2	.05	1	\$190	8J100	AS
9	1	.750	.15	.05	1	\$170	9J75	AS
9	1	1.0	.2	.05	1	\$190	9J100	AS
9	1	1.5	.3	.05	1	\$220	9J150	US
9	.5	2.0	.2	.05	1	\$250	9J200	WS
10	1	.750	.15	.05	1	\$170	10J75	AS
10	1	1.0	.2	.05	1	\$190	10J100	AS
10	1	1.5	.25	.05	1	\$220	10J150	US
10	.5	2.0	.15	.05	1	\$250	10J200	WS
10	.5	3.0	.25	.05	1	\$290	10J300	HS
12	1	.750	.15	.05	1	\$170	12J75	AS
12	1	1.0	.1	.05	1	\$190	12J100	AS
12	1	1.5	.2	.05	1	\$220	12J150	US
12	.5	2.0	.1	.05	1	\$250	12J200	WS
12	.5	3.0	.25	.05	1	\$290	12J300	HS
15	1	.400	.1	.05	1	\$160	15J40	AS
15	1	.750	.15	.05	1	\$170	15J75	AS
15	1	1.0	.15	.05	1	\$190	15J100	AS
15	1	1.5	.2	.05	1	\$220	15J150	US
15	.5	2.0	.1	.05	1	\$250	15J200	WS
15	.5	3.0	.25	.05	1	\$290	15J300	HS
16	1	.400	.1	.05	1	\$160	16J40	AS
16	1	.750	.15	.05	1	\$170	16J75	AS
16	1	1.0	.15	.05	1	\$190	16J100	AS
18	1	.400	.1	.05	1	\$160	18J40	AS
18	1	.750	.15	.05	1	\$170	18J75	AS
18	1	1.0	.15	.05	1	\$190	18J100	US
18	.5	2.0	.1	.05	1	\$250	18J200	WS
20	1	.400	.1	.05	1	\$160	20J40	AS
20	1	.750	.15	.05	1	\$170	20J75	AS
20	1	1.5	.2	.05	1	\$220	20J150	WS
20	.5	2.0	.1	.05	1	\$250	20J200	WS
22	1	.400	.1	.05	1	\$160	22J40	AS
22	1	.750	.15	.05	1	\$170	22J75	AS
22	1	1.0	.15	.05	1	\$190	22J100	US
22	1	1.5	.2	.05	1	\$220	22J150	WS
22	.5	2.0	.1	.05	1	\$250	22J200	WS
24	1	.400	.05	.05	1	\$160	24J40	AS
24	1	.750	.1	.05	1	\$170	24J75	AS
24	1	1.0	.1	.05	1	\$190	24J100	US
24	1	1.5	.15	.05	1	\$220	24J150	WS
24	.5	2.0	.1	.05	1	\$250	24J200	WS
25	1	.400	.05	.05	1	\$160	25J40	AS
25	1	.750	.1	.05	1	\$170	25J75	AS
25	1	1.0	.1	.05	1	\$190	25J100	US
25	1	1.5	.15	.05	1	\$220	25J150	WS
25	.5	2.0	.1	.05	1	\$250	25J200	WS
28	1	.400	.05	.05	1	\$160	28J40	AS
28	1	.500	.05	.05	1	\$165	28J50	AS
28	1	.750	.1	.05	1	\$175	28J75	TS
28	1	1.0	.1	.05	1	\$195	28J100	US
28	1	1.5	.15	.05	1	\$225	28J150	WS
28	.5	2.0	.1	.05	1	\$260	28J200	WS
30	1	.400	.05	.05	1	\$160	30J40	AS
30	1	.500	.05	.05	1	\$170	30J50	AS
30	1	.750	.1	.05	1	\$185	30J75	TS
30	1	1.0	.1	.05	1	\$200	30J100	US
30	1	1.5	.15	.05	1	\$235	30J150	WS
30	.5	2.0	.1	.05	1	\$265	30J200	WS

Nominal Output Voltage	Adjust Range $\pm V$	Output Current Amps.	Regulation		Ripple mV RMS	(\$) Price	Model	Case Size
			Load $\pm \%$	Line $\pm \%$				
32	1	.300	.05	.05	1	\$165	32J30	AS
32	1	.500	.05	.05	1	\$175	32J50	AS
32	1	.600	.1	.05	1	\$185	32J60	TS
32	1	1.0	.1	.05	1	\$200	32J100	US
32	1	1.5	.1	.05	1	\$235	32J150	WS
34	1	.500	.05	.05	1	\$175	34J50	AS
35	1	.500	.05	.05	1	\$175	35J50	AS
36	1	.300	.05	.05	1	\$165	36J30	AS
36	1	.500	.05	.05	1	\$175	36J50	AS
36	1	.600	.1	.05	1	\$185	36J60	TS
36	1	.800	.1	.05	1	\$195	36J80	TS
36	1	1.0	.2	.05	1	\$210	36J100	US
36	1	1.5	.1	.05	1	\$240	36J150	WS
38	1	.500	.05	.05	1	\$185	38J50	AS
38	1	1.0	.2	.05	1	\$215	38J100	US
40	1	.300	.05	.05	1	\$170	40J30	AS
40	1	.400	.1	.05	1	\$185	40J40	AS
40	1	.600	.1	.05	1	\$195	40J60	TS
40	1	1.0	.2	.05	1	\$220	40J100	US
42	1	.400	.1	.05	1	\$175	42J40	AS
42	1	.600	.15	.05	1	\$200	42J60	TS
45	1	.400	.1	.05	1	\$190	45J40	AS
45	1	.600	.15	.05	1	\$210	45J60	TS
48	1	.300	.05	.05	1	\$185	48J30	AS
48	1	.400	.1	.05	1	\$195	48J40	AS
48	1	.600	.15	.05	1	\$220	48J60	TS
50	1	.300	.05	.05	1	\$190	50J30	AS
50	1	.500	.1	.05	1	\$220	50J50	TS
55	1	.200	.05	.05	1	\$175	55J20	AS
60	1	.200	.05	.05	1	\$190	60J20	AS
60	1	.300	.05	.05	1	\$200	60J30	AS
60	1	.400	.05	.05	1	\$220	60J40	TS
65	1	.100	.05	.05	1	\$175	65J10	AS
65	1	.300	.05	.05	1	\$210	65J30	AS
70	1	.200	.05	.05	1	\$195	70J20	AS
70	1	.300	.05	.05	1	\$215	70J30	AS
75	1	.200	.05	.05	1	\$210	75J20	AS
80	1	.200	.05	.05	1	\$215	80J20	AS
90	1	.100	.05	.05	1	\$195	90J10	AS
90	1	.200	.05	.05	1	\$220	90J20	AS
95	1	.100	.05	.05	1	\$200	95J10	AS
95	1	.200	.05	.05	1	\$225	95J20	AS
100	1	.100	.05	.05	1	\$215	100J10	AS
100	1	.200	.05	.05	1	\$240	100J20	AS
105	1	.100	.05	.05	1	\$215	105J10	AS
105	1	.200	.05	.05	1	\$240	105J20	AS
110	1	.100	.05	.05	1	\$220	110J10	AS
110	1	.200	.05	.05	1	\$245	110J20	AS
120	1	.100	.05	.05	1	\$235	120J10	AS
120	1	.200	.05	.05	1	\$260	120J20	AS
125	1	.100	.05	.05	1	\$235	125J10	AS
125	1	.200	.05	.05	1	\$260	125J20	AS
130	1	.100	.05	.05	1	\$240	130J10	AS
130	1	.200	.05	.05	1	\$265	130J20	AS
140	1	.200	.05	.05	1	\$270	140J20	AS
150	1	.050	.05	.05	1	\$220	150J05	AS
150	1	.200	.05	.05	1	\$270	150J20	AS
200	1	.100	.05	.05	1	\$265	200J10	AS

WIDE ADJUST OUTPUT

Shown below is a partial listing of models with increased voltage adjustment ranges. Contact the factory for information on other models.

Output Voltage Range	Output Current Amps.	Regulation		Ripple mV RMS	(\$) Price	Model	Case Size
		Load $\pm \%$	Line $\pm \%$				
2 to 30	.300	.5	.05	1	\$165	J230	AS
3 to 15	.400	.5	.05	1	\$165	J315	BS
4 to 10	1.5	.5	.05	1	\$260	J410	US
5 to 15	2.0	.5	.1	5	\$300	J515	HS
5 to 25	.100	.1	.05	1	\$160	J525	AS
6 to 30	.200	.1	.05	1	\$165	J630	AS
10 to 18	.600	.3	.05	1	\$175	J1018	BS
10 to 40	.200	.1	.05	1	\$170	J1040	AS
15 to 25	.500	.1	.05	1	\$190	J1525	BS
15 to 30	.300	.1	.05	1	\$190	J1530	BS
16 to 24	.750	.15	.05	1	\$195	J1624	BS
18 to 30	.400	.1	.05	1	\$185	J1830	BS
20 to 28	.500	.1	.05	1	\$190	J2028	BS
23 to 32	1.0	.15	.05	1	\$220	J2332	US
24 to 32	.500	.1	.05	1	\$165	J2432	BS
24 to 40	.400	.1	.05	1	\$190	J2440	BS
24 to 50	.250	.1	.05	1	\$165	J2450	AS
28 to 60	.250	.1	.05	1	\$220	J2860	BS
30 to 70	.300	.1	.05	1	\$250	J3070	BS

MIL TESTED and EXTENDED TEMP RANGE (for Plug-in models on pages 84-87)

SHIPPED WITHIN 3 DAYS
ALL MODELS U.L. RECOGNIZED

Ruggedized construction and capability for operation through an extended ambient temperature range of -20 to $+71^{\circ}\text{C}$ (without derating) are provided by Acopian MIL-option supplies. In all other respects they are identical to our standard Plug-in power supplies.

HOW TO ORDER:

Add prefix "MIL-" to standard model number and \$15.00 to price of single output models; \$30.00 to price of dual output models. Example: Model 6J200 becomes MIL-6J200. Price becomes \$175.00 plus \$15.00; or \$190.00 total.

MIL-option equivalents to all the models included on pages 84 through 87, except those housed in case size HS, have been tested to these specifications:

ALTITUDE: MIL-STD-810B, Method 500, Procedure II.

VIBRATION: MIL-STD-810B, Method 514, Procedure I, Curve D.

SHOCK: MIL-STD-810B, Method 516, Procedure I.

FUNGUS: (additional \$25.00/output charge applies.) MIL-STD-810B, Method 508, Procedure I.

CONDUCTED EMI: MIL-I-6181D, Paragraph 4.3.1., Figure II.

RADIATED EMI: MIL-I-6181D, Paragraph 4.3.2.

SUSCEPTIBILITY TO CONDUCTED AND RADIATED EMI: MIL-I-6181D, Paragraph 4.3.4.

HIGH TEMPERATURE: MIL-STD-810B, Method 501, Procedure I.

LOW TEMPERATURE: MIL-E-5272C, Paragraph 4.2.2, Procedure II.

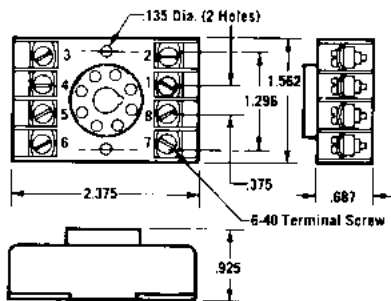
HUMIDITY: MIL-STD-810B, Method 507, Procedure I.

SALT FOG: MIL-STD-810B, Method 509, Procedure I.

ACCESSORY SOCKETS (for Plug-in models on pages 82-88)

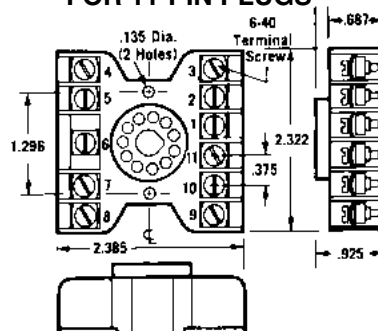
RETMA-numbered screw-type terminals simplify wiring and permit the use of wire terminals or bare wire, 12 to 20 gauge. Rated at 300 volts RMS, 10 Amp.

FOR 8-PIN PLUGS

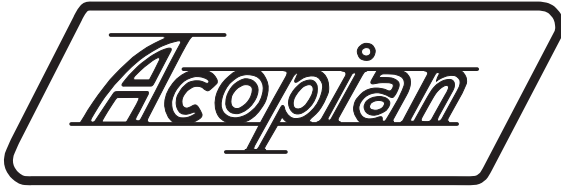


Model SL608..... \$10

FOR 11-PIN PLUGS



Model SL611..... \$15



“Whenever I need a power supply for any project, I always check Acopian first. Your customer service is first rate, and I really like the fast, dependable shipping. The reliability of your products is an additional bonus – they seem to last forever.”

- Gudrun Kleist, Engineering Associate
Lawrence Berkeley National Laboratory

About Acopian’s 3 Day Shipment Guarantee:

In 1964, Acopian initiated its “3 Day Shipping Guarantee.” Since then our product offerings have expanded to include many more lines of power supplies that ship within 3 Days as well as others that ship within 6 or 9 Days. These guarantees apply to every model in the Acopian catalog.

Our unique 3-day shipping guarantee has prompted many questions. Below are some of those most often asked:

What does Acopian’s 3-day shipping promise mean?

It means that power modules listed in this catalog are shipped within 3 days after we receive your order. High Voltage, Redundant, Rack Mounting, Systems and certain Switching power supplies are shipped within 9 days.

Has Acopian ever failed to meet this promise?

Never.

Do options affect shipping time?

The 230 volt input option and moisture/fungus-proofing option require two additional days. All other options do not affect shipping time.

Is the 3-day promise affected by quantity? Suppose we need 50 or 100 pieces?

The 3-day promise applies to orders for five or less modules. (Two or less for 9-day items). If requested, Acopian will ship five pieces of a larger order in 3 days and, with consideration of your requirement, schedule the balance. (Since each shipment is processed and priced as a separate order, for lowest prices request shipment in one lot.)

What if I need four or five different models? Does the 3-day promise still apply?

Yes. Guaranteed 3-day shipment applies to one model or to a combination of models.

Do I have to ask for 3-day shipment of my order?

3-day shipment is automatic. In fact, you must tell us if you want the shipment delayed.

How long after you ship will I have the power supplies?

Transportation time varies with the carrier used. Unless otherwise requested, Acopian ships small orders by UPS Ground.

You say Acopian has never failed to meet the 3-day promise. How do you do it?

Our facilities have been designed and equipped to meet our 3-day shipment promise. When your order is received, your power supplies are built specifically for you and shipped within three days. We do not ship from stock. (For this reason, we are unable to accept returns for credit.)

I’ve seen other power supply manufacturers advertise “same-day shipment.” Isn’t that better than 3-day shipment?

A typical vendor’s “same-day shipment” advertisement can only be fulfilled if the power supplies you need are in stock. Otherwise, a four to six week delay is not unusual before inventory is replenished and your order is shipped.

Acopian’s 3-day shipment promise applies to ALL 3 Day models (larger units ship within 9 Days) and is not dependent on the quantity in stock. We build each unit after the order for that unit is received. If an order is needed faster, often times we can ship in less than 3 days.

If you require shipment even earlier than our standard promise, just let us know, we can usually ship sooner. We welcome the opportunity to work with you.

ACOPIAN...

...answers your phone call with a live salesperson

No automated menus. The person who answers your call will courteously and promptly answer your questions, quote price and delivery, expedite your urgent requirements, and offer you immediate access to our engineers.

Call toll free 800-523-9478.

...can customize power supplies for you

If a standard power supply does not meet all of your requirements, speak with one of our engineers. We can often modify the specifications, ratings and configuration of a supply. We can also combine several power supplies into a Multiple Output Power System with the operating features you specify (such as meters and switches) and ship it within 9 Days!

...has a 5-year warranty

This is typical: One of our customers sent us an old power supply with a note indicating that the supply had been in continuous use since 1972 (33 years!), but he had recently noticed that the output voltage was low. We found that the capacitors had dried up, replaced them and returned the supply to the customer, who thanked us and said he intends to keep using it. We focus on making power supplies that will last a long time. There are power supplies that cost less than ours, or that are smaller than ours, but you won’t find any that last longer than ours. All too often, low-priced supplies are densely packed, run hot, have short lifetimes and short warranties. All Acopian metal-cased power products have a 5-year warranty, but you can expect them to last a lot longer.

Purchase Acopian... 3-day shipment, long lasting power supplies, and unsurpassed customer service.

“In my business, Acopian is referred to as bulletproof. It never fails and lasts forever.”

- Steve Andrews, President
Technical Options, Inc.

“If Acopian made automobiles, I’d buy one without question.”

- David A. Price, Research Technologist
Georgia Tech Research Institute

ORDERING INFORMATION & Terms and Conditions

ACOPIAN SELLS FACTORY DIRECT WORLDWIDE: We do not use representatives or distributors. Contact Acopian for technical information or a quote.

WARRANTY: Acopian power supplies are warranted to be free from defects in material and workmanship for a period of five years (encapsulated devices, for one year) from date of original shipment. Acopian's obligation under this warranty is limited to repairing any power supply returned to the factory Service Department in Easton, PA and replacing any defective parts. Mini Encapsulated power supplies are not repairable. Authorization must be obtained from Acopian before a power supply may be returned for repair. Units must be well packed when shipping to Acopian; the repair of any damage incurred during shipment will be charged. Transportation charges are to be paid by the purchaser. A reinspection and handling charge will be applied to returned units found to have no defects. If a failure has been caused by misuse, operation in excess of specifications, or modification by the customer, repairs will be billed at cost; in such cases, a cost estimate will be submitted before work is started.

Acopian reserves the right to make changes or improvements in its products without incurring any obligation to install the same on products previously manufactured.

This warranty is in lieu of all other warranties, obligations, and liabilities, expressed or implied, and is the purchaser's exclusive remedy. Acopian makes no warranty, either express or implied, of merchantability, fitness for a particular purpose or otherwise. In no event shall Acopian be liable whether in contract, tort, or negligence, for special, indirect, incidental or consequential damages of any kind, including loss of business or profits, or any other losses incurred by the purchaser or any third party, the Customer's remedies being limited, at Acopian's option, to replacement, repair or credit at the price on the date of claim.

The validity, performance and construction of all terms and conditions and any sale made by Acopian shall be determined by the law of Pennsylvania, without regard to its conflict of law principles, and all parties to the transaction expressly consent to the jurisdiction of such courts and consent to the venue of the Court of Common Pleas for Northampton County, Pennsylvania.

PRICES: The prices shown are F.O.B. our factory; Easton, PA. or Melbourne, FL.. All prices and specifications are subject to change without notice. Minimum order is \$50.00.

TERMS: Net 30 days, subject to credit approval. Visa, MasterCard and American Express also accepted.

SHIPPING: Location permitting, small shipments are made by United Parcel Service, or by Parcel Post; larger shipments, by insured motor freight collect. Shipments can be made by air upon request. Risk of loss shall be F.O.B. Our Factory, even in cases where freight may be prepaid or allowed to destination by Acopian. If equipment is received in damaged condition, it is the customer's responsibility to contact the carrier and file a claim for damages.

TIME FOR DELIVERY: The time for delivery quoted by Acopian is the time required to ship from our plants. We will not be liable for delays in delivery caused by any reason beyond our control, including but not limited to acts of God, casualty, civil disturbance, labor disputes, transportation or supply difficulties, or any interruption of our facilities, and the quoted time for delivery shall be extended during the continuance of such conditions and for a reasonable time thereafter. In no event will Acopian be liable for any premium transportation, procurement, or similar costs incurred by the Customer as a result of conditions beyond Acopian's control resulting in Acopian's inability to deliver product in accordance with customer's requested delivery schedules.

QUANTITY DISCOUNTS: Discounts are available to quantity buyers and are dependent upon the order quantity and the manufacturing scheduling anticipated by the order, and apply only to the quantity and delivery ordered. Partial shipments are considered as separate orders for discounting purposes.

EXPORT ORDERS: A minimum export documentation charge of \$60.00 applies. (A minimum charge of \$25.00 applies on orders requiring customs forms for Canadian orders and for orders to certain U.S. territories.)

MOISTURE/FUNGUS PROOFING: Power supplies can be furnished with a moisture and fungus resistant varnish applied to interior surfaces. To order, add the suffix letter F to the model number. The additional cost is \$25.00 per output and requires two additional days. Not available on High Voltage, Mini Encapsulated, Rack Mounting, and Gold Box Switching models.

TAGGING: Maximum of 15 characters/spaces. Add \$10.00 to price.

TEST DATA: Cost, \$35.00 or 2% of order, whichever is greater.

SPECIAL MODELS/MODIFICATIONS: Cataloged models can be altered at the factory to meet special requirements. Contact the Applications Engineering Department to discuss your needs.

PARTS: The designs used in Acopian power supplies utilize standard components to the greatest practical extent. When replacements are required, the types originally used, or their equivalents, can usually be obtained most quickly from a local electronic components distributor.

Special components, such as transformers, are stocked at the factory warehouses. Contact the Applications Engineering Department for information on the parts required, referencing the model number of the power supply, the circuit designation of the component, and a description.

PURCHASE ORDER ACCEPTANCE: Orders are accepted subject to Acopian's Terms and Conditions. Any Terms and Conditions of any Purchaser's order, agreement, or understanding which are in addition to or inconsistent with Acopian's shall not be binding upon Acopian unless made in writing and accepted over the signature of an authorized officer of Acopian. Orders shall not be considered accepted until entered into production at our plant. Acopian reserves the right to refuse any order. All typographical and clerical errors are subject to correction by Acopian.

RETURNED GOODS: Acopian products are built on a per-order basis, and ordinarily no credit can be extended for their return. No goods will be accepted for return unless authorized in writing by Acopian.

CHANGES: The customer may, by a written notice, request changes within the general scope of the order, in the drawings, designs or specifications; method of shipment; and place of delivery. If any such change causes an increase or decrease in the cost, or the time required for the processing of any part of the order, an equitable adjustment shall be made in the price or delivery schedule, or both, and the order shall be modified in writing accordingly.

CANCELLATION: Suspension or cancellation of orders may be made only upon our written approval and on terms that will indemnify us against all loss.

OVERTIME: It is anticipated that any order will be processed during regular working hours on regular working days. If for any reason the Purchaser requests Acopian to process the order, or any portion of it, outside of such regular working hours, any overtime or other additional expense occasioned thereby shall be billed to and paid by the Purchaser as an extra cost. Acopian reserves the right to decline to process the order outside regular working hours.

CUSTOMER DELAY OF WORK: If the performance of all or any part of the work is delayed or interrupted by Customer's failure to act within the time specified (or within a reasonable time if no time is specified) and such act is not expressed or implied by the order, an adjustment shall be made in the cost of performance of the order caused by such delay or interruption and the order modified in writing accordingly. Adjustment will also be made in the delivery or performance dates and any other contractual provisions affected by such delay or interruption.

GOVERNMENT SPECIFICATIONS: Pricing is based upon industrial-grade construction, marking, packing, and packaging. Exception is taken to any MIL specifications, and to any requirements for the use of special forms, documentation other than quoted, and Government Source Inspection. Acopian must decline to quote on any other basis.

APPLICATIONS ASSISTANCE: *Questions regarding the specifications, features, and use of any Acopian product should be directed to the Applications Engineering Department. A staff of power supply specialists will be pleased to assist you.*

www.acopian.com - Online Ordering and Instant Quotes Online!



Since 1957

Acopian Technical Company

P.O. Box 638, Easton, PA 18044 • Phone: (610) 258-5441 • FAX: (610) 258-2842

Call toll free: (800) 523-9478 (International: Country Code 01)

**ALL ACOPIAN
POWER SUPPLIES
MADE IN U.S.A.**



PHOTO COURTESY OF THE ICECUBE PROJECT

“At Project IceCube, it’s absolutely critical to have a good power supply. The ice must be as pure and clear as possible. If the power to the ice top sensor system were to fail, we would risk the tank water freezing without being controlled, resulting in bubbles and impurities, and very much reducing the quality of ice and quality of information that we can see with our detectors. We chose Acopian power supplies to power our pumping and degassing systems because of their reputation for reliability. The people at Acopian met all of our highly demanding specifications and, despite very little time until our window to ship to the Pole, they met our schedule. We were 100% satisfied.”

Jim Baccus
Cable System Manager
Project IceCube

(the international high-energy neutrino observatory being built and installed in the ice below South Pole Station)

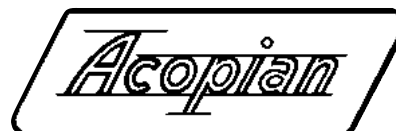
The world’s most demanding environments demand Acopian power systems.

Design your own Acopian power system online with the System Builder at www.acopian.com. Simply enter your requirements, and you’ll receive a quotation for fully wired multiple-output power systems, without the need for you to prepare mechanical layouts or search through a power supply catalog.

Each system will be completely wired, tested and shipped within 9 days after receipt of the order. Choose Acopian – the power supplies of choice for the world’s leading engineers.



ALL ACOPIAN POWER SUPPLIES
MADE IN U.S.A.



Acopian Technical Company

1-800-523-9478 • www.acopian.com