

# Proximity Magnetic Sensors Cylindrical Body, FSQ Series

CARLO GAVAZZI



- Cylindrical case
- Stainless steel or AISI303 stainless steel body
- M12 or PG 13,5 diameter
- NO, output functions
- Explosive environment versions
- Halogen free silicone cable or silicone cable with metallic sheath output connection

## Product Description

The FSQ series includes several versions in stainless steel and AISI 303 stainless steel body. The models FSQ.A.2/B01/1MT/C, FSQ.A.2/B04/1MT/C e FSQ.A.2/B03/2MT/HF/C,

for use in explosive environments, are made and encapsulated according to the "m" procedure of CEI 31-13 (EN 50028) standards and are SP certified. The output function is NO.

## Ordering Key **FSQ.A.3/A01/2MT/HF EX**

Type \_\_\_\_\_  
 Output Function \_\_\_\_\_  
 Reed Contact Type \_\_\_\_\_  
 Sheath Type \_\_\_\_\_  
 Cable Length \_\_\_\_\_  
 Cable Type \_\_\_\_\_  
 Special Applications \_\_\_\_\_

## Type Selection

External dimensions	Case material	Explosive environment applications	Output connection	Reference
M12 x 1	Stainless steel	-	Shielded halogen free cable	FSQ.A.3/A01/2MT/HF
PG 13,5	AISI 303 Stainless steel	Yes	Shielded halogen free cable	FSQ.A.2/B03/2MT/HF/C Ex
PG 13,5	AISI 303 Stainless steel	Yes	Silicone cable with metallic sheath	FSQ.A.2/B01/1MT/C Ex
PG 13,5	AISI 303 Stainless steel	Yes	Silicone cable with metallic sheath	FSQ.A.2/B04/1MT/C Ex

## General specification

Output function	NO
Protection degree	IP67
Operating temperature	-25 ÷ +75 °C

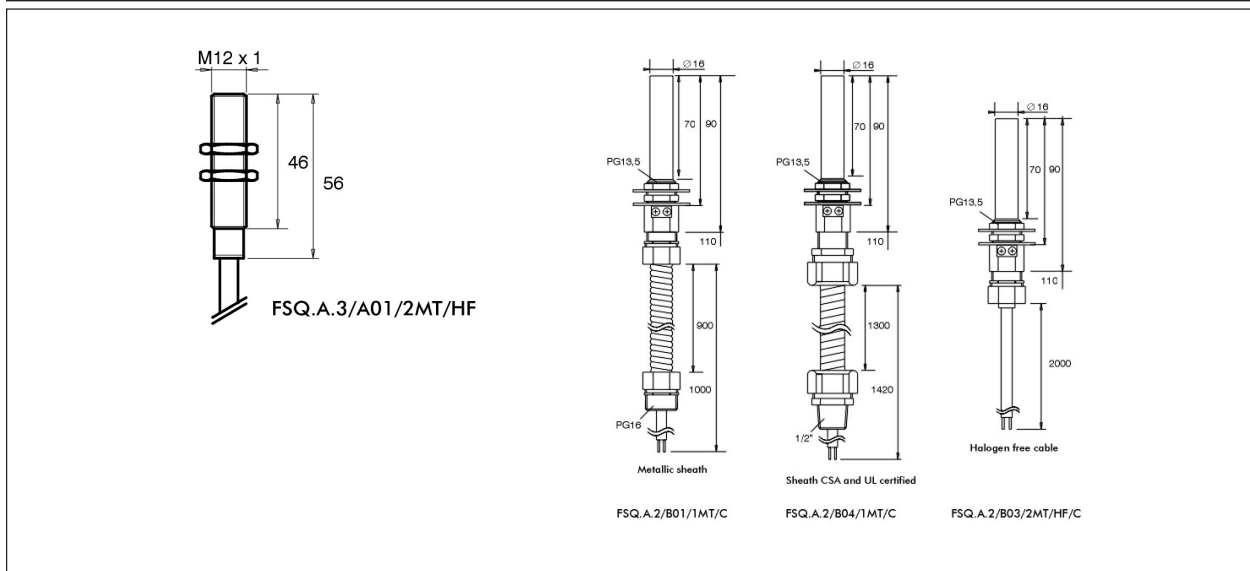
## Electrical specifications

Contacts	3	2
Max switching voltage	500 Vac	250 Vac
Max switching current	0,5 A	3 A
Max switching power	10 VA	100 VA

## Operating distance

Magnetic Units	CL.10	CL.11	CL.18	CL.20/S1	CL.20/S3	CL.23	CL.31	CL.90
FSQ.A.3/A01/2MT/HF	9	23	7	18	17	13	23	-
FSQ.A.2/B03/2MT/HF/C	-	-	-	-	8	-	-	30
FSQ.A.2/B01/1MT/C	-	-	-	-	8	-	-	30
FSQ.A.2/B04/1MT/C	-	-	-	-	8	-	-	30

## Dimensions



## Wiring Diagrams

