

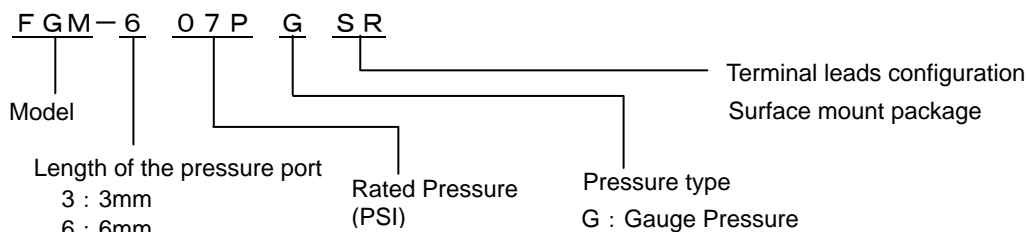
## ■ Features

Surface mount package

## ■ Applications

- Industrial instrumentation
- Pressure switch, Pneumatic device
- Medical device

## ■ Ordering Information



	Weight (grams)		Weight (grams)
	0.3		0.35

Measurable pressure range(kPa)	Part number	
	3mm pressure port	6mm pressure port
-13.79~13.79	FGM-302PGSR	FGM-602PGSR
-34.47~34.47	FGM-305PGSR	FGM-605PGSR
-48.26~48.26	FGM-307PGSR	FGM-607PGSR
-98.07~103.4	FGM-315PGSR	FGM-615PGSR
-98.07~206.8	FGM-330PGSR	FGM-630PGSR
-98.07~344.7	FGM-350PGSR	FGM-650PGSR
-98.07~482.6	FGM-370PGSR	FGM-670PGSR
-98.07~827.4	FGM-3120PGSR	FGM-6120PGSR

RoHS compliance

## ■ Specifications

Model	02PG	05PG	07PG	15PG	30PG	50PG	70PG	120PG	Unit		
<b>Recommended operating conditions</b>											
Pressure type	Gauge pressure								—		
Rated pressure	13.79	34.47	48.26	103.4	206.8	344.7	482.6	827.4	kPa		
Measurable pressure range	-13.79 ~13.79	-34.47 ~34.47	-48.26 ~48.26	-98.07 ~103.4	-98.07~ 206.8	-98.07~ 344.7	-98.07~ 482.6	-98.07~ 827.4	kPa		
Temperature range	0~50								°C		
Pressure media	Non-corrosive gases only (No liquid)								—		
Excitation current (Constant)	1.5								mADC		
<b>Absolute maximum rating</b>											
Maximum load pressure	Twice of rated pressure							1.5 times of rating pressure	—		
Maximum excitation current	3.0								mADC		
Operating temperature	-20~100								°C		
Storage temperature	-40~120								°C		
Operating humidity	30~80 (Non dew condition)								%RH		
<b>Electric characteristics (Drive Current 1.5mA constant, ambient temperature Ta=25°C)</b>											
Output span voltage	60~140 (at 0kPa~rated pressure)								mV		
Offset voltage	±20 (at 0kPa)								mV		
Bridge resistance	4000~6000								Ω		
Response time	2 (for the reference)								msec		
Accuracy	TSO*								±5	%FS/ 0~50°C	
	TCS*								±2.5		
	Linearity		±0.5			±0.3			±0.5	±0.6	%FS
	Pressure hysteresis		±0.4			±0.2			±0.4		%FS

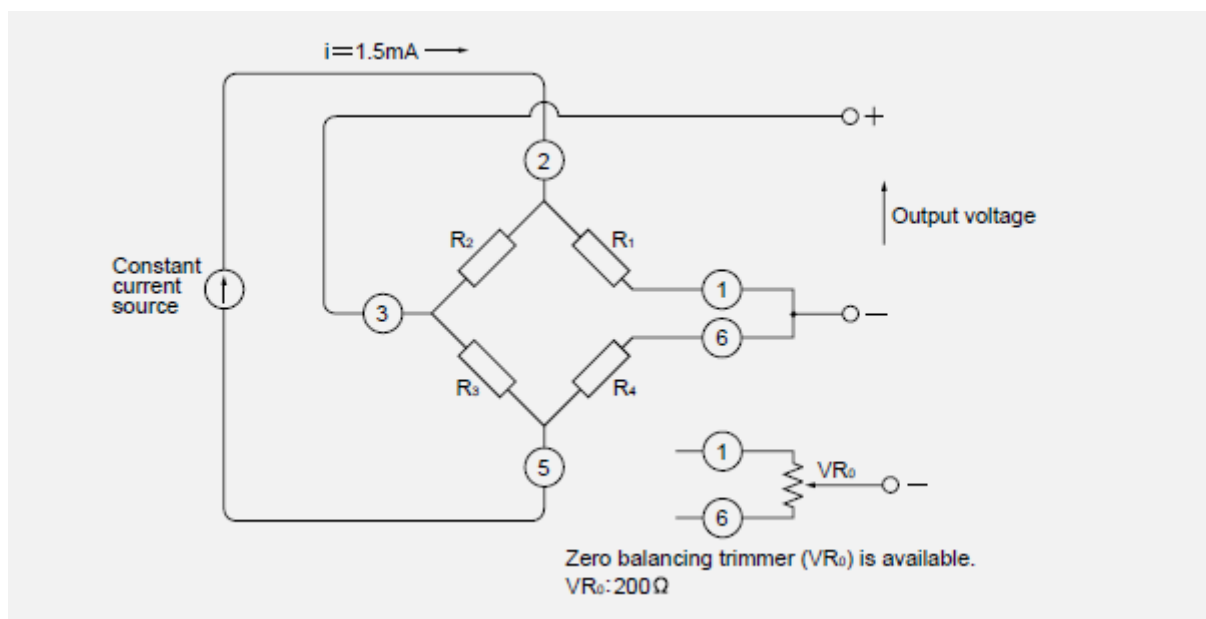
\*TSO: Temperature sensitivity of offset voltage

\*TCS: Temperature coefficient of output span voltage

\*Temperature range from 0-50 deg C



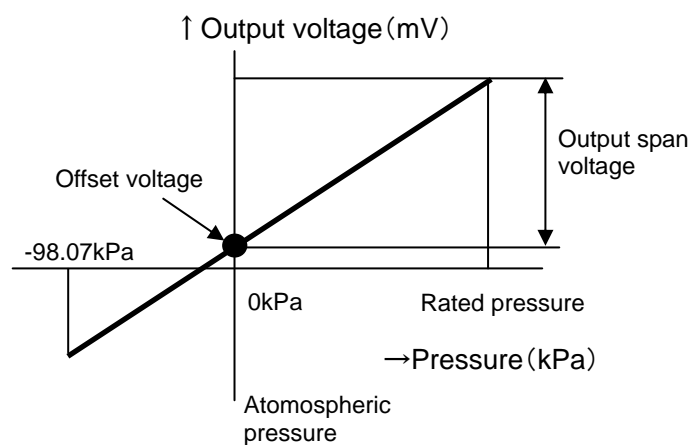
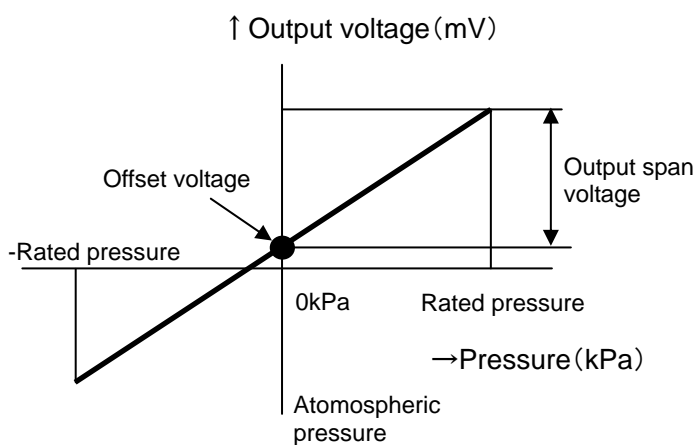
### ■ Connection diagram ■



### ■ Output characteristics ■

<302PG~307PG>  
<602PG~607PG>

<315PG~3120PG>  
<615PG~6120PG>



Note ; Please read instruction "Notes" before using the sensor.  
Fujikura reserves the right to change specifications without notice.

Please keep the sensors sealed using static shielding bags on storage. The pins of the sensor are plated by Ag. If the sensors expose to an atmosphere, the pins will be black by sulfuration.

Please set Zero-calibration function up your products. The offset voltage may be shifted some mechanical stress such as mounting, installation and etc. over longtime using.

If you have any questions regarding technical issues or specifications, please contact us.  
Sensor Engineering Department 5-1 Kiba 1-chome, Koto-ku, Tokyo 135-8512, Japan  
Phone +81-(0)3-5606-1072  
E-mail : [sensor@fujikura.co.jp](mailto:sensor@fujikura.co.jp)