

# E-Series RF 2:1 Transformer

## 50 - 1000 MHz

### ETC2-1T-2

V3.00

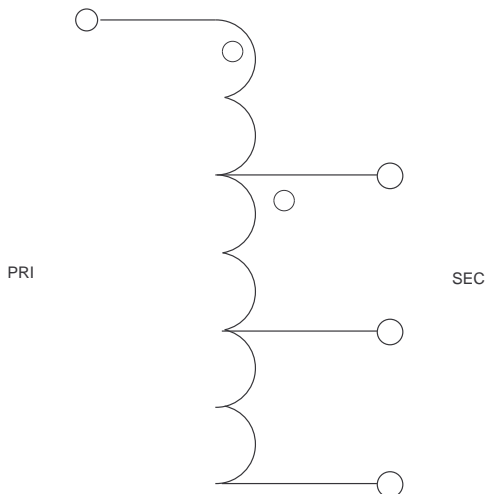
#### Features

- 2:1 Impedance Ratio
- CT on Secondary

#### Specifications @ 25°C

Frequency Range	50 - 1000 MHz
Insertion Loss	Maximum
50 - 1000 MHz	2 dB
Amplitude Imbalance	Maximum
50 - 1000 MHz	1.5 dB
Phase Imbalance	Maximum
50 - 1000 MHz	55°
50 - 500 MHz	30°

#### Schematic



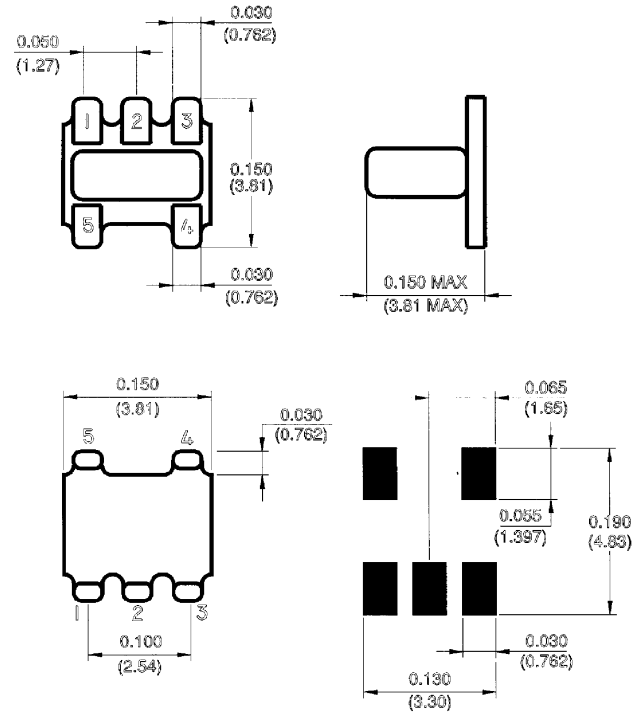
#### Ordering Information

<b>Part No.</b>	<b>Packaging</b>
ETC2-1T-2	Tubes
ETC2-1T-2TR	Tape & Reel

#### Absolute Maximum Ratings

Parameter	Absolute Maximum
RF Power	250 mW
DC Current	30 mA
Operating/Storage Temp.	-20°C to +85°C

#### SM-22



Dimensions in ( ) are in mm.  
 Unless Otherwise Noted: .x = ±0.04 (1.00)  
 .xx = ±0.02 (0.50)  
 .xxx = ±0.010 (0.250)

#### Pin Configuration

Function	Pin No.
Primary dot	4
Primary	2
Secondary dot	3
Secondary	1
Secondary CT	2
Not Connected	5

S1024 B

Specifications Subject to Change Without Notice.

**M/A-COM, Inc.**

North America: Tel. (800) 366-2266 ■ Asia/Pacific: Tel. +81 (03) 3226-1671 ■ Europe: Tel. +44 (1344) 869 595  
 Fax (800) 618-8883 Fax +81 (03) 3226-1451 Fax +44 (1344) 300 020