

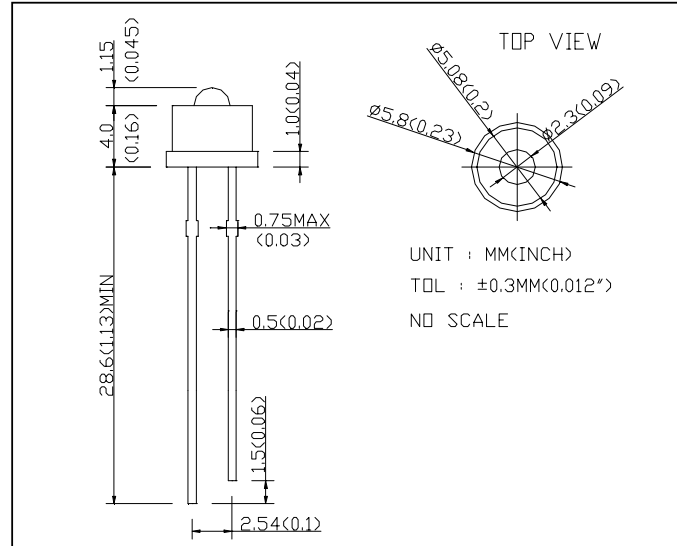
# MICRO ELECTRONICS

**MSD51TA-X**

HIGH  
BRIGHTNESS  
RED LED LAMP

## DESCRIPTION

MSD51TA-X are high brightness output red GaAlAs LED lamps encapsulated in a dot point, 2.3mm diameter clear transparent lens. 2 brightness grouping is provide for customer's selection.



## ABSOLUTE MAXIMUM RATINGS

Power Dissipation @ Ta=25°C	100mw
Forward Current, DC (IF)	40mA
Reverse Voltage	5V
Operating Temperature Range	-20 to +80°C
Storage Temperature Range	-30 to +100°C
Lead Soldering Temperature (1/16" from body)	260°C for 5 sec.

## ELECTRO-OPTICAL CHARACTERISTICS (Ta=25°C)

PARAMETER	SYMBOL	MIN	TYP	MAX	UNIT	CONDITIONS
Forward Voltage	VF		1.8	2.5	V	IF= 20mA
Reverse Breakdown Voltage	BVR	5			V	IR=100μA
Luminous Intensity MSD51TA-3	IV	140	280		mcd	IF= 20mA
Luminous Intensity MSD51TA-4	IV	650	1300		mcd	IF= 20mA
Peak Wavelength	λp		660		nm	IF= 20mA
Spectral Line Half Width	Δλ		20		nm	IF= 20mA
Viewing Angle	2θ 1/2		25		degree	IF= 20mA

REV : A



MICRO ELECTRONICS LTD.  
38, Hung To Road, Microtron Bulding, Kwun Tong, Kowloon, Hong Kong.  
Kwun Tong P.O. Box 69477 Hong Kong. Fax No. 2341 0321 Telex:43510 Micro Hx. Tel: 2343 0181-5

03/7/15