



AL330B
Digital LCD Display SOC
Flyer

Preliminary
Version 0.2

©2007~2009 by AverLogic Technologies, Corp.

INFORMATION FURNISHED BY AVERLOGIC IS BELIEVED TO BE ACCURATE AND RELIABLE. HOWEVER, NO RESPONSIBILITY IS ASSUMED BY AVERLOGIC FOR ITS USE, NOR FOR ANY INFRINGEMENTS OF PATENTS OR OTHER RIGHTS OF THIRD PARTIES THAT MAY RESULT FROM ITS USE. NO LICENSE IS GRANTED BY IMPLICATION OR OTHERWISE UNDER ANY PATENT OR PATENT OR PATENT RIGHTS OF AVERLOGIC.

Doc Number: 1-F-PMK333-0001

Amendments

Revision Date	Contents	Page
08.04.03	Preliminary Version 0.1	
09.03.20	Preliminary Version 0.2	2,3,4

Preliminary
Version

Disclaimer

THE CONTENTS OF THIS DOCUMENT ARE SUBJECT TO CHANGE WITHOUT NOTICE. AVERLOGIC TECHNOLOGIES RESERVES THE RIGHT TO MAKE CHANGES WITHOUT FURTHER NOTICE TO ANY PRODUCTS HEREIN TO IMPROVE RELIABILITY, FUNCTION OR DESIGN. AVERLOGIC DOES NOT ASSUME ANY LIABILITY ARISING OUT OF THE APPLICATION OR USE OF ANY PRODUCT OR CIRCUIT DESCRIBED HEREIN; NEITHER DOES IT CONVEY ANY LICENSE UNDER ITS PATENT RIGHTS, NOR THE RIGHTS OF OTHERS.

CUSTOMERS ARE ADVISED TO CONSULT WITH AVERLOGIC OR ITS COMMERCIAL DISTRIBUTORS BEFORE ORDERING.

1. FEATURES

◆ **Analog Input:**

Supports 9 analog video inputs
Supports CVBS, S-Video & YPbPr (480P/576P) inputs
Supports Analog RGB input
3-Ch, 10-bit ADC, AGC & ACC
Supports Auto Multi-Standard NTSC/PAL/SECAM mode detection
Adaptive 2D Comb-Filter video decoding for Y/C separation

◆ **Digital Input:**

Supports CCIR-656/YCbCr Digital Input

◆ **Video Processing & Scaler:**

Supports VBI decoding
Macrovision copy protection detection
Contrast/Brightness/Hue/Saturation adjustment
Sharpness adjustment for Edge Enhancement
Black Level Extension(BLE)
White Level Extension(WLE)
YCbCr to RGB Color Space Conversion
Programmable H/V up/down Scaling
4:3 to/from 16:9 conversion
Programmable 3-Channel Gamma Correction

◆ **OSD**

Built-in internal OSD 4K bytes of RAM for programmable OSD function
Supports up to 8 OSD colors
Supports OSD Blinking & Blending

Supports OSD X,Y mirror for rear view or flip down applications
Supports external OSD signals

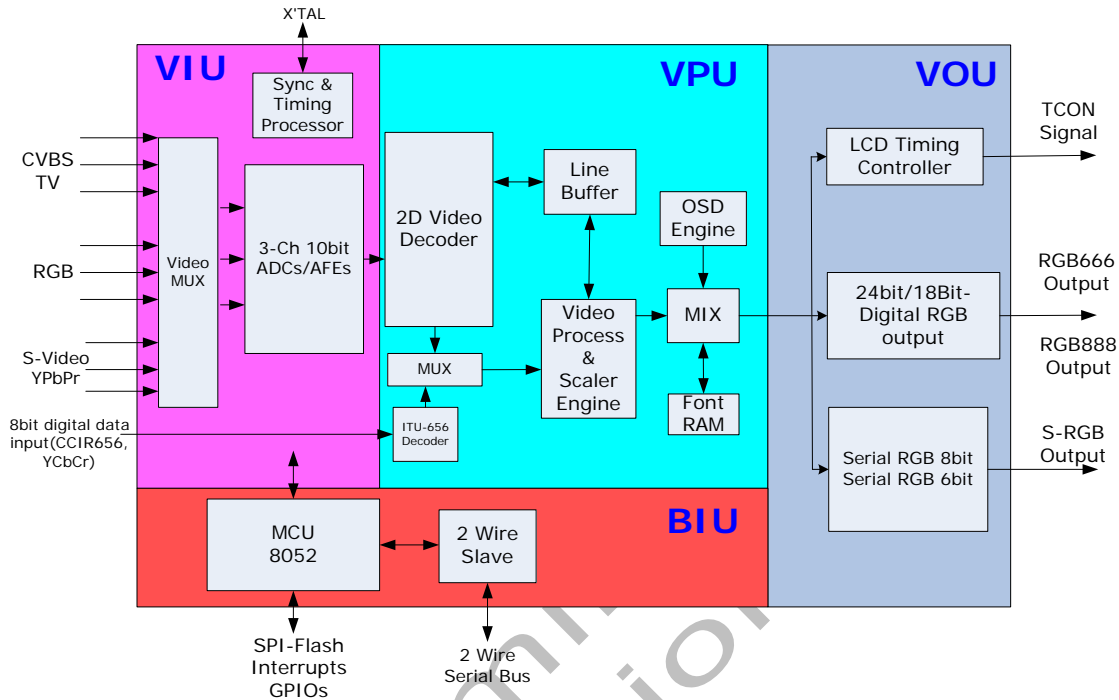
◆ **Digital Output & Tcon**

24-bit/18-bit/12-bit Digital RGB Output
Supports Digital LCD panels: 160*120, 320*240, 640*480, 800*480, 800*600 etc.
Programmable TCON for various Digital LCD panels
Supports Image Mirror and Flip functions
Supports Serial RGB format interface for LTPS Digital Panels (Such as Toppoly and AUO)
Supports AMOLED Panels (Such as CMEL)

◆ **Miscellaneous**

Built-in 8052 MCU and 1K byte internal SRAM
Dedicated UART & INT pins
Supports SPI-Flash and ISP (In-System Programming) function
Supports three PWM generators for general purpose control
Supports interrupt output pin for hardware mode detection
Built-in Test Pattern Generator (Color Bar, Grey Scale, etc.)
Low power design
128-pin LQFP 14 x 14 mm

2. FUNCTION BLOCK DIAGRAM



3. APPLICATIONS

- In-Car TV/GPS/Navigation & Entertainment Display System
- Video Door Phone, Baby Monitor, Digital Photo Frame etc.
- Small to Medium Multimedia TFT-LCD Display Monitor
- Portable TV/DTV(ATSC,DVB-T/-S)

4. ORDERING INFORMATION

Part number	Package	PB Free
AL330B-LF-PBF	128-pin LQFP (14x14mm)	Yes

Note: AverLogic Technologies PB-free products employ special PB-free material sets; molding compounds/die that attach materials and 100% matte tin plate termination do not use materials containing PBB, PBDE or red phosphorus for green-product chips. AverLogic's PB-free products are MSL classified at PB-free peak reflow temperatures that meet or exceed the PB-free requirements of IPC/JEDEC J Std-020C."